



KENNEDY VALVE

2”-12” Resilient Wedge Gate Valve Model KS RW C515 General Dimensions



AWWA

Note: 2” OS&Y Flanged and Threaded versions are UL Listed.

2”-3” sizes full wall ductile iron (per AWWA C509 dimensions).

All OS&Y Gates incorporate a pre-grooved stem for supervisory switch.

END CONNECTIONS	STEM TYPE	SIZE RANGE	FIGURE NO.	w/ POST PLATE	PAGE NO.
Flanged Ends	Non-Rising	2”-12”	7561SS	7701SS (3”-12”)	2, 3, 6
Mechanical Joint	Non-Rising	2”-12”*	7571SS	7071SS (3”-12”)	2, 3, 10
Flange x Mechanical Joint	Non-Rising	3”-12”	7572SS	7702SS (3”-12”)	2, 3, 11
Push-on for PVC (SDR)	Non-Rising	2”-8”	7597SS	7597PSS (3”-8”)	2, 3, 14
Flanged Ends	OS&Y	2”-12”	7068A	N/A	4, 5, 7
Mechanical Joint x Tap Ends	Non-Rising	4”-12”	7950SS	7950PSS	2, 3, 17
Push-on for D.I. & C900 PVC	Non-Rising	4”-12”	7901SS	7901PSS	2, 3, 12
M.J. Cutting-in	Non-Rising	4”-12”	7576SS	(Consult K.V.)	2, 3, 15
Push-on for D.I. x Fig.	Non-Rising	4”-12”	7902SS	7902PSS	2, 3, 13
Threaded	Non-Rising	2”-3”	7057SS	7057PSS (3” only)	2, 3, 16
Threaded	OS&Y	2”-3”	7067	N/A	4, 5, 20
Flange x Groove	OS&Y	2.5”-12”	7092ABF	N/A	4, 5, 8
Grooved Ends	OS&Y	2.5”-8”	7093ABF	N/A	4, 5, 9
Flange x Groove	Non-Rising	2.5”-12”	7592ABF	7592PABF	2, 3, 18
Grooved Ends	Non-Rising	2.5”-12”	7593ABF	7593PABF	2, 3, 19

*excludes 2½”

**SDR - Standard Dimension Ratio

SIZE RANGE	WATER WORKING PRESSURE PSI	SEAT TEST PSI	HYDROSTATIC SHELL TEST PSI
AWWA 2”-12”	250 Water Work	300	500
ULFM 2.5”-12”	200 Fire Protection	300	500

Available in either non-rising stem or outside screw & yoke.

ACCESSORIES

Indicator Posts	Floorstands (Non-Rising Stem)
“T” Handles”	Handwheels
Stem Guides	Extension Stems
2” Sq. Operating Nuts	Chain Wheels

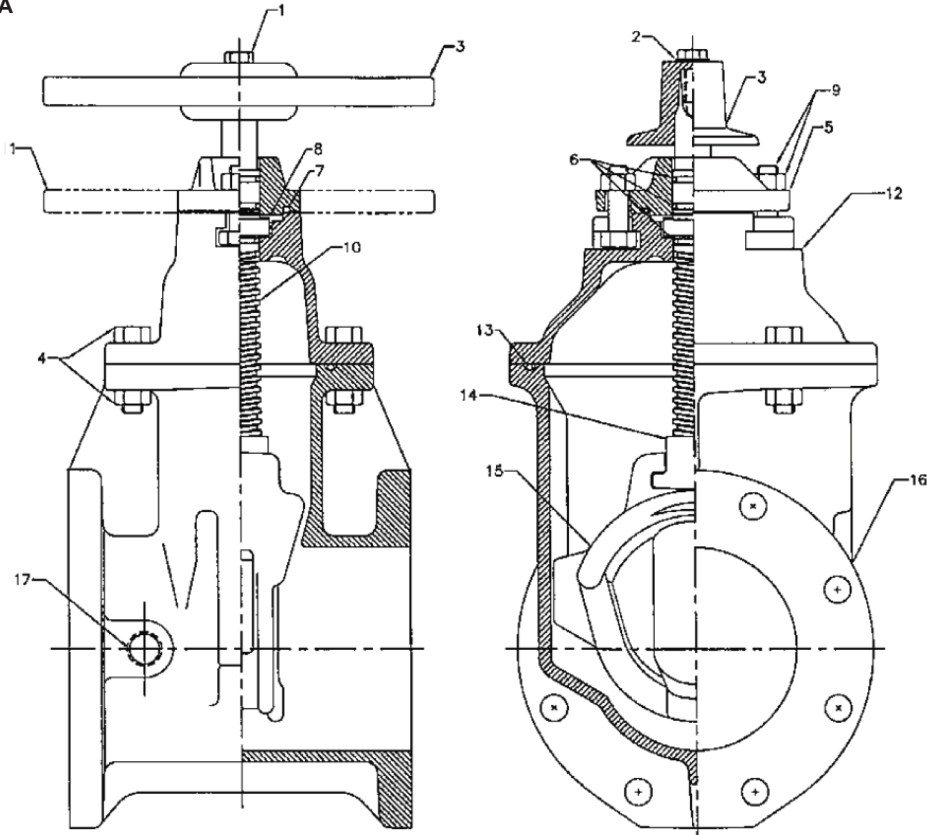


KENNEDY VALVE

**2"-12" Resilient Seated Gate Valve
KS RW Non-Rising C515
Flanged Ends
General Dimensions**



AWWA



ITEM	DESCRIPTION	MATERIAL	ASTM SPEC.
1	Hex Head Bolt	Stainless Steel	ASTM F593C
2	Flat Washer	Stainless Steel	ASTM F593C
3	Operating Nut or Handwheel	Cast Iron	ASTM A126 / A536
4	Hex Head Bolts & Nuts	Stainless Steel	ASTM F593 / F594
5	Stuffing Box	2"-12" Ductile Iron	ASTM A536 Grade 70-50-5
6	Stem O-Ring	EPDM	ASTM D2000
7	Stuffing Box O-Ring / Gasket	EPDM	ASTM D2000
8	Thrust Washer Gearing	Delrin	-----
9	Hex Head Bolts & Nuts	Stainless Steel	ASTM F593C / F594
10	Stem	Bronze	ASTM B584, C86700
11	Indicator Post Plate (Optional 3"-12")	Ductile Iron	ASTM A536 Grade 70-50-5
12	Cover	Ductile Iron	ASTM A536 Grade 70-50-5
13	Cover O-Ring	EPDM	-----
14	Stem Nut	Bronze (NDZ)	ASTM B763, C99500
15	Wedge (EPDM Encapsulated)	Ductile Iron	ASTM A536 Grade 70-50-5
16	Body - All Types	Ductile Iron	ASTM A536 Grade 70-50-5
17	Pipe Plug (1/2": 2-1/2" - 4", 3/4": 6"-12")	Galvanized Steel	-----



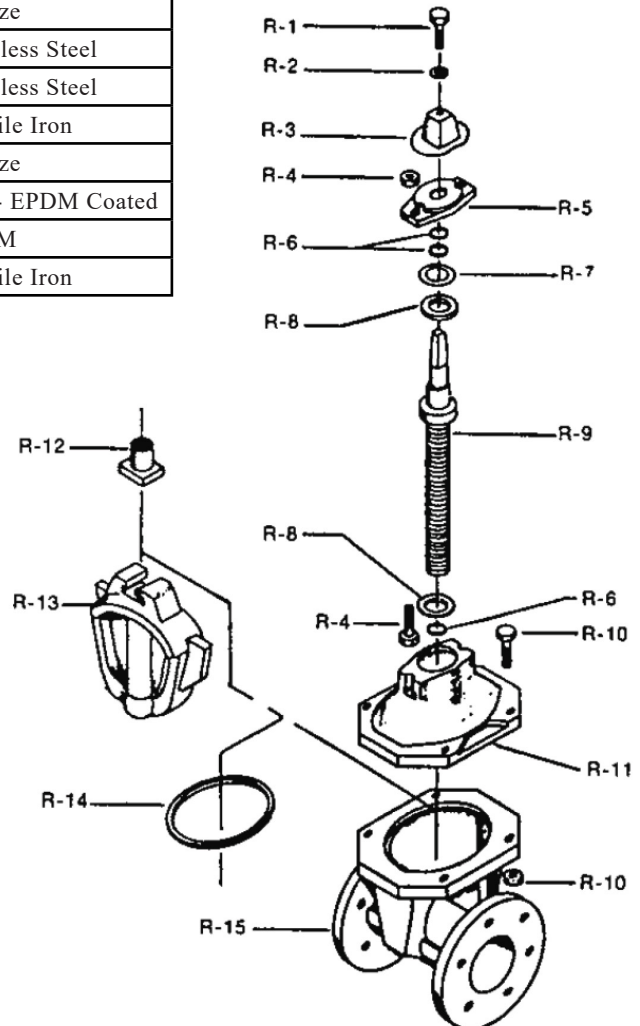
KENNEDY VALVE

2"-12" Resilient Seated Gate Valve KS RW Non-Rising C515 Assembly Explosion



AWWA

DET.	QTY.	DESCRIPTION	MATERIAL
R-1	1	Hold Down Hex Bolt	Stainless Steel
R-2	1	Hold Down Bolt Washer	Zinc Plated Steel
R-3	1	Sq. Operating Nut OR Handwheel (Not Shown)	Cast Iron
R-4	2	Bolt & Nut (Stuffing Box)	Stainless Steel
R-5	1	Stuffing Box (10" & 12" D.I.)	Ductile Iron
R-6	3	O-Ring (Stem) 1 Below Collar	EPDM
R-7	1	O-Ring (Stuffing Box)	EPDM
R-8	1	Thrust Washer (Sizes 2" - 2-1/2")	-----
	2	Thrust Washer (Sizes 3" - 12")	Delrin
R-9	1	Stem	Bronze
R-10	4	Cover Bolts & Nuts (Sizes 2" - 6")	Stainless Steel
	8	Cover Bolts & Nuts (Sizes 8" - 12")	Stainless Steel
R-11	1	Cover	Ductile Iron
R-12	1	Stem Nut	Bronze
R-13	1	Wedge Disc	D.I. - EPDM Coated
R-14	1	O-Ring (Cover)	EPDM
R-15	1	Body	Ductile Iron



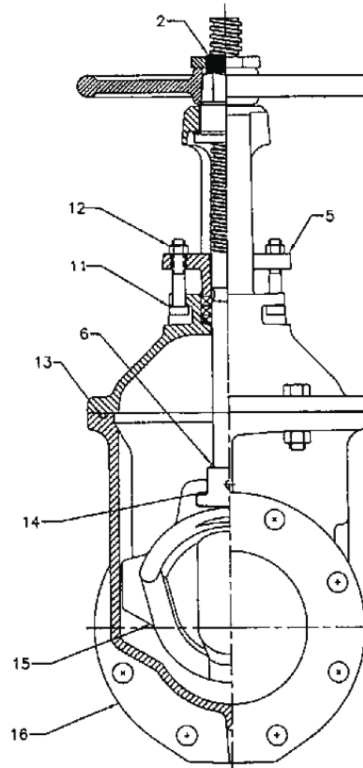
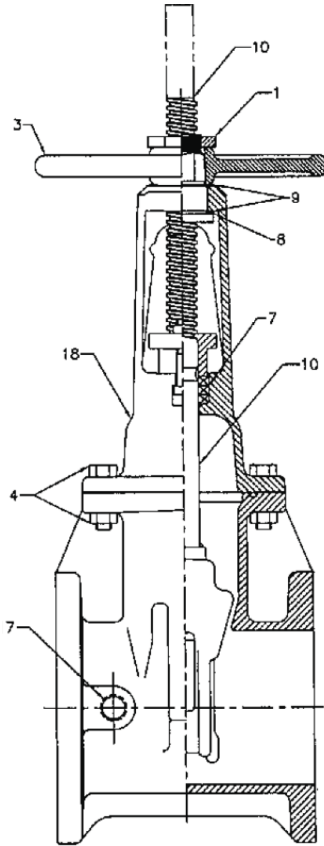


KENNEDY VALVE

2"-12" Resilient Seated Gate Valve KS RW OS&Y C515 Material List



AWWA



ITEM	DESCRIPTION	MATERIAL	ASTM SPEC.
1	Handwheel Nut	Bronze	ASTM B584 C87850 / C87610
2	Top Stem Nut	Bronze	ASTM B584 C86700
3	Handwheel	Ductile Iron	ASTM A536 Grade 65-45-12
4	Hex Head Bolts & Nuts	Zinc Plated Steel	Grade 2 SAE J429
5	Packing Gland	Ductile Iron	ASTM A536 70-50-5
6	Stem O-Ring	Buna N	ASTM D2000
7	Packing	Lubricated Fiber	-----
8	Thrust Washer Bearing	Nylatron	-----
9	Thrust Washer (1 only on 2"-4")	Bronze	ASTM B36 C260
10	Stem	Brass	ASTM B16 C36000
11	Packing Bolts	Zinc Plated Steel	Grade 2 SAE J429
12	Packing Bolt Nuts	Brass	ASTM F467
13	Cover O-Ring	Buna N	ASTM D2000
14	Stem (Pre-Grooved)	Stainless Steel	ASTM A276 Type 304
15	Wedge	D.I. EPDM Coated	ASTM A536 Grade 70-50-5
16	Body - All Types	Ductile Iron	ASTM A596 Grade 70-50-5
17	Pipe Plug (1/2": 2-1/2" - 4", 3/4": 6"-12")	Galvanized Steel	-----
18	Cover	Ductile Iron	ASTM A596 70-50-5

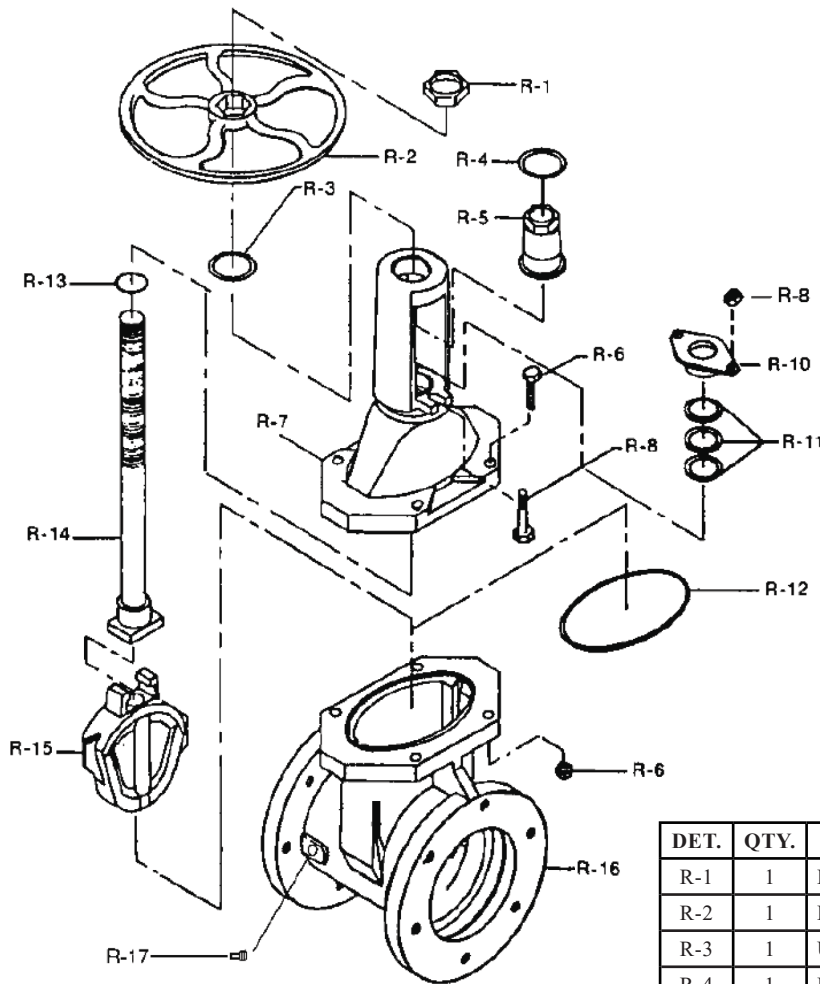


KENNEDY VALVE

2"-12" Resilient Seated Gate Valve KS RW OS&Y C515 Assembly Explosion



AWWA



DET.	QTY.	DESCRIPTION	MATERIAL
R-1	1	Handwheel Hold Down Nut	Bronze
R-2	1	Handwheel	Ductile Iron
R-3	1	Upper Thrust Washer (Sizes 3" - 12")	Bronze
R-4	1	Lower Thrust Washer	Bronze
R-5	1	Yoke Nut	Bronze
R-6	4	Cover Bolts & Nuts (Sizes 2-1/2" - 6")	Zinc Plated Steel
R-6	8	Cover Bolts & Nuts (Szes 8" - 12")	Zinc Plated Steel
R-7	1	Cover	Cast Iron
R-8	2	Packing Bolts	Zinc Plated Steel
R-8	2	Packing Bolt Nuts	Brass
R-10	1	Packing Gland	Ductile Iron
R-11		Packing	Sq. Braided Polymer
R-12	1	O-Ring (Cover)	Buna-N
R-13	1	O-Ring (Stem)	Buna-N
R-14	1	Stem - Pre-Grooved	Stainless
R-15	1	Wedge Disc	D.I. - EPDM Coated
R-16	1	Body	Ductile Iron
R-17	1	Pipe Plug	Low Carbon Steel

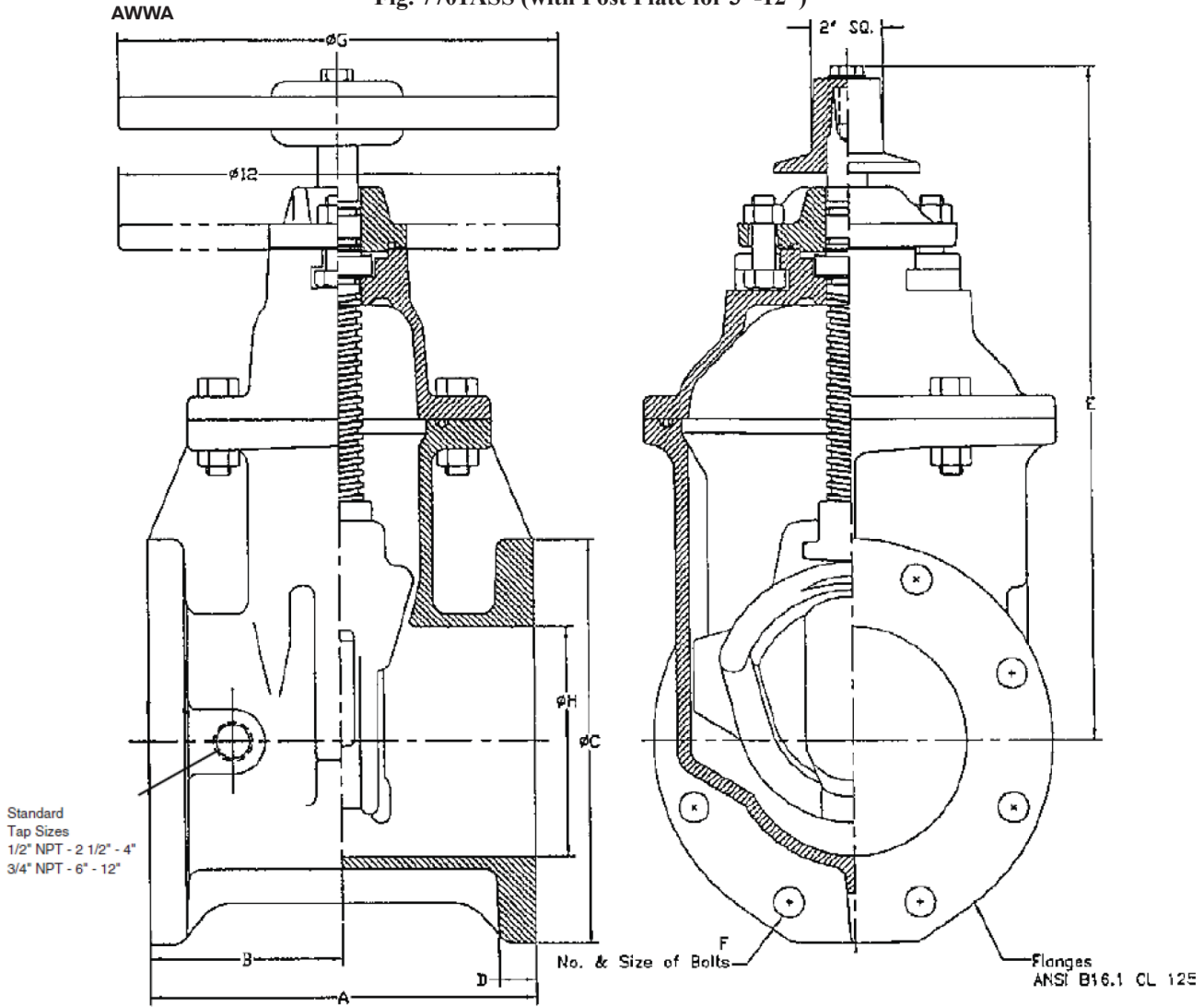


KENNEDY VALVE

**2"-12" Resilient Seated Gate Valve
KS RW Non-Rising C515
Flange Ends
General Dimensions**



Fig. 7561ASS (with Handwheel)
Fig. 7561ANSS (with Nut)
Fig. 7701ASS (with Post Plate for 3"-12")



* Face to face dimensions (inch) conform to ASME B16.10

ALL FLANGE VALVES ARE TAPPED & PLUGGED @ POSITION "A"

VALVE SIZE		A*		B		C		D		E		F		G		H		
inch	mm	inch	mm	inch	mm	inch	mm	inch	mm	inch	mm	#	inch	mm	inch	mm	inch	mm
2	50	7	178	3 1/2	89	6	150	5/8	16	10 7/8	276	4	5/8	16	7 1/4	184	2	50
2 1/2	60	7 1/2	191	3 3/4	95	7	180	1 1/16	17	11 3/8	289	4	5/8	16	7 1/4	184	2 1/2	60
3	80	8	203	4	102	7 1/2	190	3/4	19	12 3/8	314	4	5/8	16	10	254	3	80
4	100	9	229	4 1/2	114	9	230	15/16	24	14 3/4	375	8	5/8	16	10	254	4 1/4	110
6	150	10 1/2	267	5 1/4	133	11	280	1	25	19	483	8	3/4	19	12	305	6 1/4	160
8	200	11 1/2	292	5 3/4	146	13 1/2	340	1 1/8	29	22 1/2	572	8	3/4	19	14	356	8 1/4	210
10	250	13	330	6 1/2	165	16	410	1 3/16	30	26 1/2	673	12	7/8	22	18	457	10 1/4	260
12	300	14	356	7	178	19	480	1 1/4	32	30	762	12	7/8	22	18	457	12 1/4	310



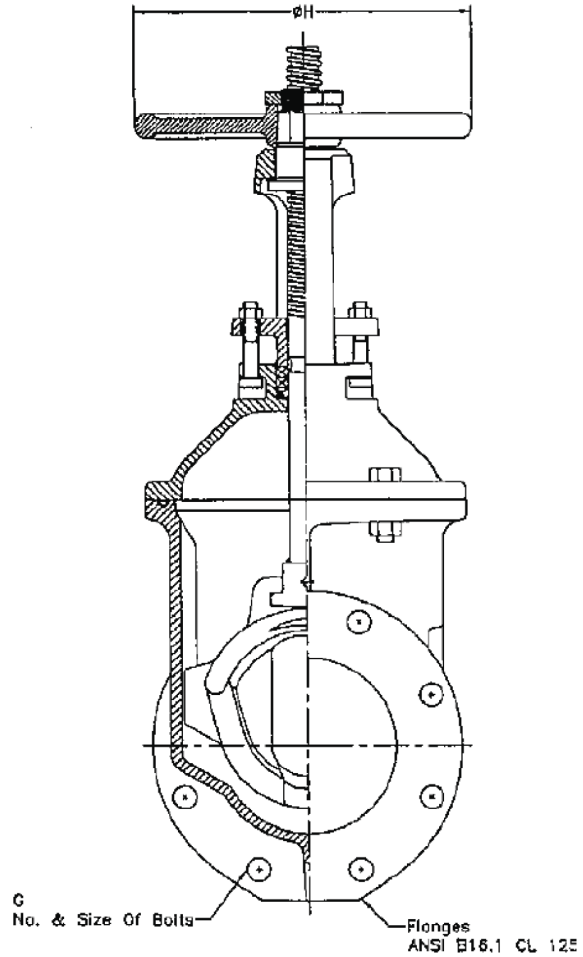
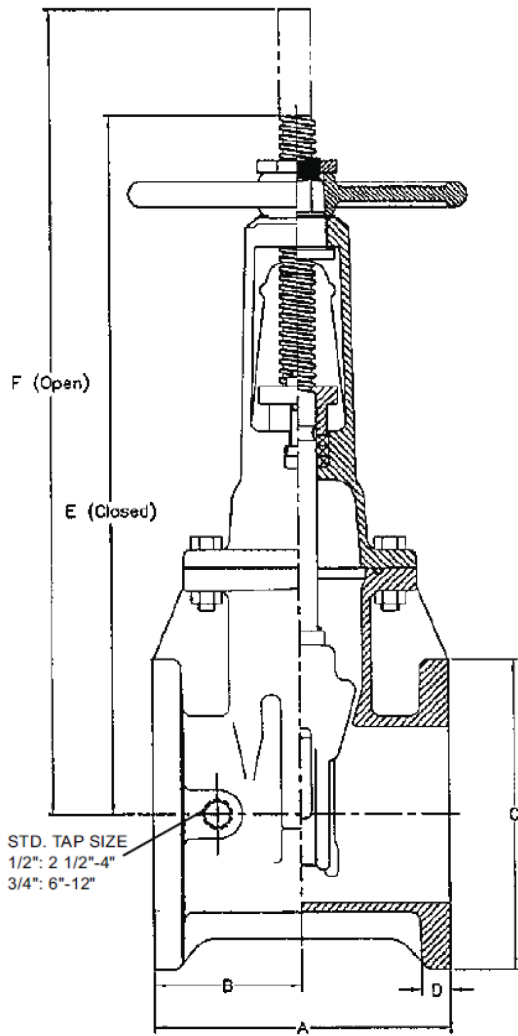
KENNEDY VALVE

2"-12" Resilient Seated Gate Valve KS RW OS&Y C515 Flange Ends General Dimensions



Fig. 7068A

AWWA



VALVE SIZE	A	B	C	D	E	F	G	H	WEIGHT
2	7	3 1/2	6	11/16	10	12	4 5/8	7 1/4	N/A
2 1/2	7 1/2	3 3/4	7	11/16	13 7/8	16 3/8	4 5/8	7 1/4	51
3	8	4	7 1/2	3/4	15 5/8	18 7/8	4 5/8	10	64
4	9	4 1/2	9	15/16	18 1/4	22 3/4	8 5/8	10	105
6	10 1/2	5 1/4	11	1	23 3/4	30 1/8	8 3/4	12	152
8	11 1/2	5 3/4	13 1/2	1 1/8	29 1/4	37 3/4	8 3/4	14	253
10	13	6 1/2	16	1 3/16	35 3/8	45 3/4	12 7/8	18	427
12	14	7	19	1 1/4	40 5/8	53 1/8	12 7/8	18	581



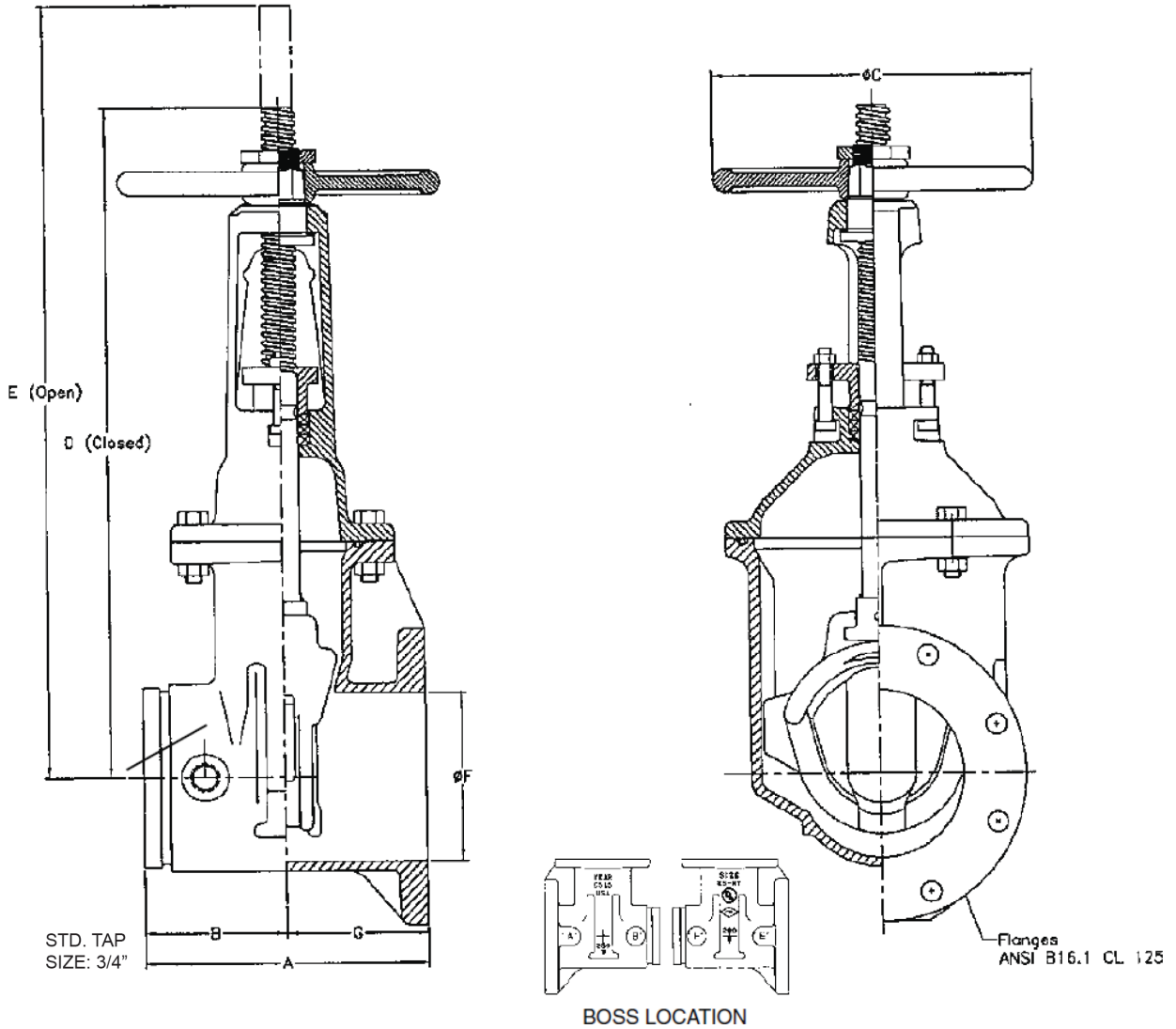
KENNEDY VALVE

2.5"-10" Resilient Seated Gate Valve KS RW OS&Y C515 Flange x Groove General Dimensions



Fig. 7092ABF

AWWA



VALVE SIZE	A	B	C	D	E	F	G
2 1/2	7 1/2	3 3/4	7 1/4	13 7/8	16 3/8	2 1/2	3 3/4
3	8	4	10	15 5/8	18 7/8	3	4
4	9	4 1/2	10	18 1/4	22 3/4	4 1/4	4 1/2
6	10 1/2	5 1/4	12	23 3/4	30 1/8	6 1/4	5 1/4
8	11 1/2	5 3/4	14	29 1/4	37 3/4	8 1/4	5 3/4
10	13	6 1/2	16	35 3/8	45 3/4	10 1/4	6 1/2



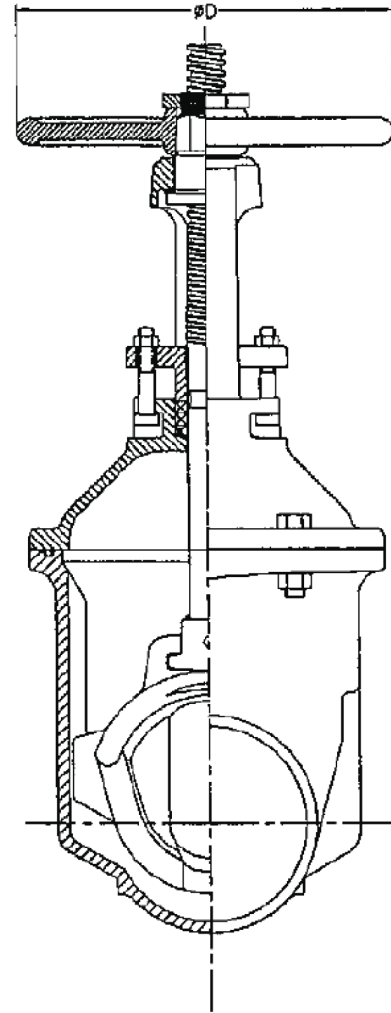
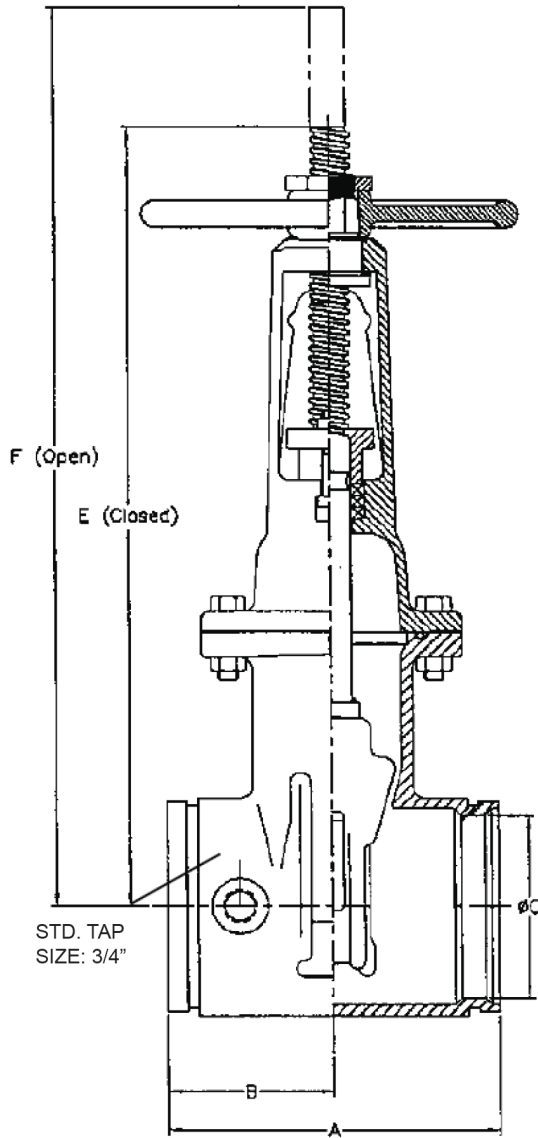
KENNEDY VALVE

2.5"-8" Resilient Seated Gate Valve
KS RW OS&Y C515
Groove Ends
General Dimensions

Fig. 7093A



AWWA



VALVE SIZE	A	B	C	D	E	F
2 1/2	7 1/2	3 3/4	1.97	7 1/4	13 7/8	16 3/8
3	8	4	2.63	10	15 5/8	18 7/8
4	9	4 1/2	3.75	10	18 1/4	22 3/4
6	10 1/2	5 1/4	5.80	12	23 3/4	30 1/8
8	11 1/2	5 3/4	7.67	14	29 1/4	37 3/4
10	13	6 1/2	9.80	16	35 3/8	45 3/4



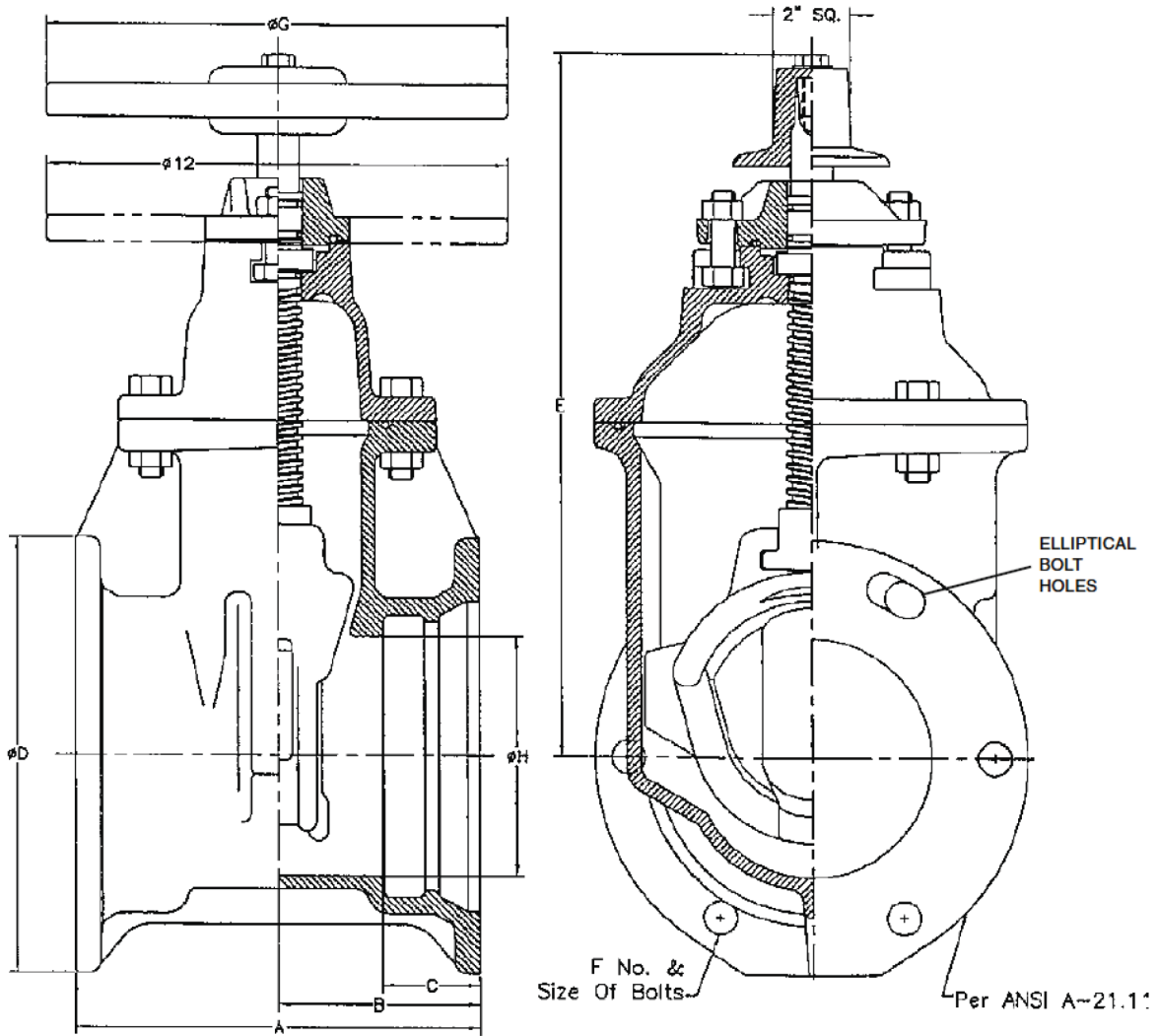
KENNEDY VALVE

**2"-12" Resilient Seated Gate Valve
KS RW Non-Rising C515
Mechanical Joint
General Dimensions**



Fig. 7571SS
Fig. 7071SS (with Post Plate for 3"-12")

AWWA



VALVE SIZE	A	B	C	D	E	F	G	H
2	8 1/4	4 1/8	2 1/2	4 1/2	10 7/8	2 5/8	7 1/4	2
2 1/2	---	---	---	---	---	---	---	---
3	8 1/2	4 1/4	2 1/2	7 3/4	12 3/8	4 5/8	10	3
4	9 1/2	4 3/4	2 1/2	9 1/8	14 3/4	4 3/4	10	4 1/4
6	10 1/2	5 1/4	2 1/2	11 1/8	19	6 3/4	12	6 1/4
8	13 1/8	6 9/16	2 1/2	13 3/4	22 1/2	6 3/4	14	8 1/4
10	15 1/2	7 3/4	2 1/2	15 3/4	26 1/2	8 3/4	18	10 1/4
12	16	8	2 5/8	18	30	8 3/4	18	12 1/4



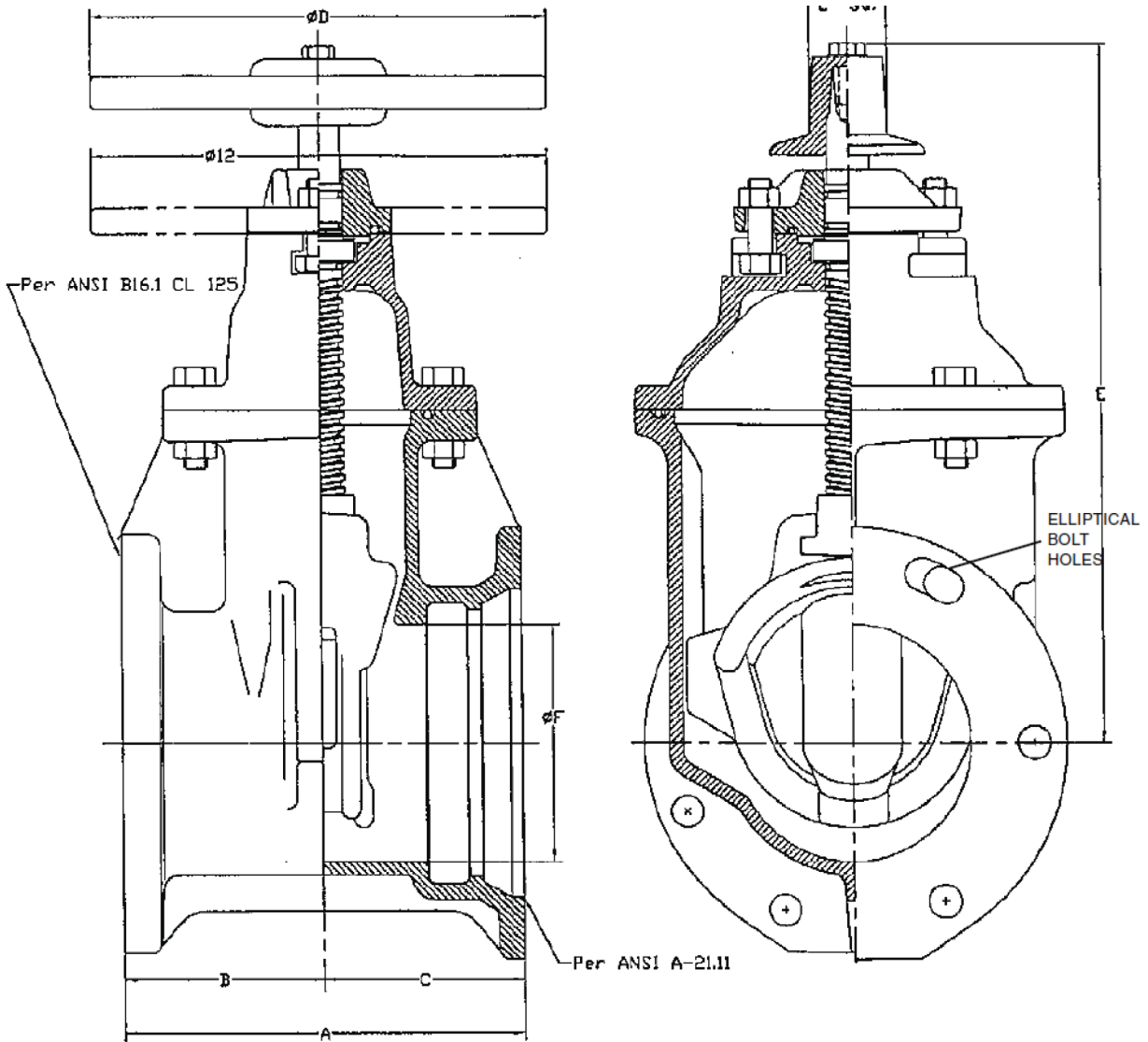
KENNEDY VALVE

3"-12" Resilient Seated Gate Valve KS RW Non-Rising C515 Flange x Mechanical Joint General Dimensions



Fig. 7572SS
Fig. 7702SS (with Post Plate)

AWWA



VALVE SIZE	A	B	C	D	E	F
3	8 ¼	4	4 ¼	10	12 ¾	3
4	9 ¼	4 ½	4 ¾	10	14 ¾	4 ¼
6	10 ½	5 ¼	5 ¼	12	19	6 ¼
8	12 ¾	5 ¾	6 ¼	14	22 ½	8 ¼
10	14 ¼	6 ½	7 ¾	18	26 ½	10 ¼
12	15	7	8	18	30	12 ¼



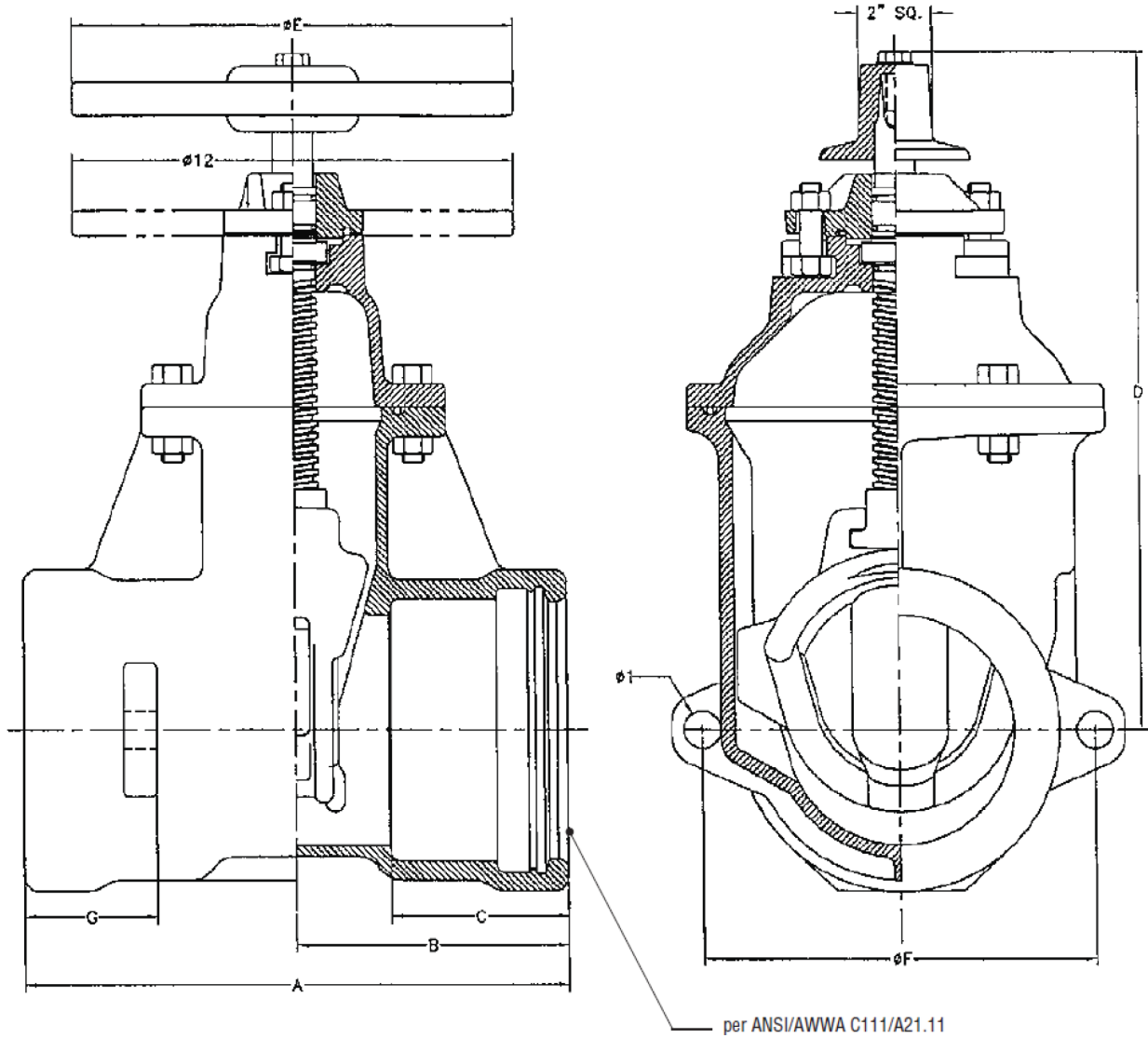
KENNEDY VALVE

4"-12" Resilient Seated Gate Valve KS RW Non-Rising C515 Tyton Ends General Dimensions



Fig. 7901SS
Fig. 7901PSS (with Post Plate)

AWWA



VALVE SIZE	A	B	C	D	E	F	G
4	13 1/4	6 5/8	4.34	14 3/4	10	8	3 5/8
6	14 3/4	7 3/8	4.75	19	12	10.68	3 5/8
8	17 1/8	8 7/16	5.70	22 1/2	14	12.56	4 5/8
10	19 3/8	9 1/16	6.19	26 1/2	18	15.44	4 7/8
12	20 7/8	10 7/16	6.19	30	18	17.94	4 7/8



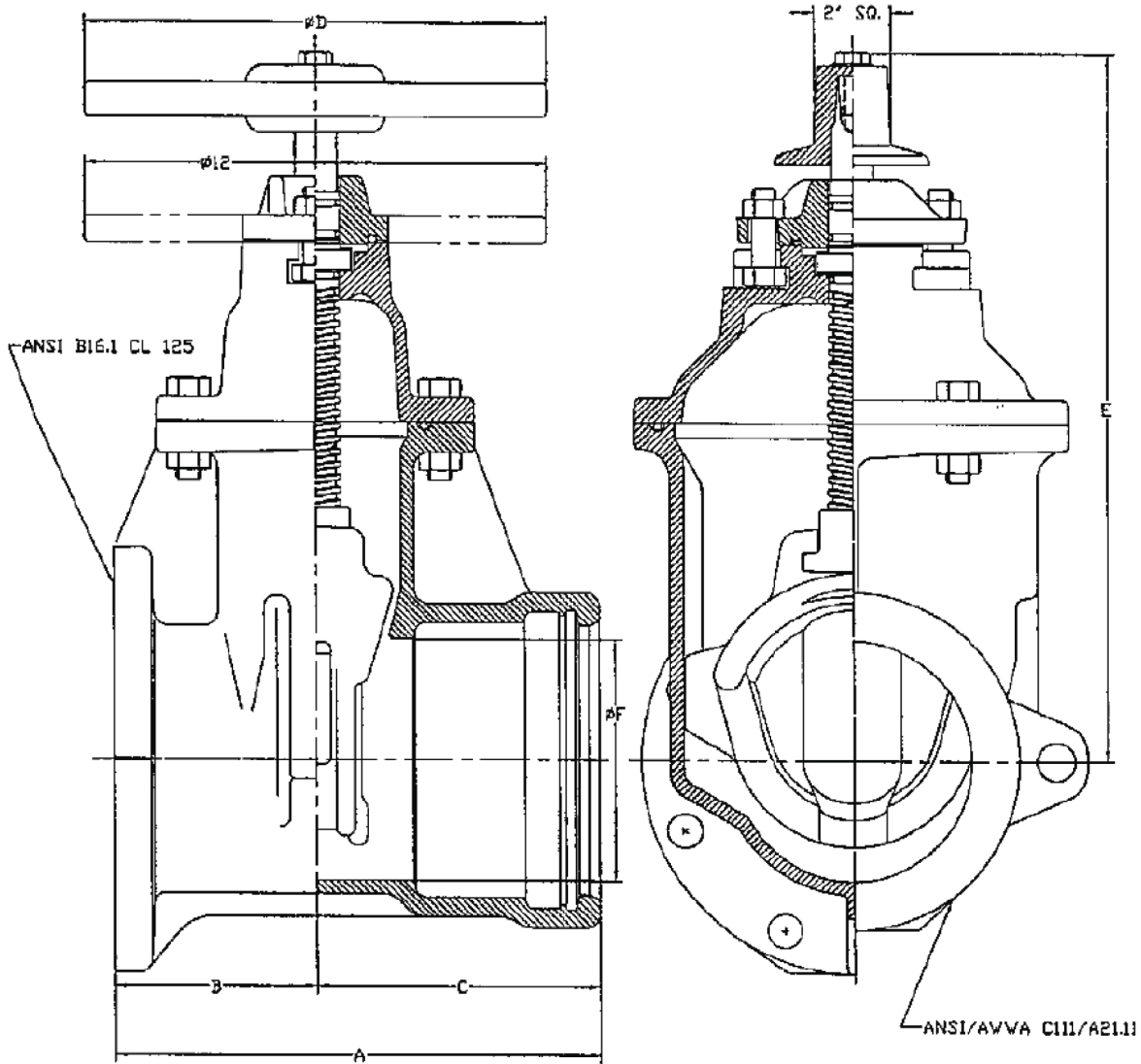
KENNEDY VALVE

4"-12" Resilient Seated Gate Valve KS RW Non-Rising C515 Flange x Tyton Ends General Dimensions



Fig. 7902SS
Fig. 7902PSS (with Post Plate)

AWWA



VALVE SIZE	A	B	C	D	E	F
3	8 1/4	4	4 1/4	10	12 3/8	3
4	11 1/8	4 1/2	6 5/8	10	14 3/4	4 1/4
6	12 5/8	5 1/4	7 3/8	12	19	8 1/4
8	14 5/16	5 3/4	8 9/16	14	22 1/2	8 1/4
10	16 3/16	6 1/2	9 11/16	18	26 1/2	10 1/4
12	17 7/16	7	10 7/16	18	30	12 1/4



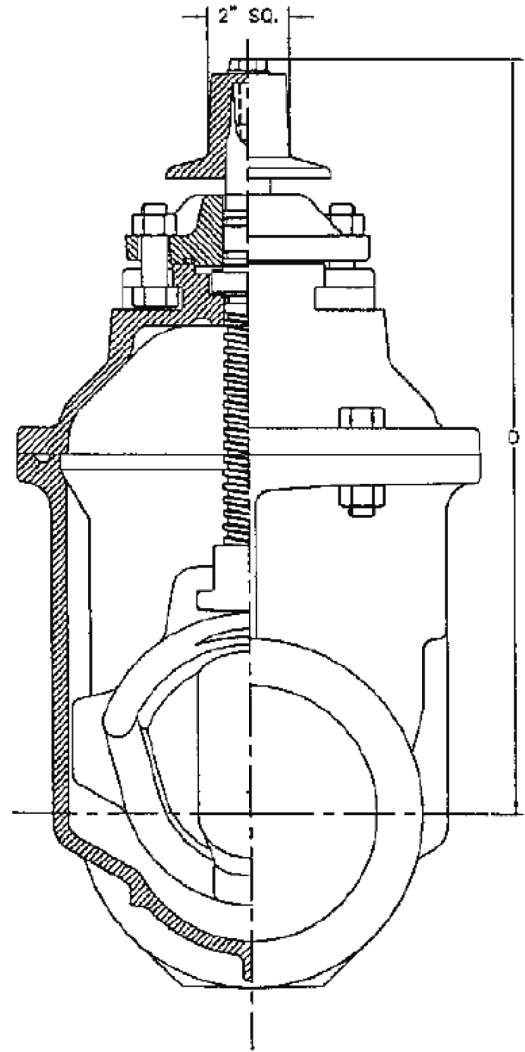
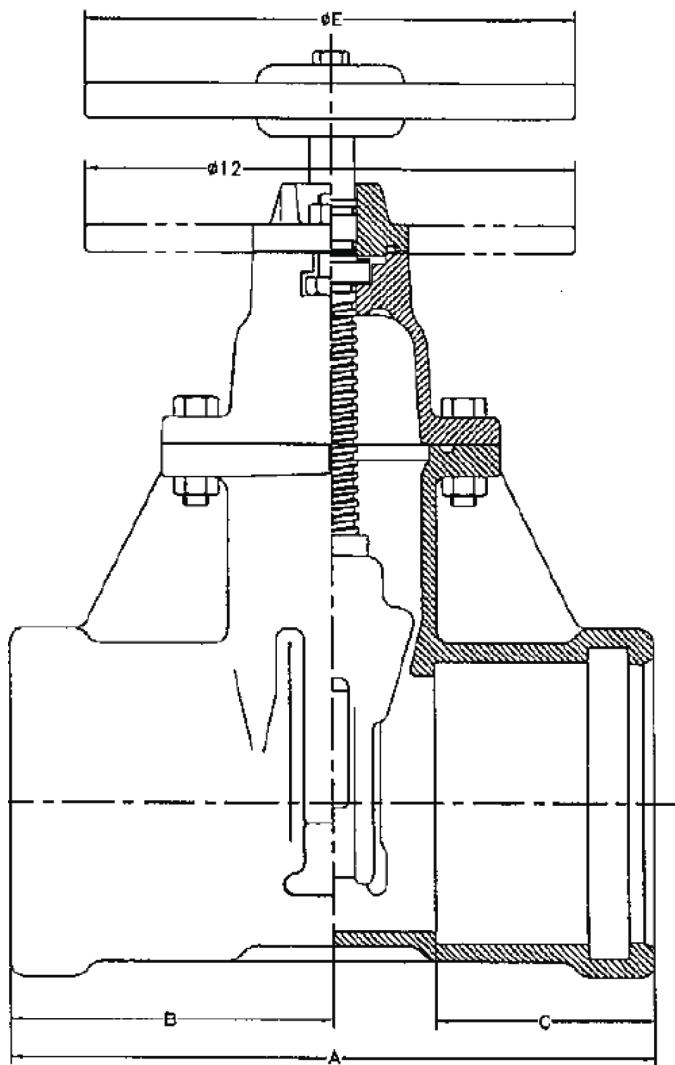
KENNEDY VALVE

2"-12" Resilient Seated Gate Valve KS RW Non-Rising C515 PVC Ends General Dimensions



Fig. 7597SS
Fig. 7597PSS (with Post Plate)

AWWA



VALVE SIZE	A	B	C	D	E
2	10	5	3 1/2	10 7/8	7 1/4
2 1/2	10 3/4	5 3/8	3 3/4	11 3/8	7 1/4
3	11 5/8	5 13/16	4 1/6	12 3/8	10
4	13 1/2	6 3/4	4 1/2	14 3/4	10
6	15 3/4	7 7/8	5 3/8	19	12
8	16 1/4	8 1/8	5 3/8	22 1/2	14



KENNEDY VALVE

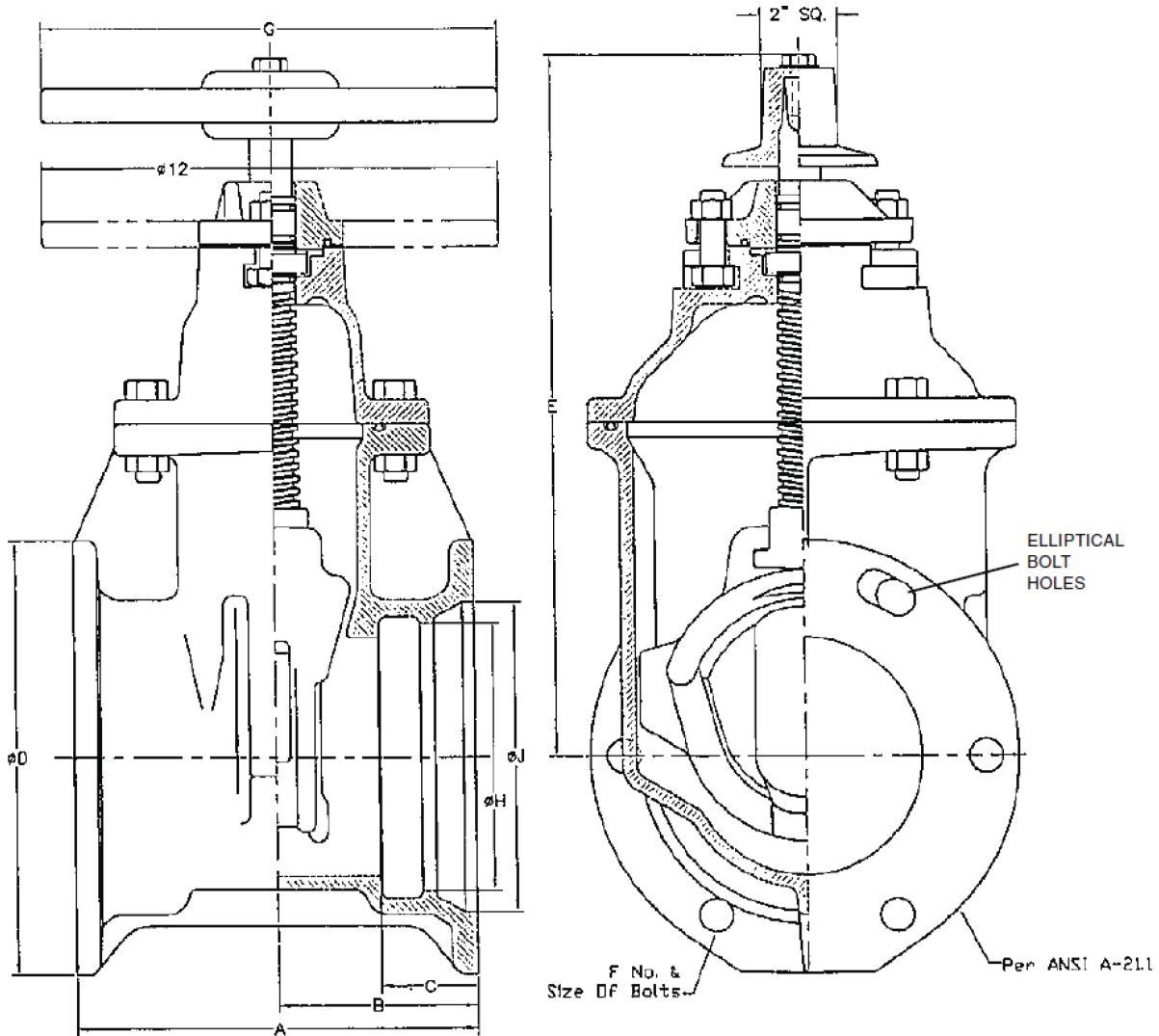
**2"-12" Resilient Seated Gate Valve
KS RW Non-Rising C515
Mechanical Cut Joint Ends
General Dimensions**



AWWA

Fig. 7576SS

Fig. 7576PSS (with Post Plate)



VALVE SIZE	A	B	C	D	E	F	G	H	J
4	9 1/2	4 3/4	2 1/2	9 1/8	14 3/4	4 3/4	10	5.10	6.20
6	10 1/2	5 1/4	2 1/2	11 1/8	19	6 3/4	12	7.20	8.30
8	13 1/8	6 1/16	2 1/2	13 3/4	22 1/2	6 3/4	14	9.40	10.50
10	15 1/2	7 3/4	2 1/2	15 3/4	26 1/2	8 3/4	18	11.50	12.62
12	16	8	2 5/8	18	30	8 3/4	18	13.60	14.74

ELLIPTICAL BOLT HOLE DESIGN ELIMINATES THE NEED FOR ANTI-ROTATIONAL BOLTS



KENNEDY VALVE

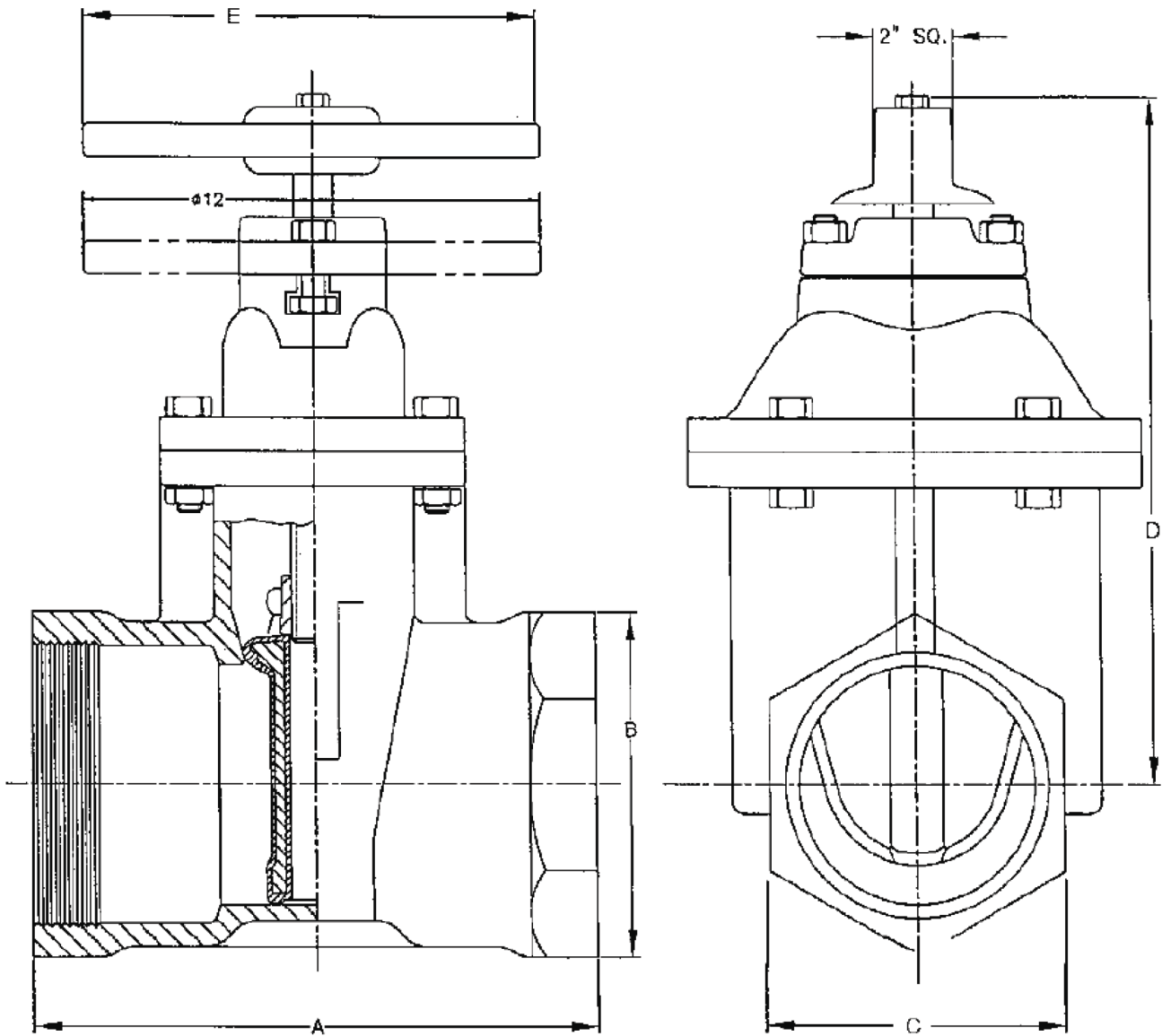
2"-3" Resilient Seated Gate Valve KS RW Non-Rising C515 Threaded Ends General Dimensions



Fig. 7057SS

Fig. 7057WSS (with Handwheel)

AWWA



VALVE SIZE	A	B	C	D	E
2	5 1/4	4 1/8	3 3/16	10 7/8	7 1/4
2 1/2	7	5 3/8	4 1/2	11 3/8	7 1/4
3	7 1/8	5 5/8	4 7/8	12 3/8	10



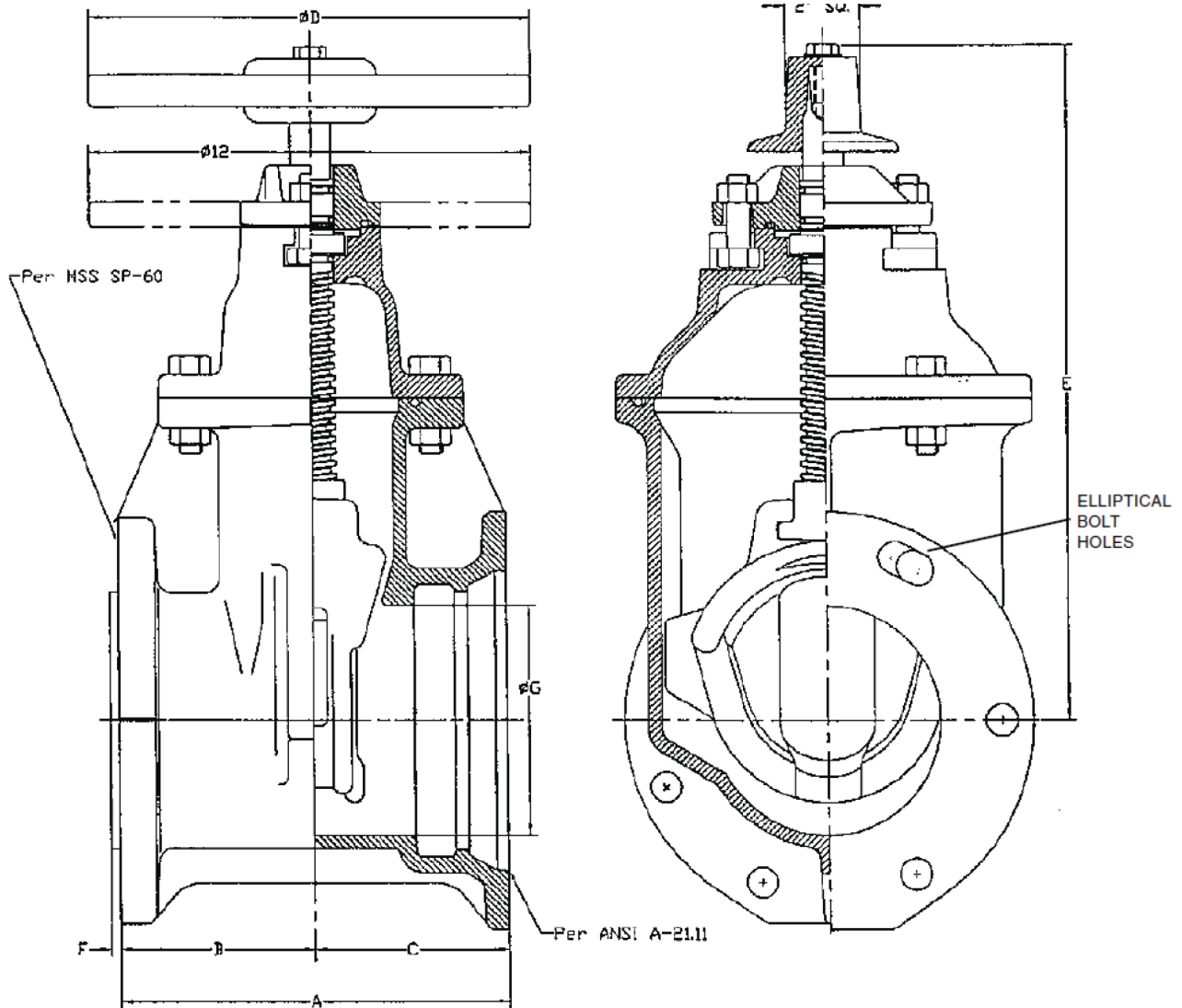
KENNEDY VALVE

3"-12" Resilient Seated Gate Valve KS RW Non-Rising C515 Tap x Mechanical Joint Ends General Dimensions



Fig. 7950SS
Fig. 7950PSS (with Post Plate)

AWWA



ELLIPTICAL BOLT HOLE DESIGN ELIMINATES THE NEED FOR ANTI-ROTATIONAL BOLTS

VALVE SIZE	A	B	C	D	E	F	G
4	9 1/2	4 1/2	4 3/4	10	14 3/4	3/16	4 1/4
6	10 1/2	5 1/4	5 1/4	12	19	1/4	6 1/4
8	13 1/4	5 3/4	7 1/2	14	22 1/2	1/4	8 1/4
10	14 1/4	6 1/2	7 3/4	18	26 1/2	1/4	10 1/4
12	15	7	8	18	30	1/4	12 1/4



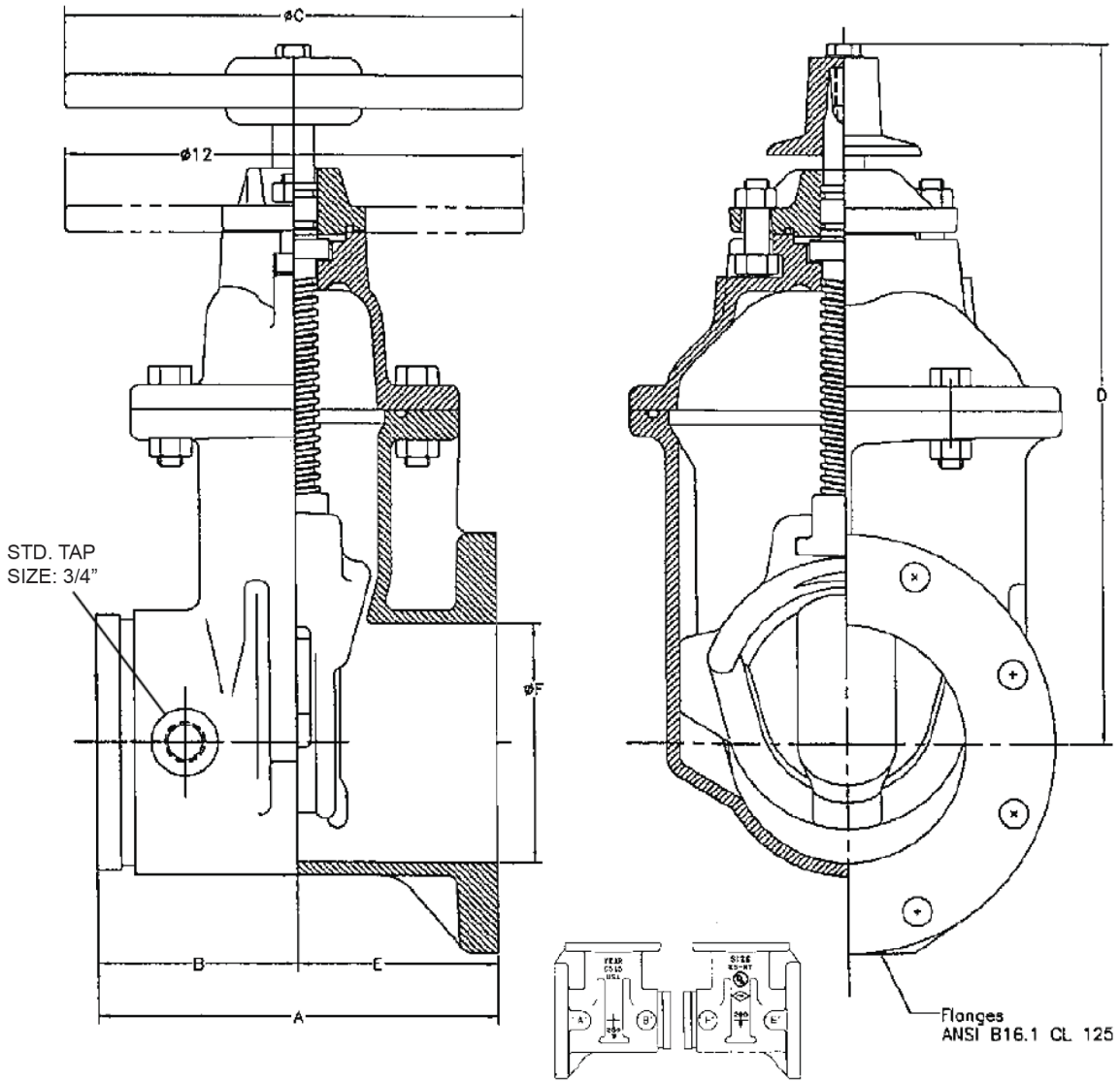
KENNEDY VALVE

2.5"-12" Resilient Seated Gate Valve
KS RW Non-Rising C515
Groove x Flange Ends
General Dimensions



Fig. 7592ABF
 Fig. 7592PABF

AWWA



GRV x FLG VALVES TAPPED & PLUGGED @ POSITION "A", "B", "F"

VALVE SIZE	A	B	C	D	E	F
2 1/2	7 1/2	3 3/4	7 1/4	11 3/8	3 3/4	2 1/2
3	8	4	10	12 3/8	4	3
4	9	4 1/2	10	14 3/4	4 1/2	4 1/4
6	10 1/2	5 1/4	12	19	5 1/4	6 1/4
8	11 1/2	5 3/4	14	22 1/2	5 3/4	8 1/4
10	13	6 1/2	18	26 1/2	6 1/2	10 1/4



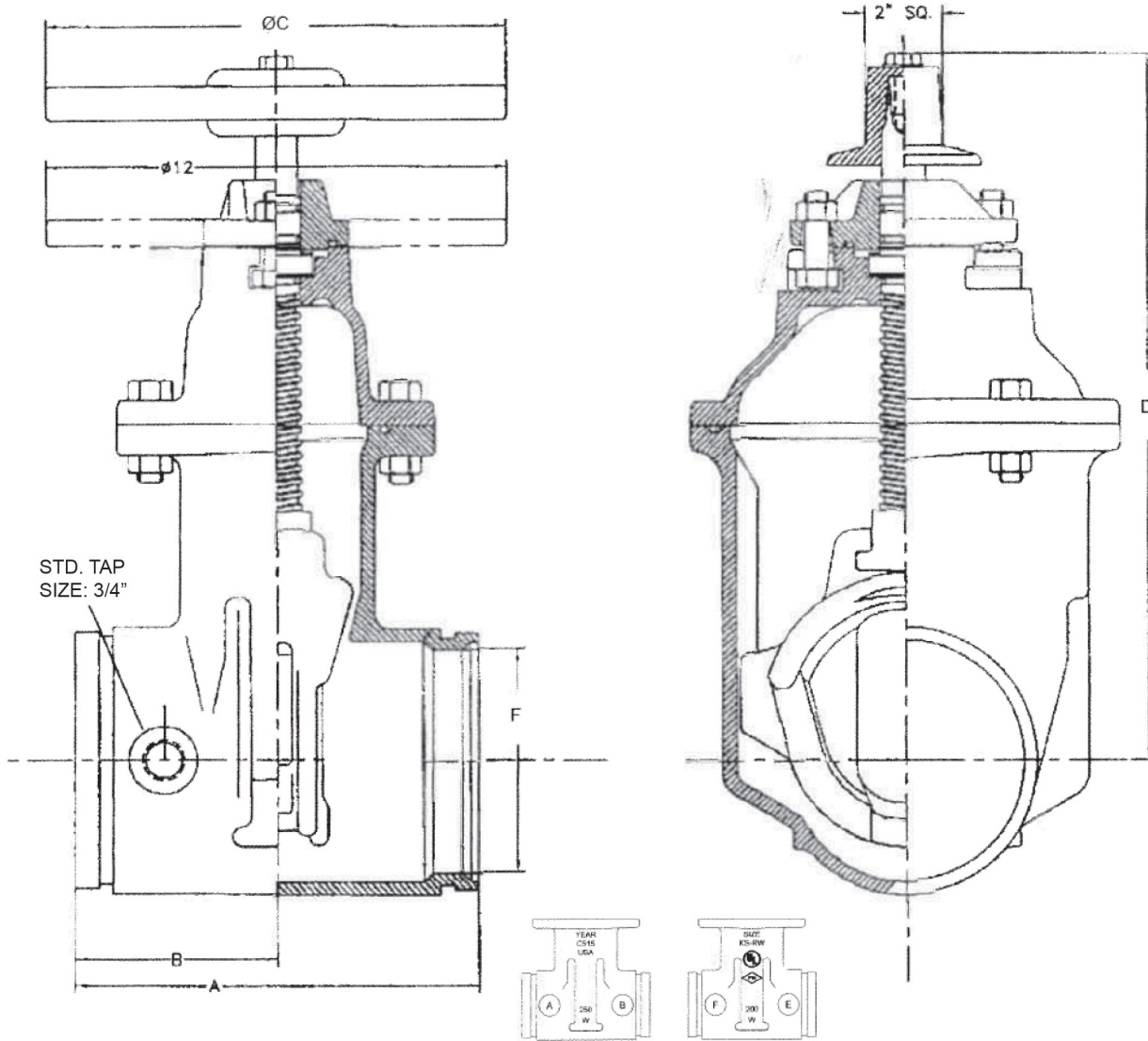
KENNEDY VALVE

2.5"-12" Resilient Seated Gate Valve
KS RW Non-Rising C515
Groove Ends
General Dimensions



AWWA

Fig. 7593ABF
 Fig. 7593PABF



GRV X GRV VALVES ARE TAPPED & PLUGGED @ POSITIONS A, B AND F

VALVE SIZE	A	B	C	D	F
2 1/2	7 1/2	3 3/4	7 1/4	10 7/8	1.97
3	8	4	10	12 3/8	2.63
4	9	4 1/2	10	14 3/4	3.75
6	10 1/2	5 1/4	12	19	5.80
8	11 1/2	5 3/4	14	22 1/2	7.67
10	13	6 1/2	18	26 1/2	9.80



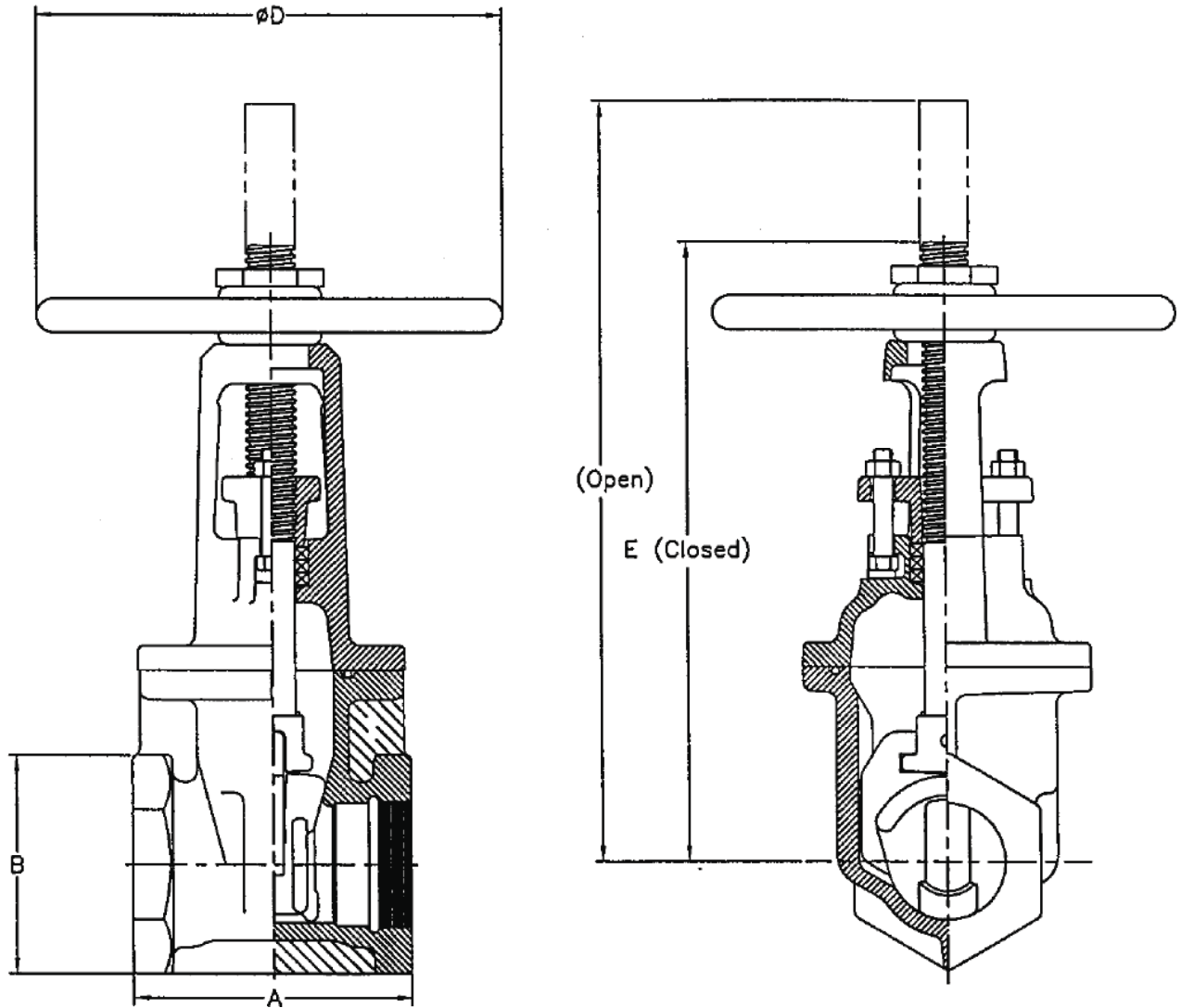
KENNEDY VALVE

2"-3" Resilient Seated Gate Valve KS RW OS&Y C515 Threaded Ends General Dimensions



Fig. 7067

AWWA



VALVE SIZE	A	B	D	E	F	WEIGHT
2	5 1/4	4 1/8	7 1/4	10	12	32
2 1/2	7	5 3/16	7 1/4	13 7/8	16 3/8	40
3	7 1/2	5 3/16	10	15 3/8	18 7/8	52