



KENNEDY VALVE

Division of McWane, Inc.
1021 EAST WATER STREET ELMIRA, NEW YORK 14901

30-48" RDGV
METAL-SEATED
ROTATING DISC
GATE VALVES

KENNEDY VALVE AWWA C500 Metal-Seated Gate Valves Meet or Exceed the Requirements of AWWA Standard C500

Size Range	Water Working Pressure (psi)	Seat Test Pressure (psi)	Hydrostatic Shell Test Pressure (psi)
*AWWA 3"-108"	250 Water Works	250	500

*Contact Kennedy Valve for sizes larger than 48".

Valves available in either NRS (non-rising stem) or OS&Y (outside screw & yoke).

(NRS) Available End Connections - 3"-108"

Flanged (Class 125)
Flanged (Class 250)
Mechanical Joint
FL x MJ

(OS&Y) Available End Connections - 3"-108"

Flanged (Class 125)
Flanged (Class 250)

(NRS) Standard Features Available - 14"-48"

Valve Orientation	Gearing	Bypass (16" Valves and Larger)	Flushing Ports
Vertical	Spur Gear	Side	Available for Vertical Valves
Horizontal	Bevel Gear	Bottom	Not Available

*Horizontal valves equipped with tracks and scrapers

(OS&Y) Standard Features Available - 14"-48"

Valve Orientation	Gearing	Bypass (16" Valves and Larger)	Flushing Ports
Vertical	Spur Gear	Side	Available for Vertical Valves
	Bevel Gear		

*Note: for valves larger than 12", customer must sign a bare stem waiver to purchase a valve without gearing.

**For more information about non-standard features or configurations, contact Kennedy Valve customer service.

Accessories Available

Handwheels	Floorstands
2" Square Operating Nuts	Extended Bonnets
Chainwheels	Extension Stems
	Stem Guides





KENNEDY VALVE

Division of McWane, Inc.
1021 EAST WATER STREET ELMIRA, NEW YORK 14901

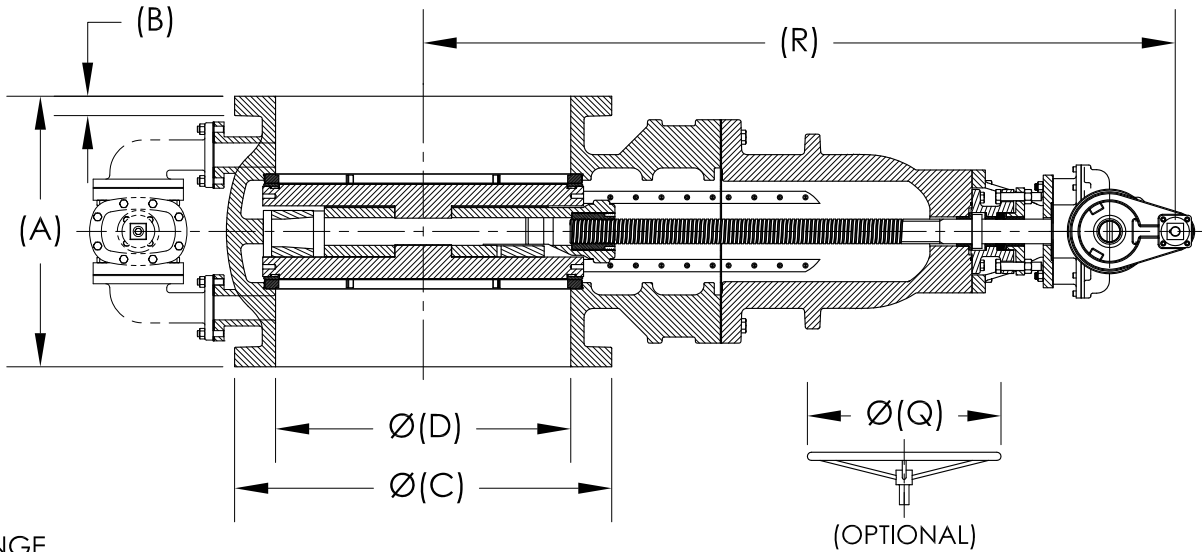
30-48" RDGV
METAL-SEATED
ROTATING DISC
GATE VALVES

Links to Catalog Sections

30-48"	NRS	FL x FL (Class 125)
		FL x FL (Class 250)
		MJ x MJ
		FL X MJ
	OS&Y	FL x FL (Class 125)
		FL x FL (Class 250)



Certified to
NSF/ANSI 61-G
NSF/ANSI 372



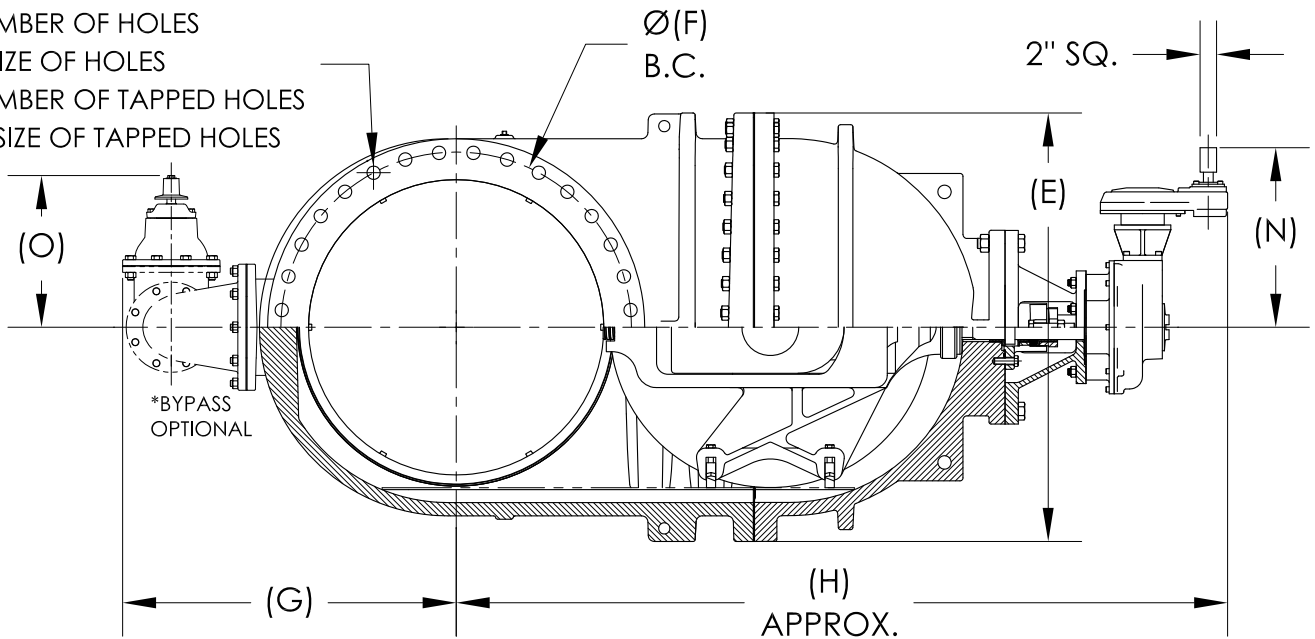
EACH FLANGE

(J) = NUMBER OF HOLES

Ø(K) = SIZE OF HOLES

(L) = NUMBER OF TAPPED HOLES

Ø(M) = SIZE OF TAPPED HOLES



NOTE1: 36" VALVE SHOWN

NOTE2: BOTTOM BYPASS OPTIONAL

SIZE Ø(D)	(A)	(B)	Ø(C)	(E)	Ø(F)	(G)	(H)	(J)	Ø(K)	(L)	Ø(M)	(N)	(O)	-	Ø(Q)	(R)	BYPASS SIZE	APPROX. WEIGHT	# OF TURNS AT GEAR*	RATIO (XXX:1)	GEAR
30.0	30.0	2.12	38.7	44.1	36.0	34.3	83.9	28	1 3/8	-	-	22.6	15.0	-	24.0	80.5	4	7700	1059	16.4	IB8/ AS5
36.0	33.0	2.38	46.0	52.3	42.8	40.7	95.1	30	1 5/8	2	1 1/2 - 6	24.4	18.5	-	32.0	91.7	6	12500	1877	24.6	IB11/ AS5
42.0	35.8	2.62	53.0	58.5	49.5	44.8	109.1	36	1 5/8	-	-	26.6	18.5	-	32.0	105.7	6	15931	2926	32.8	IB12/ AS5
48.0	40.0	2.76	59.5	69.0	56.0	52.3	126.8	44	1 5/8	-	-	30.7	21.9	-	32.0	123.5	8	22572	4987	48.8	IB13/ AS8

* ± 2% TURNS AT VALVE STEM.

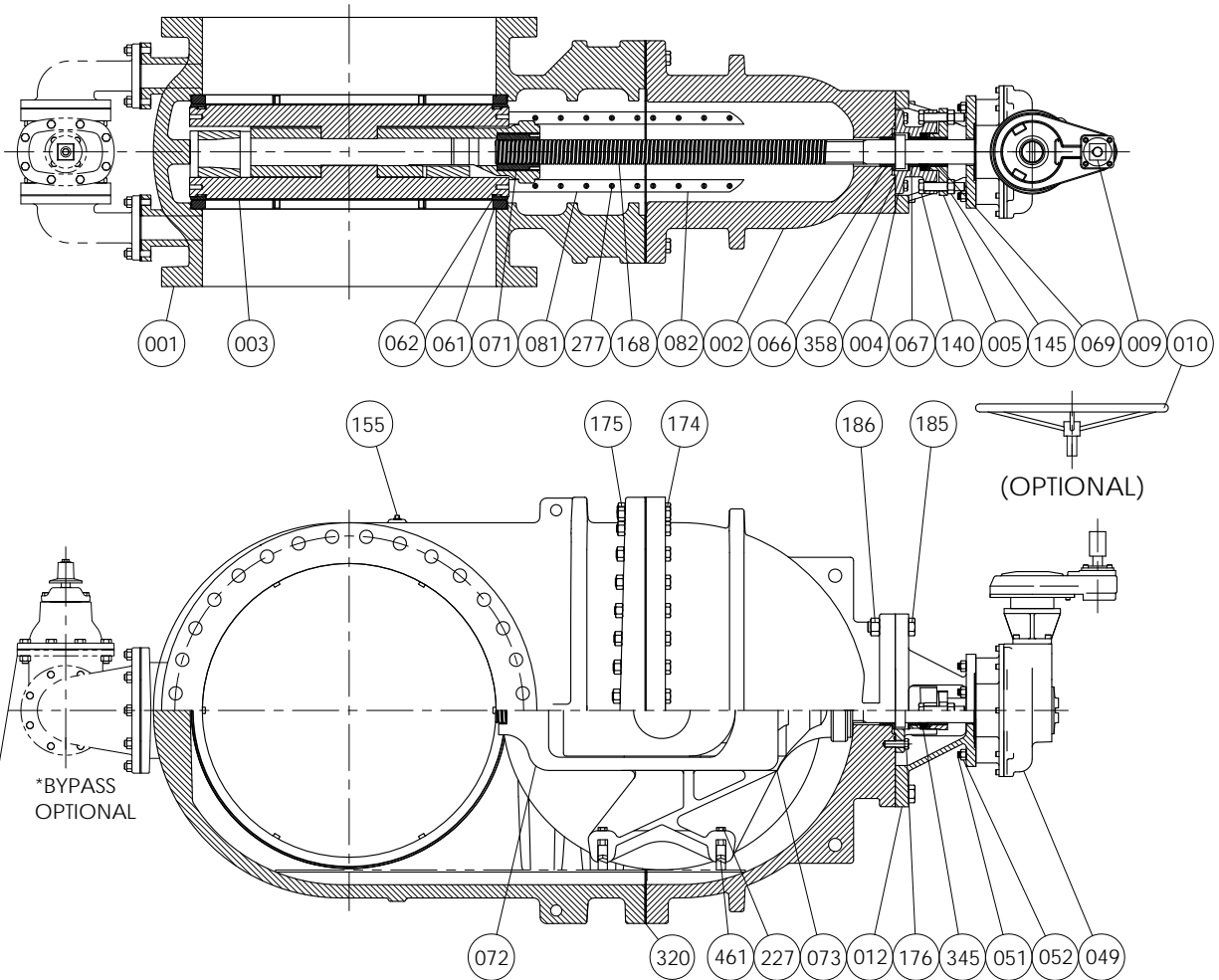


KENNEDY VALVE
Division of McWane, Inc.
1021 EAST WATER STREET ELMIRA, NEW YORK 14901

DWN: D SKAKAL
DATE: 6/15/17
DWG. NO.
CAT910C10125-01

TITLE:
SERIES 50 - ROTATING DISC GATE VALVE
30" - 48" - NRS
FL x FL - CL125 - BEVEL GEAR - GD
(BOTTOM BYPASS - OPTIONAL)

THIS DRAWING AND ALL INFORMATION IS KENNEDY VALVE PROPERTY AND SHALL NOT BE USED, COPIED, OR REPRODUCED WITHOUT WRITTEN CONSENT. DESIGN AND INVENTION RIGHTS RESERVED.



NO	DESCRIPTION	MATERIAL	ASTM DESIGNATION
001	BODY	DUCTILE IRON	A536 GRADE 65-45-12/ 70-50-05
002	BONNET	DUCTILE IRON	A536 GRADE 65-45-12/ 70-50-05
003	DISC	DUCTILE IRON	A536 GRADE 65-45-12/ 70-50-05
004	PACKING BOX	DUCTILE IRON	A536 GRADE 65-45-12/ 70-50-05
005	PACKING GLAND	DUCTILE IRON	A536 GRADE 65-45-12/ 70-50-05
009	2" SQ. OP. NUT (STANDARD)	CARBON STEEL	A36
010	HANDWHEEL (OPTIONAL)	STEEL	-
012	STAND	DUCTILE IRON	A536 GRADE 65-45-12/ 70-50-05
049	BEVEL GEAR	-	-
051	GEAR STUD (STANDARD)	STAINLESS STEEL	F593 S30400
	GEAR STUD (OPTION)	STAINLESS STEEL	F593 S31600
052	GEAR NUT (STANDARD)	STAINLESS STEEL	F594 S30400
	GEAR NUT (OPTION)	STAINLESS STEEL	F594 S31600
061	BODY SEAT RING (STANDARD)	BRONZE	B148 C95400
	BODY SEAT RING (OPTION)	BRONZE	B62 C83600
062	DISC SEAT RING	BRONZE	B62 C83600
066	BONNET BUSHING	BRONZE	B505 C95400
067	PACKING BOX BUSHING	BRONZE	B505 C95400
069	GLAND BUSHING	BRONZE	B505 C95400
071	STEM NUT	BRONZE	B505 C95400
072	LOWER WEDGE	DUCTILE IRON	A536 GRADE 65-45-12/ 70-50-05
073	UPPER WEDGE	DUCTILE IRON	A536 GRADE 65-45-12/ 70-50-05
081	BODY GUIDE	BRONZE	B505 C95400
082	BONNET GUIDE	BRONZE	B505 C95400
140	GLAND BOLT (STANDARD)	STAINLESS STEEL	F593 S30400
	GLAND BOLT (OPTION)	STAINLESS STEEL	F593 S31600

NO	DESCRIPTION	MATERIAL	ASTM DESIGNATION
145	GLAND HEX NUT	BRONZE	F467 C65100
155	PIPE PLUG (STANDARD)	STAINLESS STEEL	TYPE 304
	PIPE PLUG (OPTION)	STAINLESS STEEL	TYPE 316
168	STEM (STANDARD)	STAINLESS STEEL	A276 S30400
	STEM (OPTION)	STAINLESS STEEL	A276 S31600
174	BONNET HEX BOLT (STANDARD)	STAINLESS STEEL	F593 S30400
	BONNET HEX BOLT (OPTION)	STAINLESS STEEL	F593 S31600
175	BONNET HEX NUT (STANDARD)	STAINLESS STEEL	F594 S30400
	BONNET HEX NUT (OPTION)	STAINLESS STEEL	F594 S31600
176	PACKING BOX HEX BOLT (STANDARD)	STAINLESS STEEL	F593 S30400
	PACKING BOX HEX BOLT (OPTION)	STAINLESS STEEL	F593 S31600
185	STAND HEX BOLT (STANDARD)	STAINLESS STEEL	F593 S30400
	STAND HEX BOLT (OPTION)	STAINLESS STEEL	F593 S31600
186	STAND HEX NUT (STANDARD)	STAINLESS STEEL	F594 S30400
	STAND HEX NUT (OPTION)	STAINLESS STEEL	F594 S31600
227	SCRAPER BOLT (STANDARD)	STAINLESS STEEL	F593 S30400
	SCRAPER BOLT (OPTION)	STAINLESS STEEL	F593 S31600
277	FLAT HEAD SCREW (STANDARD)	STAINLESS STEEL	TYPE 304
	FLAT HEAD SCREW (OPTION)	STAINLESS STEEL	TYPE 316
320	BONNET GASKET	GARLOCK BLUE-GUARD 3200	F104
345	PACKING (STANDARD)	GARLOCK	STYLE 18
	O-RING SLEEVE (OPTION)	ALUMINUM BRONZE	B505 C95400
358	PACKING BOX O-RING	RUBBER (BUNA-N)	D2000
461	MUD SCRAPERS	BRONZE	B148 C95400
500	BYPASS VALVE*	-	-

NOTE: O-RING SLEEVE OPTION AVAILABLE FOR 30" - 36" VALVES ONLY

*SEE SEPARATE CATALOG PAGE FOR BYPASS DETAILS



KENNEDY VALVE
Division of McWane, Inc.
1021 EAST WATER STREET ELMIRA, NEW YORK 14901

DWN: D SKAKAL

DATE: 6/15/17

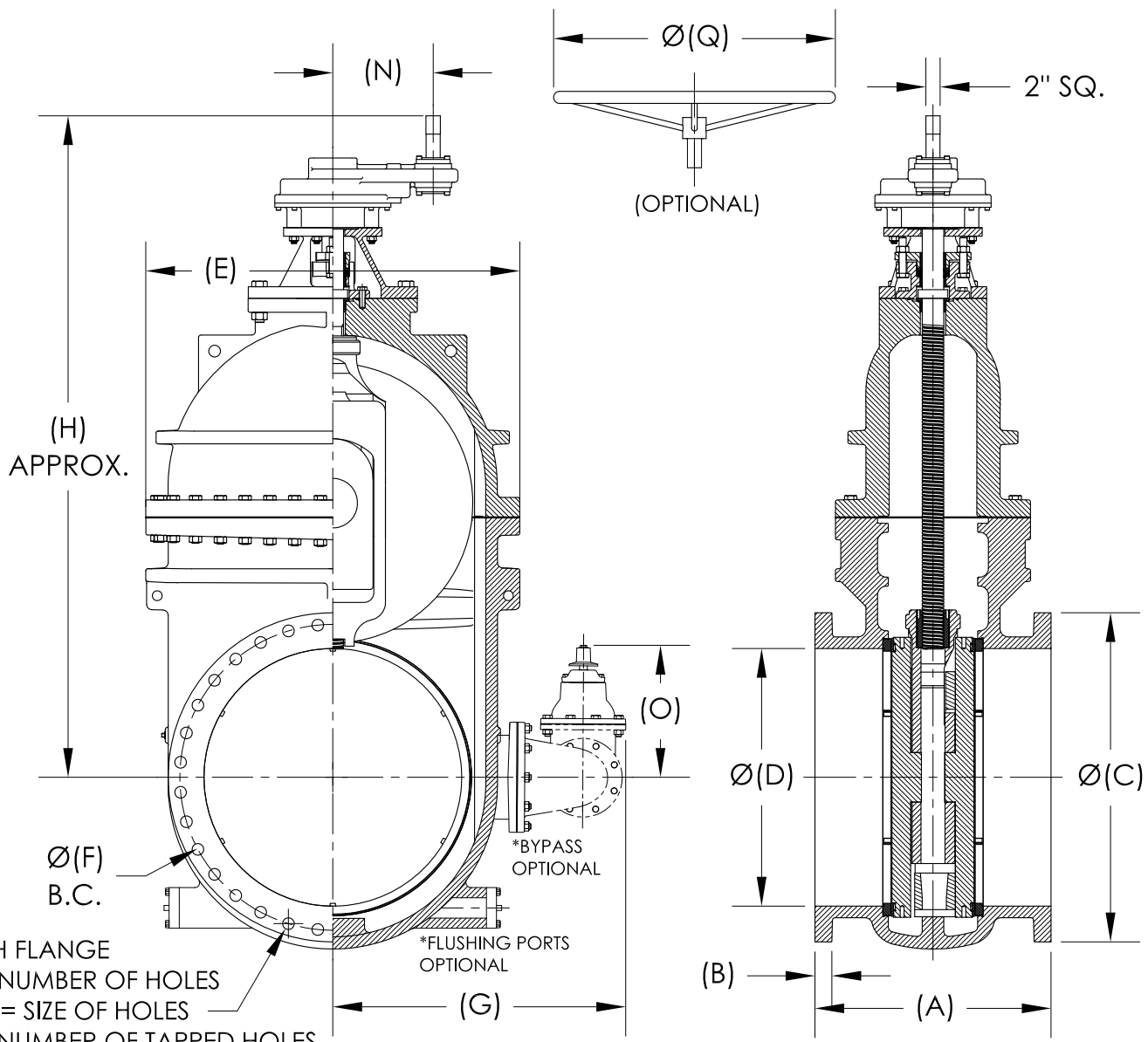
DWG. NO.

CAT910C10126-01

TITLE:

SERIES 50 - ROTATING DISC GATE VALVE
30" - 48" - NRS
FL x FL - CL125 - BEVEL GEAR - PL
(BOTTOM BYPASS - OPTIONAL)

THIS DRAWING AND ALL INFORMATION IS KENNEDY VALVE PROPERTY AND SHALL NOT BE USED, COPIED, OR REPRODUCED WITHOUT WRITTEN CONSENT. DESIGN AND INVENTION RIGHTS RESERVED.



EACH FLANGE
 (J) = NUMBER OF HOLES
 Ø(K) = SIZE OF HOLES
 (L) = NUMBER OF TAPPED HOLES
 Ø(M) = SIZE OF TAPPED HOLES

NOTE 1: 36" VALVE SHOWN
 NOTE 2: SIDE BYPASS OPTIONAL
 NOTE 3: FLUSHING PORTS OPTIONAL

SIZE Ø(D)	(A)	(B)	Ø(C)	(E)	Ø(F)	(G)	(H)	(J)	Ø(K)	(L)	Ø(M)	(N)	(O)	-	Ø(Q)	BYPASS SIZE	APPROX. WEIGHT	# OF TURNS AT GEAR*	RATIO (XXX:1)	GEAR
30.0	30.0	2.12	38.8	44.1	36.0	34.3	79.8	28	1 3/8	-	-	13.1	15.0	-	24.0	4	7700	792	12	IS8
36.0	33.0	2.38	46.0	52.3	42.7	40.7	92.5	30	1 5/8	2	1 1/2 - 6	14.0	18.5	-	32.0	6	12500	1119	15	IS11
42.0	35.8	2.62	53.0	58.5	49.5	44.9	115.0	32	1 5/8	4	1 1/2 - 6	24.1	18.5	-	32.0	6	15931	2959	33	IS12/ AS5
48.0	40.0	2.76	59.5	69.0	56.0	52.4	131.7	44	1 5/8	-	-	29.1	21.9	-	32.0	8	22572	5043	49	IS13/ AS8

* ± 2% TURNS AT VALVE STEM.

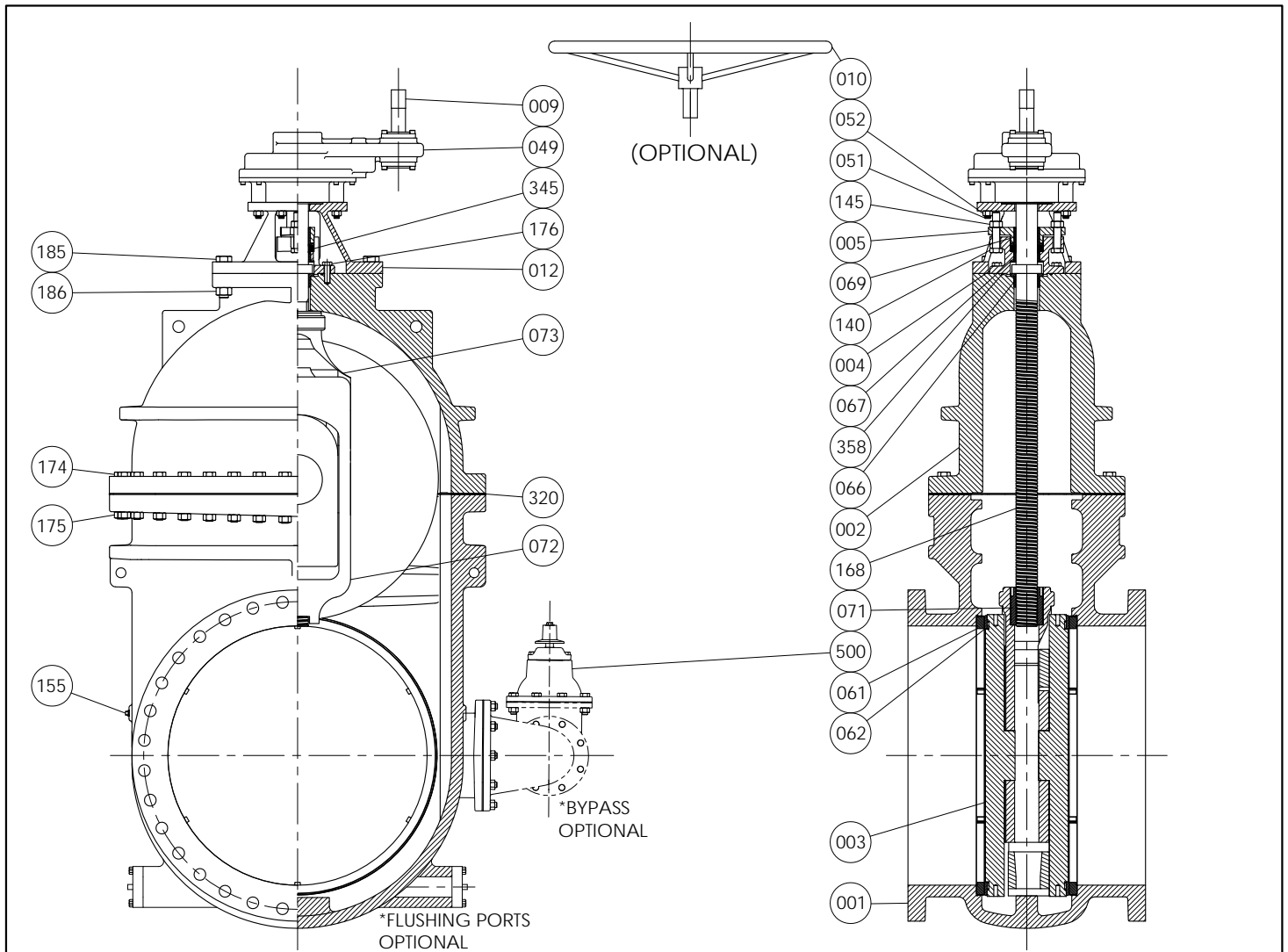


KENNEDY VALVE
 Division of McWane, Inc.
 1021 EAST WATER STREET ELMIRA, NEW YORK 14901

DWN: D SKAKAL
 DATE: 6/14/17
 DWG. NO.
 CAT910C10127-01

TITLE:
SERIES 50 - ROTATING DISC GATE VALVE
 30" - 48" - NRS
 FL x FL - CL125 - SPUR GEAR - GD
 (SIDE BYPASS - OPTIONAL)

THIS DRAWING AND ALL INFORMATION IS KENNEDY VALVE PROPERTY AND SHALL NOT BE USED, COPIED, OR REPRODUCED WITHOUT WRITTEN CONSENT. DESIGN AND INVENTION RIGHTS RESERVED.



NO.	DESCRIPTION	MATERIAL	ASTM DESIGNATION
001	BODY	DUCTILE IRON	A536 GRADE 65-45-12/ 70-50-05
002	BONNET	DUCTILE IRON	A536 GRADE 65-45-12/ 70-50-05
003	DISC	DUCTILE IRON	A536 GRADE 65-45-12/ 70-50-05
004	PACKING BOX	DUCTILE IRON	A536 GRADE 65-45-12/ 70-50-05
005	PACKING GLAND	DUCTILE IRON	A536 GRADE 65-45-12/ 70-50-05
009	2" SQ. OP. NUT (STANDARD)	CARBON STEEL	A36
010	HANDWHEEL (OPTION)		
012	STAND	DUCTILE IRON	A536 GRADE 65-45-12/ 70-50-05
049	SPUR GEAR		
	GEAR STUD (STANDARD)	STAINLESS STEEL	F593 S30400
051	GEAR STUD (OPTION)	STAINLESS STEEL	F593 S31600
	GEAR NUT (STANDARD)	STAINLESS STEEL	F593 S30400
052	GEAR STUD (OPTION)	STAINLESS STEEL	F593 S31600
	BODY SEAT RING (STANDARD)	BRONZE	B62 C83600
061	BODY SEAT RING (OPTION)	BRONZE	B148 C95400
	DISC SEAT RING	BRONZE	B62 C83600
066	BONNET BUSHING	BRONZE	B505 C95400
067	PACKING BOX BUSHING	BRONZE	B505 C95400
069	GLAND BUSHING	BRONZE	B505 C95400
071	STEM NUT	BRONZE	B505 C95400
072	LOWER WEDGE	DUCTILE IRON	A536 GRADE 65-45-12/ 70-50-05
073	UPPER WEDGE	DUCTILE IRON	A536 GRADE 65-45-12/ 70-50-05

NO.	DESCRIPTION	MATERIAL	ASTM DESIGNATION
140	GLAND BOLT (STANDARD)	STAINLESS STEEL	F593 S30400
	GLAND BOLT (OPTION)	STAINLESS STEEL	F593 S31600
145	GLAND HEX NUT	BRONZE	F467 C65100
	PIPE PLUG (STANDARD)	STAINLESS STEEL	TYPE 304
155	PIPE PLUG (OPTION)	STAINLESS STEEL	TYPE 316
	STEM (STANDARD)	STAINLESS STEEL	A276 S30400
168	STEM (OPTION)	STAINLESS STEEL	A276 S31600
	BONNET HEX BOLT (STANDARD)	STAINLESS STEEL	F593 S30400
174	BONNET HEX BOLT (OPTION)	STAINLESS STEEL	F593 S31600
	BONNET HEX NUT (STANDARD)	STAINLESS STEEL	F594 S30400
175	BONNET HEX NUT (OPTION)	STAINLESS STEEL	F594 S31600
	PACKING BOX HEX BOLT (STANDARD)	STAINLESS STEEL	F593 S30400
176	PACKING BOX HEX BOLT (OPTION)	STAINLESS STEEL	F593 S31600
	STAND HEX BOLT (STANDARD)	STAINLESS STEEL	F593 S30400
185	STAND HEX BOLT (OPTION)	STAINLESS STEEL	F593 S31600
186	STAND HEX NUT (STANDARD)	STAINLESS STEEL	F594 S30400
	STAND HEX NUT (OPTION)	STAINLESS STEEL	F594 S31600
320	BONNET GASKET	GARLOCK BLUE-GUARD 3200	F104
	PACKING (STANDARD)	GARLOCK	STYLE 18
345	O-RING SLEEVE (OPTION)	ALUMINUM BRONZE	B505 C95400
358	PACKING BOX O-RING	RUBBER (BUNA-N)	D2000
500	BYPASS VALVE*		

NOTE: O-RING SLEEVE OPTION AVAILABLE FOR 30" - 36" VALVES ONLY
 *SEE SEPARATE CATALOG PAGE FOR FLUSHING PORT DETAILS

*SEE SEPARATE CATALOG PAGE FOR BYPASS DETAILS

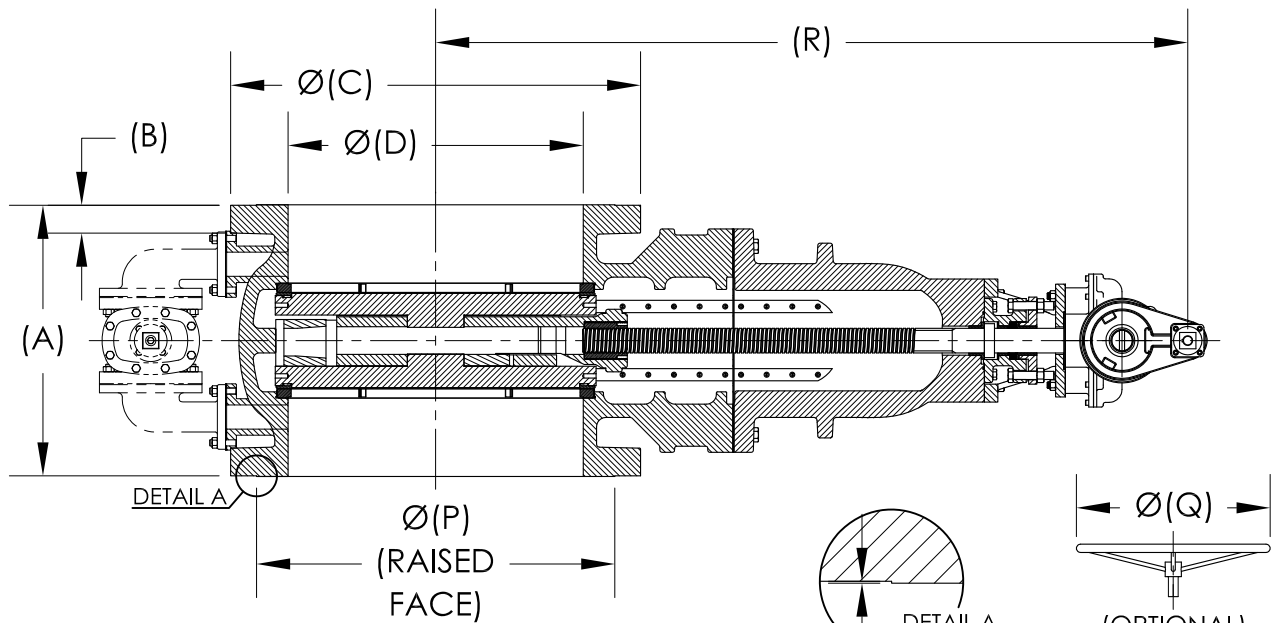


KENNEDY VALVE
 Division of McWane, Inc.
 1021 EAST WATER STREET ELMIRA, NEW YORK 14901

DWN: D SKAKAL
DATE: 6/5/17
DWG. NO.
CAT910C10128-01

TITLE:
SERIES 50 - ROTATING DISC GATE VALVE
30" - 48" - NRS
FL x FL - CL125 - SPUR GEAR - PL
(SIDE BYPASS - OPTIONAL)

THIS DRAWING AND ALL INFORMATION IS KENNEDY VALVE PROPERTY AND SHALL NOT BE USED, COPIED, OR REPRODUCED WITHOUT WRITTEN CONSENT. DESIGN AND INVENTION RIGHTS RESERVED.



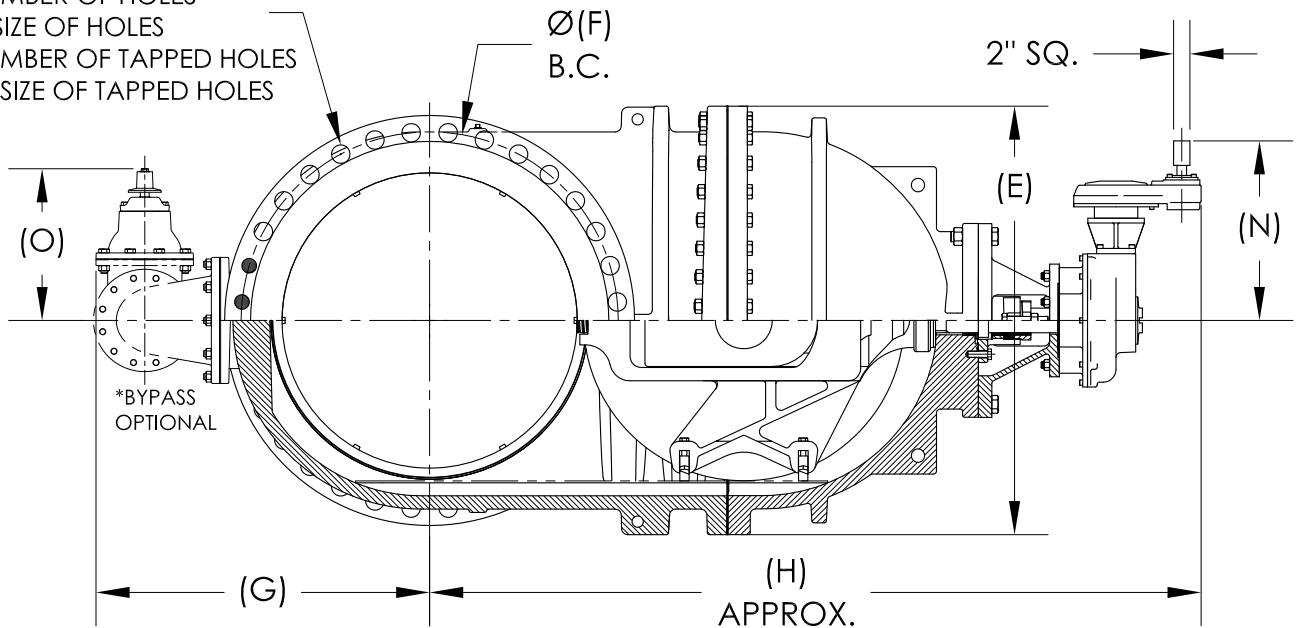
EACH FLANGE

(J) = NUMBER OF HOLES

$\varnothing(K)$ = SIZE OF HOLES

(L) = NUMBER OF TAPPED HOLES

$\varnothing(M)$ = SIZE OF TAPPED HOLES



NOTE 1: 36" VALVE SHOWN

NOTE 2: BOTTOM BYPASS OPTIONAL

RAISED FACE

PER ASME B16.1

SIZE $\varnothing(D)$	(A)	(B)	$\varnothing(C)$	(E)	$\varnothing(F)$	(G)	(H)	(J)	$\varnothing(K)$	(L)	$\varnothing(M)$	(N)	(O)	$\varnothing(P)$	$\varnothing(Q)$	(R)	BYPASS SIZE	APPROX. WEIGHT	# OF TURNS AT GEAR*	RATIO (XXX:1)	GEAR
30.0	30.0	3.00	43.0	44.1	39.3	34.3	83.9	26	2.00	2	1 3/4 - 5	22.6	15.0	37.2	24.0	80.5	4	7700	1059	16.4	IB8/ AS5
36.0	33.0	3.38	50.0	52.3	46.0	41.0	95.1	28	2 1/4	4	2.00 - 4.5	24.4	18.5	43.7	32.0	91.7	6	12500	1877	24.6	IB11/ AS5
42.0	35.8	3.69	57.0	58.5	52.8	44.8	109.1	32	2 1/4	4	2.00 - 4.5	26.6	18.5	50.4	32.0	105.7	6	15931	2926	32.8	IB12/ AS5
48.0	40.0	4.00	65.0	69.0	60.8	52.3	126.8	34	2 1/4	6	2.00 - 4.5	30.7	21.9	58.4	32.0	123.5	8	22572	4987	48.8	IB13/ AS8

* $\pm 2\%$ TURNS AT VALVE STEM.

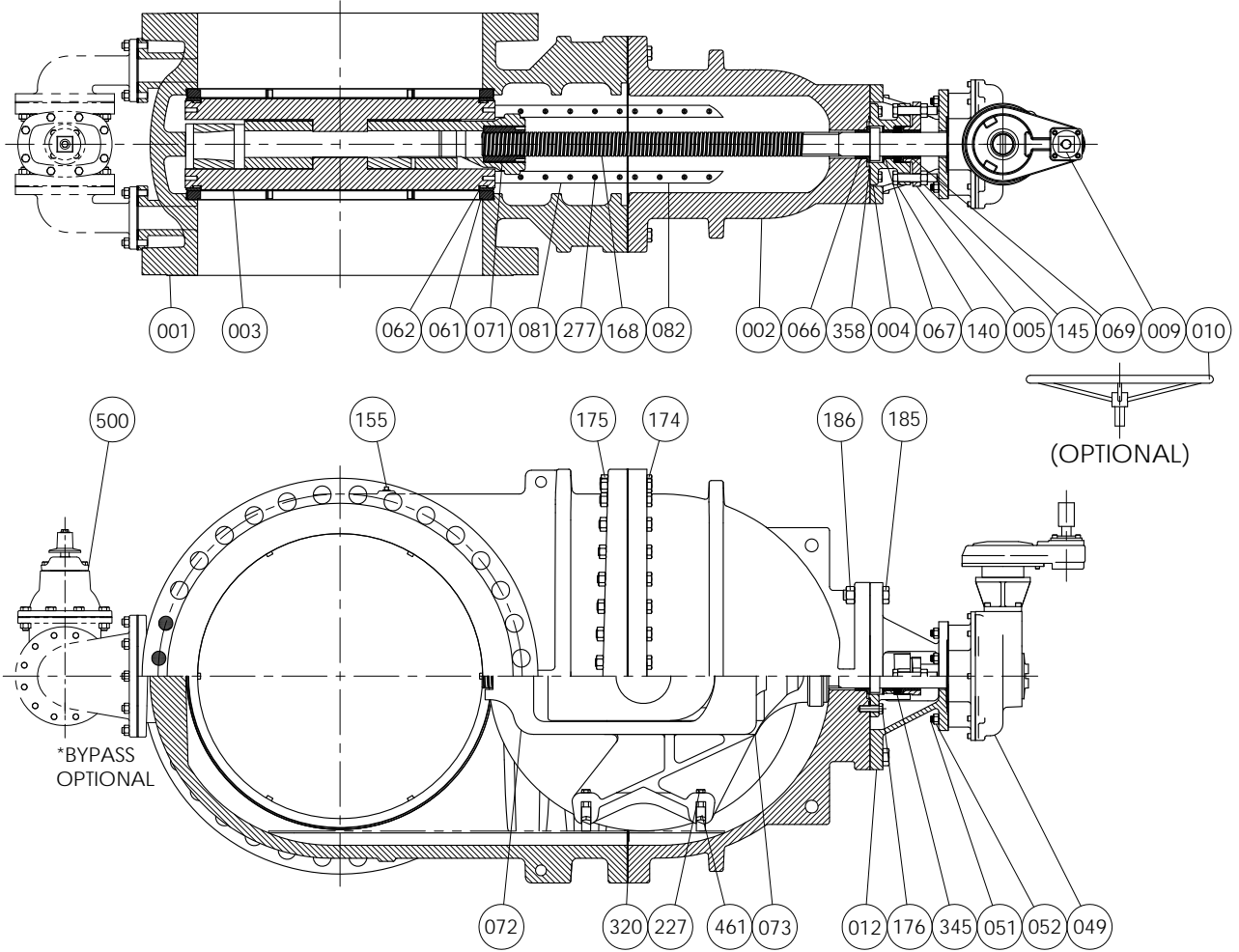


KENNEDY VALVE
Division of McWane, Inc.
1021 EAST WATER STREET ELMIRA, NEW YORK 14901

DWN: D SKAKAL
DATE: 6/15/17
DWG. NO.
CAT910C10133-01

TITLE:
SERIES 40 - ROTATING DISC GATE VALVE
30" - 48" - NRS
FL x FL - CL250 - BEVEL GEAR - GD
(BOTTOM BYPASS - OPTIONAL)

THIS DRAWING AND ALL INFORMATION IS KENNEDY VALVE PROPERTY AND SHALL NOT BE USED, COPIED, OR REPRODUCED WITHOUT WRITTEN CONSENT. DESIGN AND INVENTION RIGHTS RESERVED.



NO.	DESCRIPTION	MATERIAL	ASTM DESIGNATION
001	BODY	DUCTILE IRON	A536 GRADE 65-45-12/ 70-50-05
002	BONNET	DUCTILE IRON	A536 GRADE 65-45-12/ 70-50-05
003	DISC	DUCTILE IRON	A536 GRADE 65-45-12/ 70-50-05
004	PACKING BOX	DUCTILE IRON	A536 GRADE 65-45-12/ 70-50-05
005	PACKING GLAND	DUCTILE IRON	A536 GRADE 65-45-12/ 70-50-05
009	2" SQ. OP. NUT (STANDARD)	CARBON STEEL	A36
010	HANDWHEEL (OPTION)	STEEL	-
012	STAND	DUCTILE IRON	A536 GRADE 65-45-12/ 70-50-05
049	BEVEL GEAR	-	-
051	GEAR STUD (STANDARD)	STAINLESS STEEL	F593 S30400
	GEAR STUD (OPTION)	STAINLESS STEEL	F593 S31600
	GEAR NUT (STANDARD)	STAINLESS STEEL	F594 S30400
052	GEAR NUT (OPTION)	STAINLESS STEEL	F594 S31600
061	BODY SEAT RING (STANDARD)	BRONZE	B148 C95400
	BODY SEAT RING (OPTION)	BRONZE	B62 C83600
062	DISC SEAT RING	BRONZE	B62 C83600
066	BONNET BUSHING	BRONZE	B505 C95400
067	PACKING BOX BUSHING	BRONZE	B505 C95400
069	GLAND BUSHING	BRONZE	B505 C95400
071	STEM NUT	BRONZE	B505 C95400
072	LOWER WEDGE	DUCTILE IRON	A536 GRADE 65-45-12/ 70-50-05
073	UPPER WEDGE	DUCTILE IRON	A536 GRADE 65-45-12/ 70-50-05
081	BODY GUIDE	BRONZE	B505 C95400
082	BONNET GUIDE	BRONZE	B505 C95400
140	GLAND BOLT (STANDARD)	STAINLESS STEEL	F593 S30400
	GLAND BOLT (OPTION)	STAINLESS STEEL	F593 S31600

NO.	DESCRIPTION	MATERIAL	ASTM DESIGNATION
145	GLAND HEX NUT	BRONZE	F467 C65100
155	PIPE PLUG (STANDARD)	STAINLESS STEEL	TYPE 304
	PIPE PLUG (OPTION)	STAINLESS STEEL	TYPE 316
168	STEM (STANDARD)	STAINLESS STEEL	A276 S30400
	STEM (OPTION)	STAINLESS STEEL	A276 S31600
174	BONNET HEX BOLT (STANDARD)	STAINLESS STEEL	F593 S30400
	BONNET HEX BOLT (OPTION)	STAINLESS STEEL	F593 S31600
175	BONNET HEX NUT (STANDARD)	STAINLESS STEEL	F594 S30400
	BONNET HEX NUT (OPTION)	STAINLESS STEEL	F594 S31600
176	PACKING BOX HEX BOLT (STANDARD)	STAINLESS STEEL	F593 S30400
	PACKING BOX HEX BOLT (OPTION)	STAINLESS STEEL	F593 S31600
185	STAND HEX BOLT (STANDARD)	STAINLESS STEEL	F593 S30400
	STAND HEX BOLT (OPTION)	STAINLESS STEEL	F593 S31600
186	STAND HEX NUT (STANDARD)	STAINLESS STEEL	F594 S30400
	STAND HEX NUT (OPTION)	STAINLESS STEEL	F594 S31600
227	SCRAPER BOLT (STANDARD)	STAINLESS STEEL	F593 S30400
	SCRAPER BOLT (OPTION)	STAINLESS STEEL	F593 S31600
277	FLAT HEAD SCREW (STANDARD)	STAINLESS STEEL	TYPE 304
	FLAT HEAD SCREW (OPTION)	STAINLESS STEEL	TYPE 316
320	BONNET GASKET	GARLOCK BLUE-GUARD 3200	F104
	PACKING (STANDARD)	GARLOCK	STYLE 18
345	O-RING SLEEVE (OPTION)	ALUMINUM BRONZE	B505 C95400
358	PACKING BOX O-RING	RUBBER (BUNA-N)	D2000
461	MUD SCRAPERS	BRONZE	B148 C95400
500	BYPASS VALVE*	-	-

NOTE: O-RING SLEEVE OPTION AVAILABLE FOR 30" - 36" VALVES ONLY

*SEE SEPARATE CATALOG PAGE FOR BYPASS DETAILS



KENNEDY VALVE
Division of McWane, Inc.
1021 EAST WATER STREET ELMIRA, NEW YORK 14901

DWN: D SKAKAL

DATE: 6/15/17

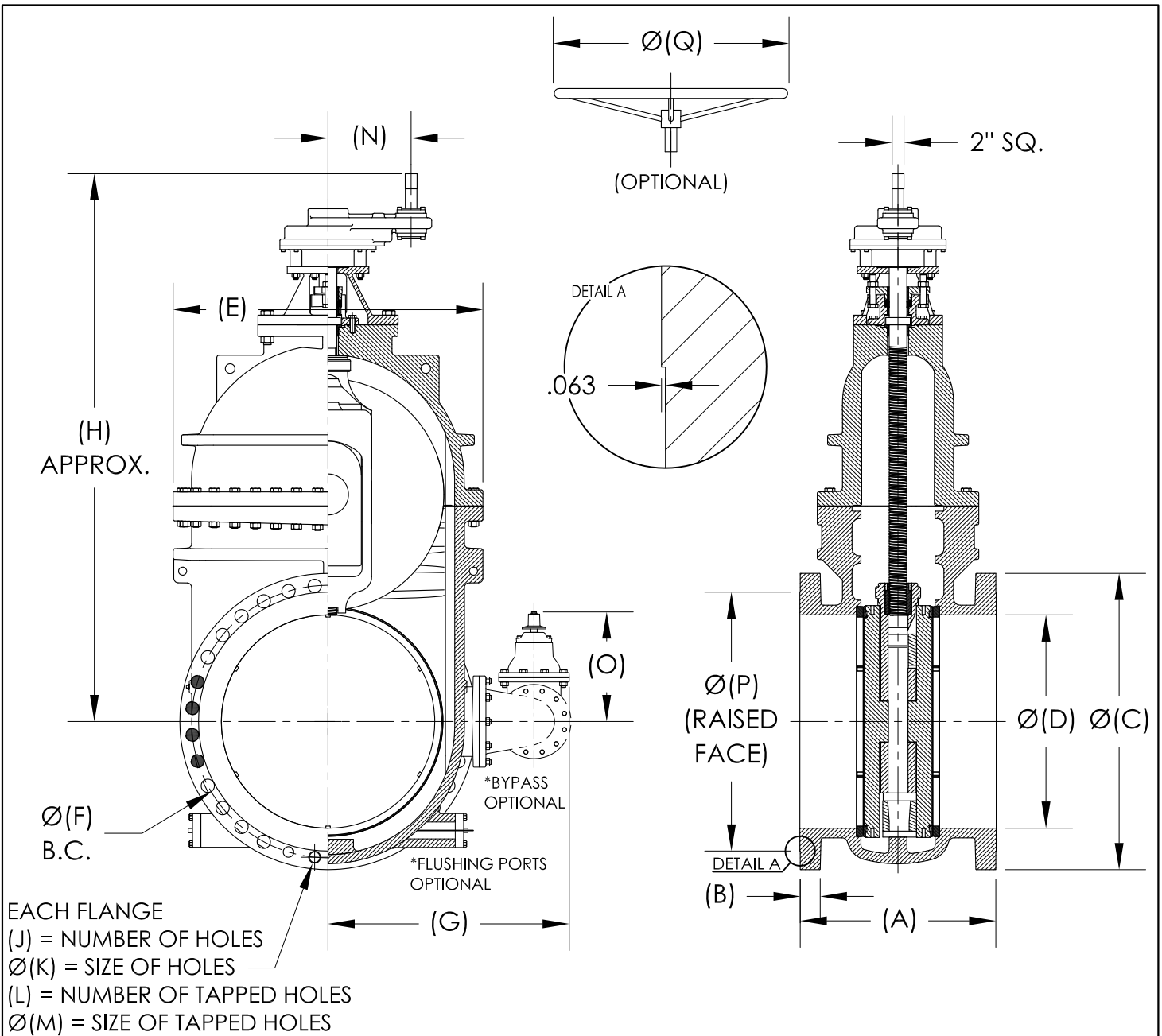
DWG. NO.

CAT910C10134-01

TITLE:

SERIES 40 - ROTATING DISC GATE VALVE
30" - 48" - NRS
FL x FL - CL250 - BEVEL GEAR - PL
(BOTTOM BYPASS - OPTIONAL)

THIS DRAWING AND ALL INFORMATION IS KENNEDY VALVE PROPERTY AND SHALL NOT BE USED, COPIED, OR REPRODUCED WITHOUT WRITTEN CONSENT. DESIGN AND INVENTION RIGHTS RESERVED.



NOTE 1: 36" VALVE SHOWN
 NOTE 2: SIDE BYPASS OPTIONAL
 NOTE 3: FLUSHING PORTS OPTIONAL

RAISED FACE
 PER ASME B16.1

SIZE Ø(D)	(A)	(B)	Ø(C)	(E)	Ø(F)	(G)	(H)	(J)	Ø(K)	(L)	Ø(M)	(N)	(O)	Ø(P)	Ø(Q)	BYPASS SIZE	APPROX. WEIGHT	# OF TURNS AT GEAR*	RATIO (XXX:1)	GEAR
30.0	30.0	3.00	43.0	44.1	39.3	34.3	79.8	26	2.00	2	1 3/4 - 5	13.1	15.0	37.2	24.0	4	7700	792	12	IS8
36.0	33.0	3.38	50.0	52.3	46.0	41.0	92.5	28	2 1/4	4	2.00 - 4.5	14.0	18.5	43.7	32.0	6	12500	1119	15	IS11
42.0	35.7	3.69	57.0	58.5	52.8	44.9	115.0	32	2 1/4	4	2.00 - 4.5	24.1	18.5	50.4	32.0	6	15931	2959	33	IS12/ AS5
48.0	40.0	4.00	65.0	69.0	60.8	52.4	131.7	34	2 1/4	6	2.00 - 4.5	29.1	21.9	58.4	32.0	8	22572	5043	49	IS13/ AS8

* ± 2% TURNS AT VALVE STEM.

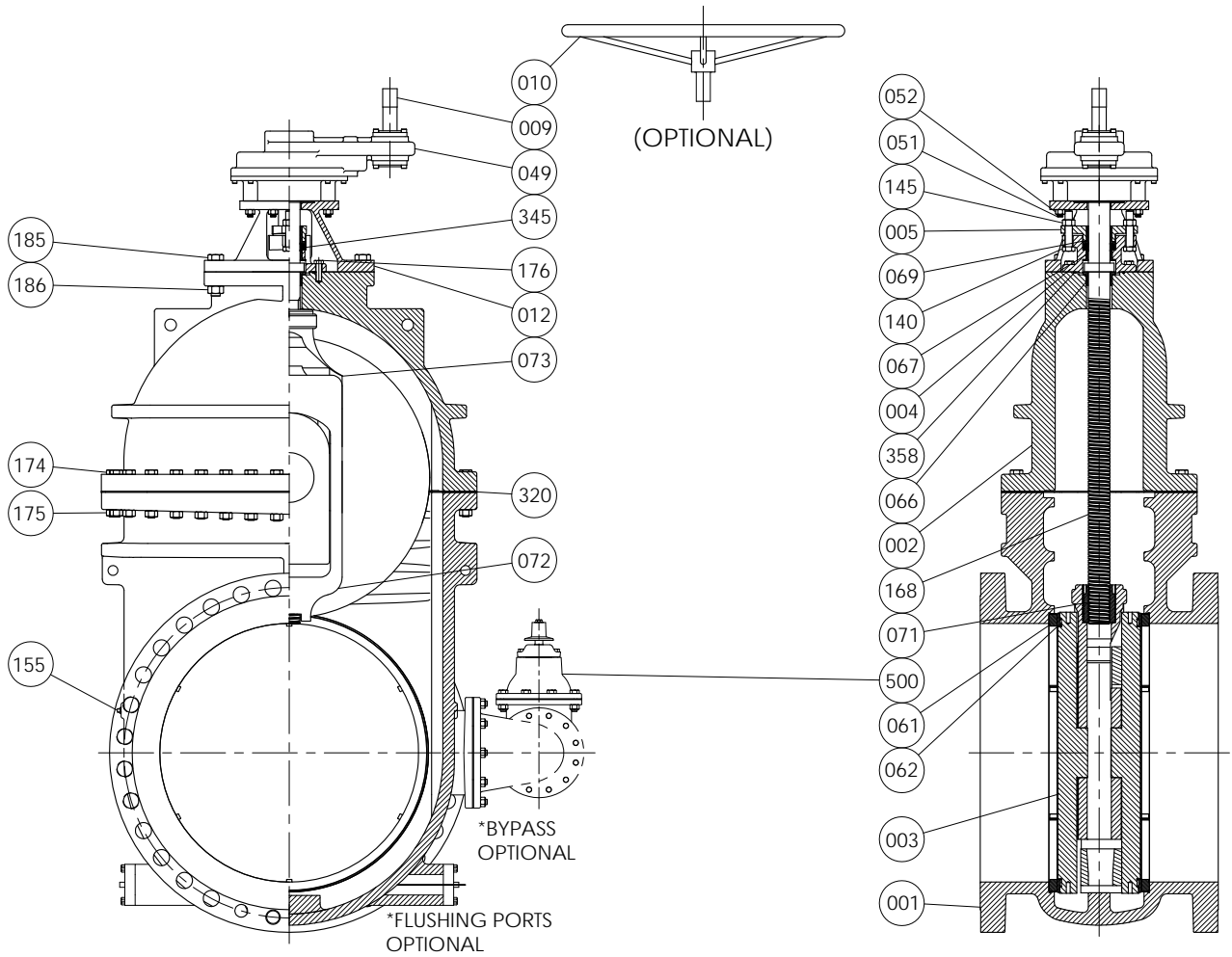


KENNEDY VALVE
 Division of McWane, Inc.
 1021 EAST WATER STREET ELMIRA, NEW YORK 14901

DWN: D SKAKAL
 DATE: 6/14/17
 DWG. NO.
 CAT910C10135-01

TITLE:
SERIES 40 - ROTATING DISC GATE VALVE
 30" - 48" - NRS
 FL x FL - CL250 - SPUR GEAR - GD
 (SIDE BYPASS - OPTIONAL)

THIS DRAWING AND ALL INFORMATION IS KENNEDY VALVE PROPERTY AND SHALL NOT BE USED, COPIED, OR REPRODUCED WITHOUT WRITTEN CONSENT. DESIGN AND INVENTION RIGHTS RESERVED.



NO.	DESCRIPTION	MATERIAL	ASTM DESIGNATION
001	BODY	DUCTILE IRON	A536 GRADE 65-45-12/ 70-50-05
002	BONNET	DUCTILE IRON	A536 GRADE 65-45-12/ 70-50-05
003	DISC	DUCTILE IRON	A536 GRADE 65-45-12/ 70-50-05
004	PACKING BOX	DUCTILE IRON	A536 GRADE 65-45-12/ 70-50-05
005	PACKING GLAND	DUCTILE IRON	A536 GRADE 65-45-12/ 70-50-05
009	2" SQ. OP. NUT (STANDARD)	CARBON STEEL	A36
010	HANDWHEEL (OPTION)	STEEL	
012	STAND	DUCTILE IRON	A536 GRADE 65-45-12/ 70-50-05
049	SPUR GEAR		
051	GEAR STUD (STANDARD)	STAINLESS STEEL	F593 S30400
	GEAR STUD (OPTION)	STAINLESS STEEL	F593 S31600
	GEAR NUT (STANDARD)	STAINLESS STEEL	F594 S30400
052	GEAR NUT (OPTION)	STAINLESS STEEL	F594 S31600
061	BODY SEAT RING (STANDARD)	BRONZE	B148 C95400
	BODY SEAT RING (OPTION)	BRONZE	B62 C83600
062	DISC SEAT RING	BRONZE	B62 C83600
066	BONNET BUSHING	BRONZE	B505 C95400
067	PACKING BOX BUSHING	BRONZE	B505 C95400
069	GLAND BUSHING	BRONZE	B505 C95400
071	STEM NUT	BRONZE	B505 C95400
072	LOWER WEDGE	DUCTILE IRON	A536 GRADE 65-45-12/ 70-50-05
073	UPPER WEDGE	DUCTILE IRON	A536 GRADE 65-45-12/ 70-50-05

NO.	DESCRIPTION	MATERIAL	ASTM DESIGNATION
140	GLAND BOLT (STANDARD)	STAINLESS STEEL	F593 S30400
	GLAND BOLT (OPTION)	STAINLESS STEEL	F593 S31600
145	GLAND HEX NUT	BRONZE	F467 C65100
155	PIPE PLUG (STANDARD)	STAINLESS STEEL	TYPE 304
	PIPE PLUG (OPTION)	STAINLESS STEEL	TYPE 316
168	STEM (STANDARD)	STAINLESS STEEL	A276 S30400
	STEM (OPTION)	STAINLESS STEEL	A276 S31600
174	BONNET HEX BOLT (STANDARD)	STAINLESS STEEL	F593 S30400
	BONNET HEX BOLT (OPTION)	STAINLESS STEEL	F593 S31600
175	BONNET HEX NUT (STANDARD)	STAINLESS STEEL	F594 S30400
	BONNET HEX NUT (OPTION)	STAINLESS STEEL	F594 S31600
176	PACKING BOX HEX BOLT (STANDARD)	STAINLESS STEEL	F593 S30400
	PACKING BOX HEX BOLT (OPTION)	STAINLESS STEEL	F593 S31600
185	STAND HEX BOLT (STANDARD)	STAINLESS STEEL	F593 S30400
	STAND HEX BOLT (OPTION)	STAINLESS STEEL	F593 S31600
186	STAND HEX NUT (STANDARD)	STAINLESS STEEL	F594 S30400
	STAND HEX NUT (OPTION)	STAINLESS STEEL	F594 S31600
320	BONNET GASKET	GARLOCK BLUE-GUARD 3200	F104
345	PACKING (STANDARD)	GARLOCK	STYLE 18
	O-RING SLEEVE (OPTION)	ALUMINUM BRONZE	B505 C95400
358	PACKING BOX O-RING	RUBBER (BUNA-N)	D2000
500	BYPASS VALVE*		

NOTE: O-RING SLEEVE OPTION AVAILABLE FOR 30" - 36" VALVES ONLY

*SEE SEPARATE CATALOG PAGE FOR FLUSHING PORT DETAILS
*SEE SEPARATE CATALOG PAGE FOR BYPASS DETAILS



KENNEDY VALVE
Division of McWane, Inc.
1021 EAST WATER STREET ELMIRA, NEW YORK 14901

DWN: D SKAKAL

DATE: 6/5/17

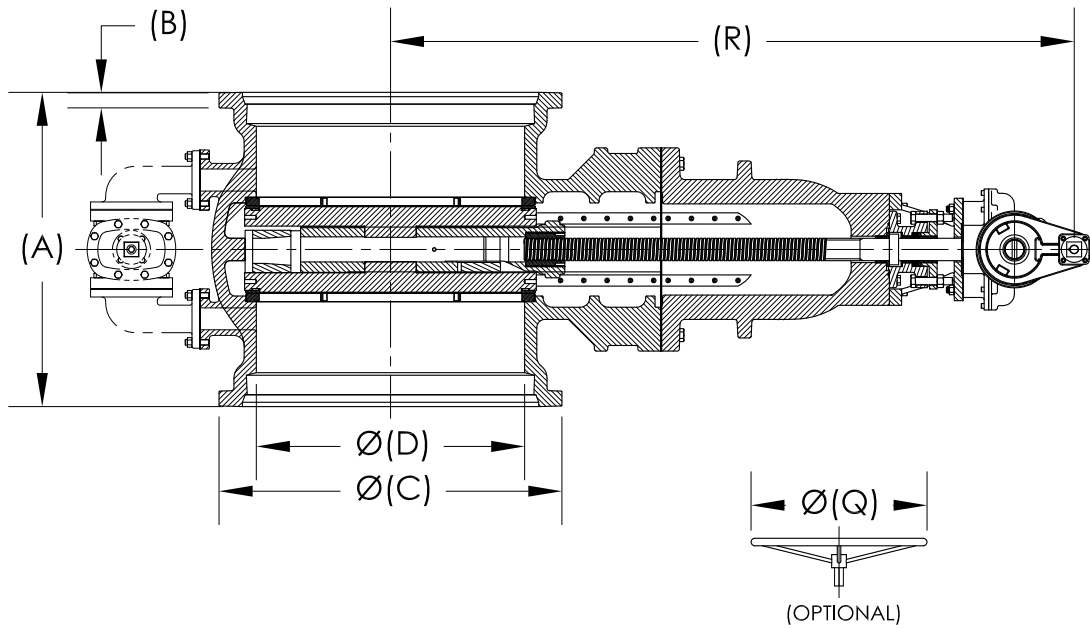
DWG. NO.

CAT910C10136-01

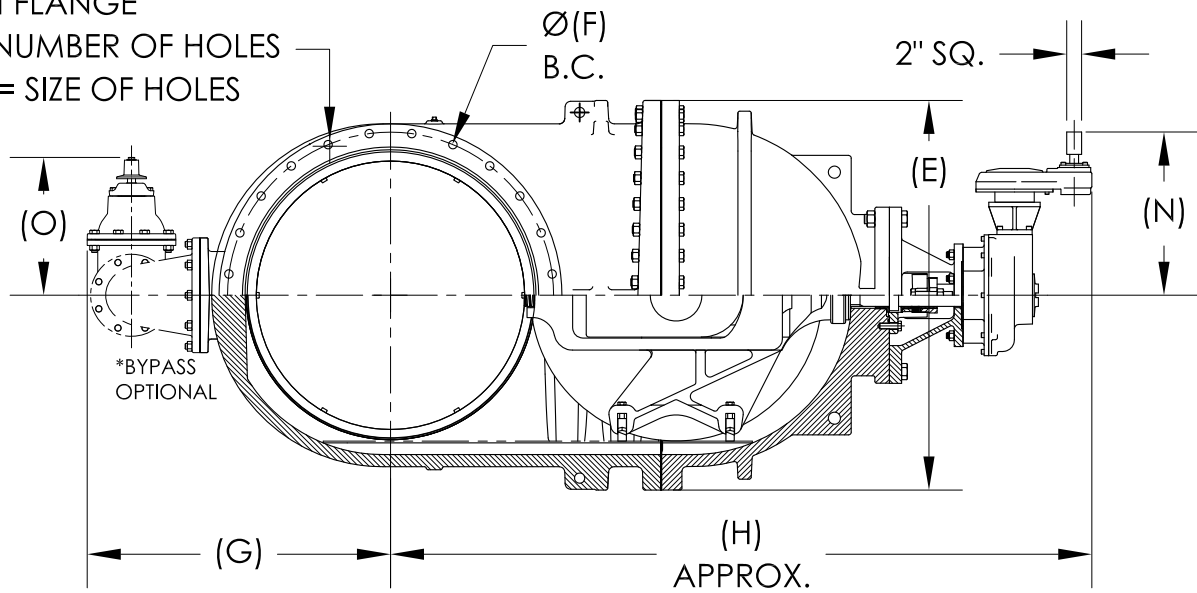
TITLE:

SERIES 40 - ROTATING DISC GATE VALVE
30" - 48" - NRS
FL x FL - CL250 - SPUR GEAR - PL
(SIDE BYPASS - OPTIONAL)

THIS DRAWING AND ALL INFORMATION IS KENNEDY VALVE PROPERTY AND SHALL NOT BE USED, COPIED, OR REPRODUCED WITHOUT WRITTEN CONSENT. DESIGN AND INVENTION RIGHTS RESERVED.



EACH FLANGE
 (J) = NUMBER OF HOLES
 Ø(K) = SIZE OF HOLES



NOTE 1: 36" VALVE SHOWN
 NOTE 2: BOTTOM BYPASS OPTIONAL

SIZE Ø(D)	(A)	(B)	Ø(C)	(E)	Ø(F)	(G)	(H)	(J)	Ø(K)	-	-	(N)	(O)	-	(Q)	(R)	BYPASS SIZE	APPROX. WEIGHT	# OF TURNS AT GEAR*	RATIO (XXX:1)	GEAR
30.0	38.5	1.70	36.9	44.1	36.0	34.3	83.9	20	1 1/8	-	-	22.6	15.0	-	24.0	80.5	4	7700	1059	16.4	IB8/ AS5
36.0	42.0	2.08	46.0	52.3	42.8	40.7	95.1	24	1 1/8	-	-	24.4	18.5	-	32.0	91.7	6	12500	1877	24.6	IB11/ AS5
42.0	46.0	2.08	46.0	58.5	50.6	44.8	109.1	36	1 3/8	-	-	26.6	18.5	-	32.0	105.7	6	15931	2926	32.8	IB12/ AS5
48.0	48.0	4.83	60.0	69.0	57.5	52.3	126.8	36	1 3/8	-	-	30.7	21.9	-	32.0	123.5	8	22572	4987	48.8	IB13/ AS8

* ± 2% TURNS AT VALVE STEM.

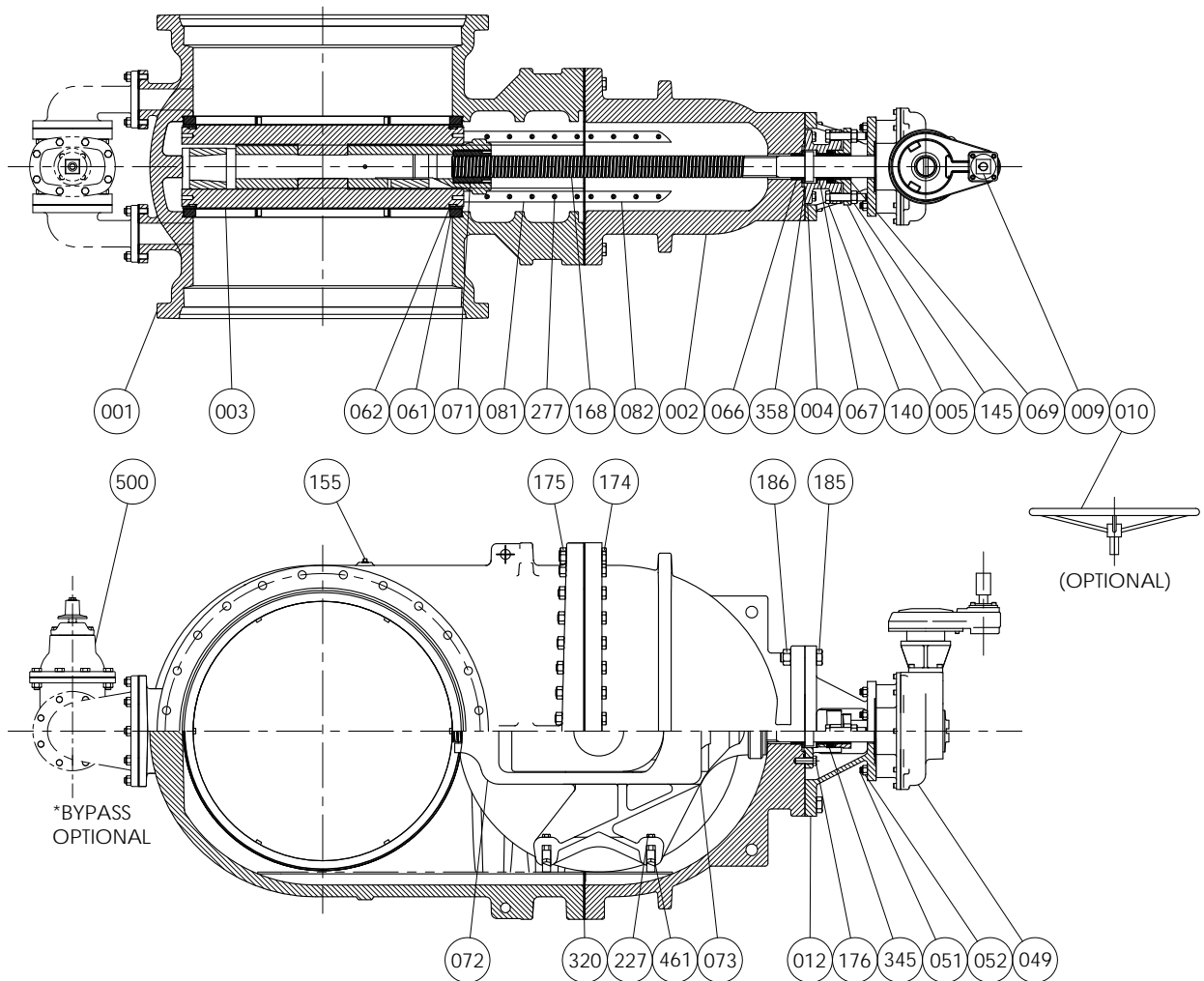


KENNEDY VALVE
 Division of McWane, Inc.
 1021 EAST WATER STREET ELMIRA, NEW YORK 14901

DWN: D SKAKAL
 DATE: 6/19/17
 DWG. NO.
 CAT910C10141-01

TITLE:
SERIES 55 - ROTATING DISC GATE VALVE
 30" - 48" - NRS
 MJ x MJ - BEVEL GEAR - GD
 (BOTTOM BYPASS - OPTIONAL)

THIS DRAWING AND ALL INFORMATION IS KENNEDY VALVE PROPERTY AND SHALL NOT BE USED, COPIED, OR REPRODUCED WITHOUT WRITTEN CONSENT. DESIGN AND INVENTION RIGHTS RESERVED.



NO.	DESCRIPTION	MATERIAL	ASTM DESIGNATION
001	BODY	DUCTILE IRON	A536 GRADE 65-45-12/ 70-50-05
002	BONNET	DUCTILE IRON	A536 GRADE 65-45-12/ 70-50-05
003	DISC	DUCTILE IRON	A536 GRADE 65-45-12/ 70-50-05
004	PACKING BOX	DUCTILE IRON	A536 GRADE 65-45-12/ 70-50-05
005	PACKING GLAND	DUCTILE IRON	A536 GRADE 65-45-12/ 70-50-05
009	2" SQ. OP. NUT (STANDARD)	CARBON STEEL	A36
010	HANDWHEEL (OPTION)	STEEL	-
012	STAND	DUCTILE IRON	A536 GRADE 65-45-12/ 70-50-05
049	BEVEL GEAR	-	-
051	GEAR STUD (STANDARD)	STAINLESS STEEL	F593 S30400
	GEAR STUD (OPTION)	STAINLESS STEEL	F593 S31600
	GEAR NUT (STANDARD)	STAINLESS STEEL	F594 S30400
052	GEAR NUT (OPTION)	STAINLESS STEEL	F594 S31600
061	BODY SEAT RING (STANDARD)	BRONZE	B148 C95400
	BODY SEAT RING (OPTION)	BRONZE	B62 C83600
062	DISC SEAT RING	BRONZE	B62 C83600
066	BONNET BUSHING	BRONZE	B505 C95400
067	PACKING BOX BUSHING	BRONZE	B505 C95400
069	GLAND BUSHING	BRONZE	B505 C95400
071	STEM NUT	BRONZE	B505 C95400
072	LOWER WEDGE	DUCTILE IRON	A536 GRADE 65-45-12/ 70-50-05
073	UPPER WEDGE	DUCTILE IRON	A536 GRADE 65-45-12/ 70-50-05
081	BODY GUIDE	BRONZE	B505 C95400
082	BONNET GUIDE	BRONZE	B505 C95400
140	GLAND BOLT (STANDARD)	STAINLESS STEEL	F593 S30400
	GLAND BOLT (OPTION)	STAINLESS STEEL	F593 S31600

NO.	DESCRIPTION	MATERIAL	ASTM DESIGNATION
145	GLAND HEX NUT	BRONZE	F467 C65100
155	PIPE PLUG (STANDARD)	STAINLESS STEEL	TYPE 304
	PIPE PLUG (OPTION)	STAINLESS STEEL	TYPE 316
168	STEM (STANDARD)	STAINLESS STEEL	A276 S30400
	STEM (OPTION)	STAINLESS STEEL	A276 S31600
174	BONNET HEX BOLT (STANDARD)	STAINLESS STEEL	F593 S30400
	BONNET HEX BOLT (OPTION)	STAINLESS STEEL	F593 S31600
175	BONNET HEX NUT (STANDARD)	STAINLESS STEEL	F594 S30400
	BONNET HEX NUT (OPTION)	STAINLESS STEEL	F594 S31600
176	PACKING BOX HEX BOLT (STANDARD)	STAINLESS STEEL	F593 S30400
	PACKING BOX HEX BOLT (OPTION)	STAINLESS STEEL	F593 S31600
185	STAND HEX BOLT (STANDARD)	STAINLESS STEEL	F593 S30400
	STAND HEX BOLT (OPTION)	STAINLESS STEEL	F593 S31600
186	STAND HEX NUT (STANDARD)	STAINLESS STEEL	F594 S30400
	STAND HEX NUT (OPTION)	STAINLESS STEEL	F594 S31600
227	SCRAPER BOLT (STANDARD)	STAINLESS STEEL	F593 S30400
	SCRAPER BOLT (OPTION)	STAINLESS STEEL	F593 S31600
277	FLAT HEAD SCREW (STANDARD)	STAINLESS STEEL	TYPE 304
	FLAT HEAD SCREW (OPTION)	STAINLESS STEEL	TYPE 316
320	BONNET GASKET	GARLOCK BLUE-GUARD 3200	F104
	PACKING (STANDARD)	GARLOCK	STYLE 18
345	O-RING SLEEVE (OPTION)	ALUMINUM BRONZE	B505 C95400
358	PACKING BOX O-RING	RUBBER (BUNA-N)	D2000
461	MUD SCRAPERS	BRONZE	B148 C95400
500	BYPASS VALVE*	-	-

NOTE: O-RING SLEEVE OPTION AVAILABLE FOR 30" - 36" VALVES ONLY

*SEE SEPARATE CATALOG PAGE FOR BYPASS DETAILS



KENNEDY VALVE
Division of McWane, Inc.
1021 EAST WATER STREET ELMIRA, NEW YORK 14901

DWN: D SKAKAL

DATE: 6/19/17

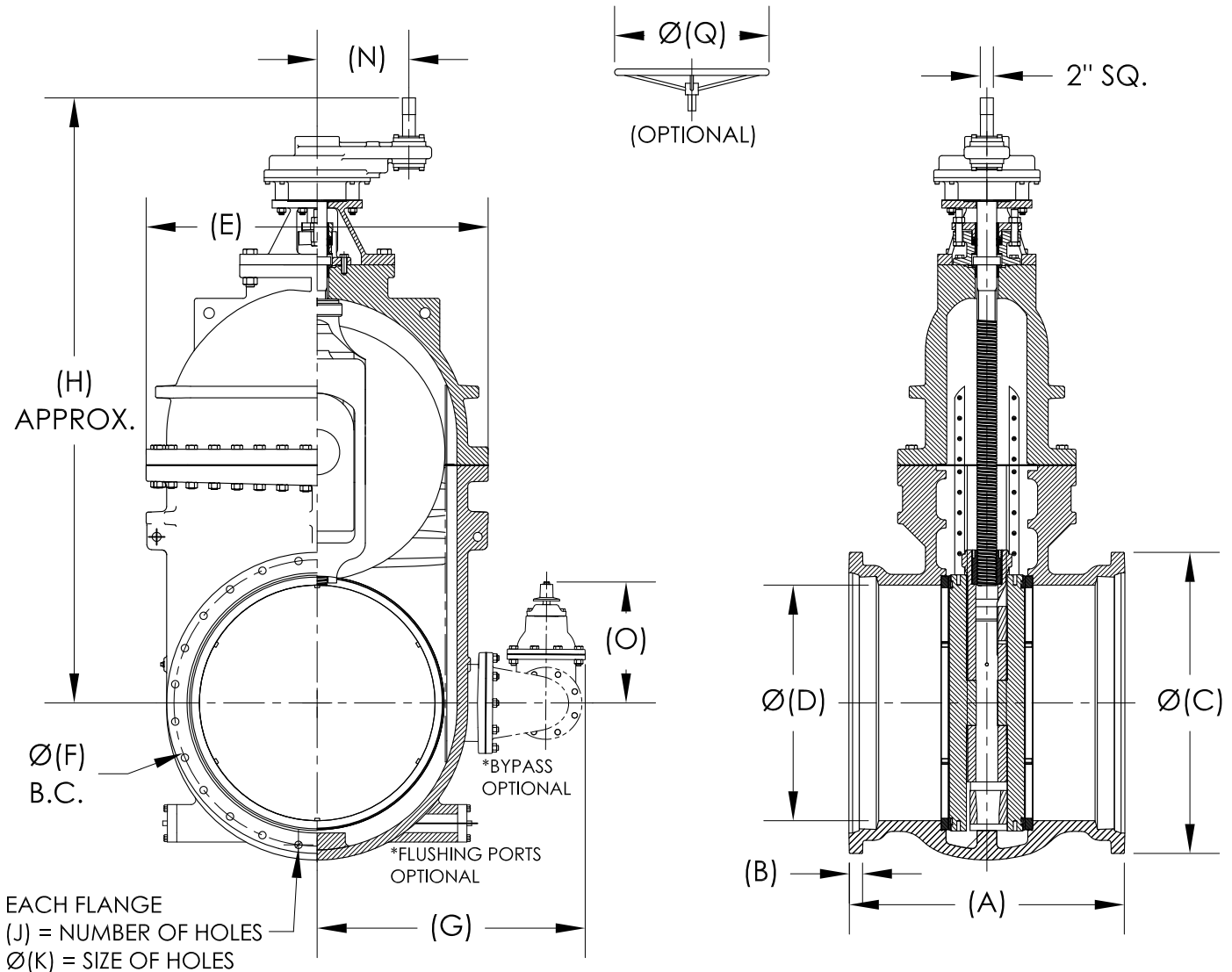
DWG. NO.

CAT910C10142-01

TITLE:

SERIES 55 - ROTATING DISC GATE VALVE
30" - 48" - NRS
MJ x MJ - BEVEL GEAR - PL
(BOTTOM BYPASS - OPTIONAL)

THIS DRAWING AND ALL INFORMATION IS KENNEDY VALVE PROPERTY AND SHALL NOT BE USED, COPIED, OR REPRODUCED WITHOUT WRITTEN CONSENT. DESIGN AND INVENTION RIGHTS RESERVED.



NOTE 1: 36" VALVE SHOWN
 NOTE 2: SIDE BYPASS OPTIONAL
 NOTE 3: FLUSHING PORT OPTIONAL

SIZE Ø(D)	(A)	(B)	Ø(C)	(E)	Ø(F)	(G)	(H)	(J)	Ø(K)	-	-	(N)	(O)	-	(Q)	BYPASS SIZE	APPROX. WEIGHT	# OF TURNS AT GEAR*	RATIO (XXX:1)	GEAR
30.0	38.5	1.70	36.9	44.1	36.0	34.3	79.8	20	1 1/8	-	-	13.1	15.0	-	24.0	4	7700	792	12	IS8
36.0	42.0	2.08	46.0	52.3	42.8	40.7	92.5	24	1 1/8	-	-	14.0	18.5	-	32.0	6	12500	1119	15	IS11
42.0	46.0	2.08	46.0	58.5	50.6	44.9	115.0	36	1 3/8	-	-	24.1	18.5	-	32.0	6	15931	2959	33	IS12/ AS5
48.0	48.0	4.83	60.0	69.0	57.5	52.4	131.7	36	1 3/8	-	-	29.1	21.9	-	32.0	8	22572	5043	49	IS13/ AS8

* ± 2% TURNS AT VALVE STEM.

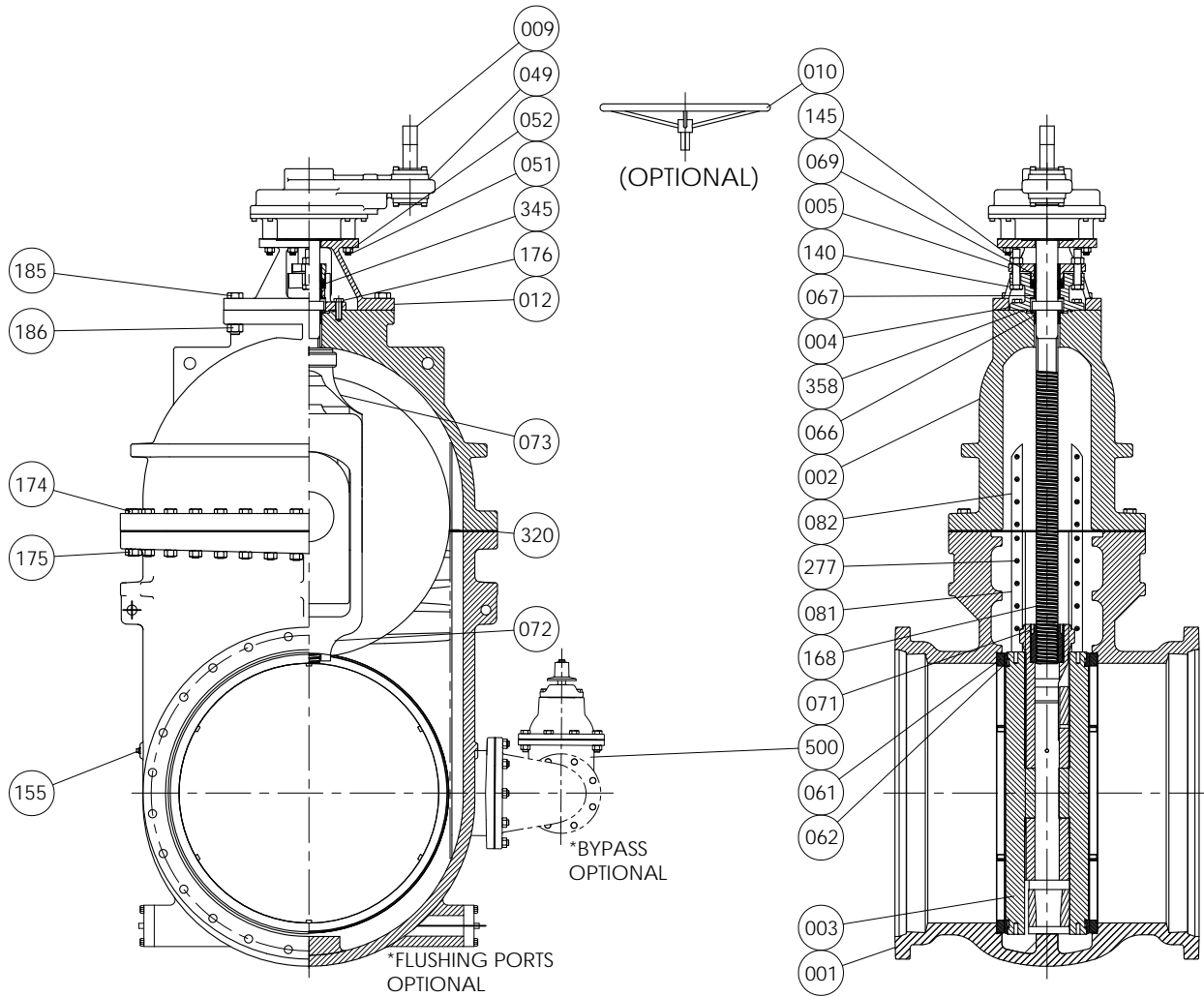


KENNEDY VALVE
 Division of McWane, Inc.
 1021 EAST WATER STREET ELMIRA, NEW YORK 14901

DWN: D SKAKAL
 DATE: 6/26/17
 DWG. NO.
 CAT910C10143-01

TITLE:
SERIES 55 - ROTATING DISC GATE VALVE
 30" - 48" - NRS
 MJ x MJ - SPUR GEAR - GD
 (SIDE BYPASS - OPTIONAL)

THIS DRAWING AND ALL INFORMATION IS KENNEDY VALVE PROPERTY AND SHALL NOT BE USED, COPIED, OR REPRODUCED WITHOUT WRITTEN CONSENT. DESIGN AND INVENTION RIGHTS RESERVED.



NO.	DESCRIPTION	MATERIAL	ASTM DESIGNATION
001	BODY	DUCTILE IRON	A536 GRADE 65-45-12/ 70-50-05
002	BONNET	DUCTILE IRON	A536 GRADE 65-45-12/ 70-50-05
003	DISC	DUCTILE IRON	A536 GRADE 65-45-12/ 70-50-05
004	PACKING BOX	DUCTILE IRON	A536 GRADE 65-45-12/ 70-50-05
005	PACKING GLAND	DUCTILE IRON	A536 GRADE 65-45-12/ 70-50-05
009	2" SQ. OP. NUT (STANDARD)	CARBON STEEL	A36
010	HANDWHEEL (OPTION)	STEEL	-
012	STAND	DUCTILE IRON	A536 GRADE 65-45-12/ 70-50-05
049	BEVEL GEAR	-	-
051	GEAR STUD (STANDARD)	STAINLESS STEEL	F593 S30400
	GEAR STUD (OPTION)	STAINLESS STEEL	F593 S31600
052	GEAR NUT (STANDARD)	STAINLESS STEEL	F594 S30400
	GEAR NUT (OPTION)	STAINLESS STEEL	F594 S31600
061	BODY SEAT RING (STANDARD)	BRONZE	B148 C95400
	BODY SEAT RING (OPTION)	BRONZE	B62 C83600
062	DISC SEAT RING	BRONZE	B62 C83600
066	BONNET BUSHING	BRONZE	B505 C95400
067	PACKING BOX BUSHING	BRONZE	B505 C95400
069	GLAND BUSHING	BRONZE	B505 C95400
071	STEM NUT	BRONZE	B505 C95400
072	LOWER WEDGE	DUCTILE IRON	A536 GRADE 65-45-12/ 70-50-05
073	UPPER WEDGE	DUCTILE IRON	A536 GRADE 65-45-12/ 70-50-05
081	BODY GUIDE	BRONZE	B505 C95400
082	BONNET GUIDE	BRONZE	B505 C95400

NO.	DESCRIPTION	MATERIAL	ASTM DESIGNATION
140	GLAND BOLT (STANDARD)	STAINLESS STEEL	F593 S30400
	GLAND BOLT (OPTION)	STAINLESS STEEL	F593 S31600
145	GLAND HEX NUT	BRONZE	F467 C65100
155	PIPE PLUG (STANDARD)	STAINLESS STEEL	TYPE 304
	PIPE PLUG (OPTION)	STAINLESS STEEL	TYPE 316
168	STEM (STANDARD)	STAINLESS STEEL	A276 S30400
	STEM (OPTION)	STAINLESS STEEL	A276 S31600
174	BONNET HEX BOLT (STANDARD)	STAINLESS STEEL	F593 S30400
	BONNET HEX BOLT (OPTION)	STAINLESS STEEL	F593 S31600
175	BONNET HEX NUT (STANDARD)	STAINLESS STEEL	F594 S30400
	BONNET HEX NUT (OPTION)	STAINLESS STEEL	F594 S31600
176	PACKING BOX HEX BOLT (STANDARD)	STAINLESS STEEL	F593 S30400
	PACKING BOX HEX BOLT (OPTION)	STAINLESS STEEL	F593 S31600
185	STAND HEX BOLT (STANDARD)	STAINLESS STEEL	F593 S30400
	STAND HEX BOLT (OPTION)	STAINLESS STEEL	F593 S31600
186	STAND HEX NUT (STANDARD)	STAINLESS STEEL	F594 S30400
	STAND HEX NUT (OPTION)	STAINLESS STEEL	F594 S31600
277	FLAT HEAD SCREW (STANDARD)	STAINLESS STEEL	TYPE 304
	FLAT HEAD SCREW (OPTION)	STAINLESS STEEL	TYPE 316
320	BONNET GASKET	GARLOCK BLUE-GUARD 3200	F104
345	PACKING (STANDARD)	GARLOCK	STYLE 18
	O-RING SLEEVE (OPTION)	ALUMINUM BRONZE	B505 C95400
358	PACKING BOX O-RING	RUBBER (BUNA-N)	D2000
500	BYPASS VALVE*	-	-

NOTE: O-RING SLEEVE OPTION AVAILABLE FOR 30" - 36" VALVES ONLY

*SEE SEPARATE CATALOG PAGE FOR BYPASS DETAILS

*SEE SEPARATE CATALOG PAGE FOR FLUSHING PORT DETAILS



KENNEDY VALVE
Division of McWane, Inc.
1021 EAST WATER STREET ELMIRA, NEW YORK 14901

DWN: D SKAKAL

DATE: 6/26/17

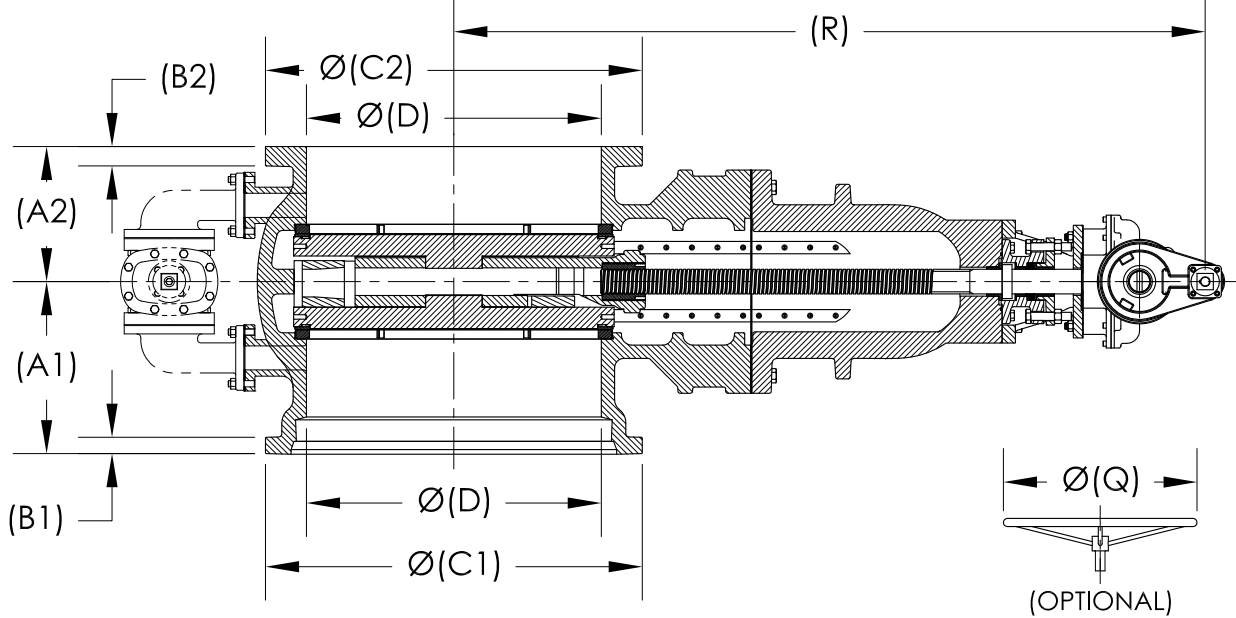
DWG. NO.

CAT910C10144-01

TITLE:

SERIES 55 - ROTATING DISC GATE VALVE
30" - 48" - NRS
MJ x MJ - SPUR GEAR - PL
(SIDE BYPASS - OPTIONAL)

THIS DRAWING AND ALL INFORMATION IS KENNEDY VALVE PROPERTY AND SHALL NOT BE USED, COPIED, OR REPRODUCED WITHOUT WRITTEN CONSENT. DESIGN AND INVENTION RIGHTS RESERVED.



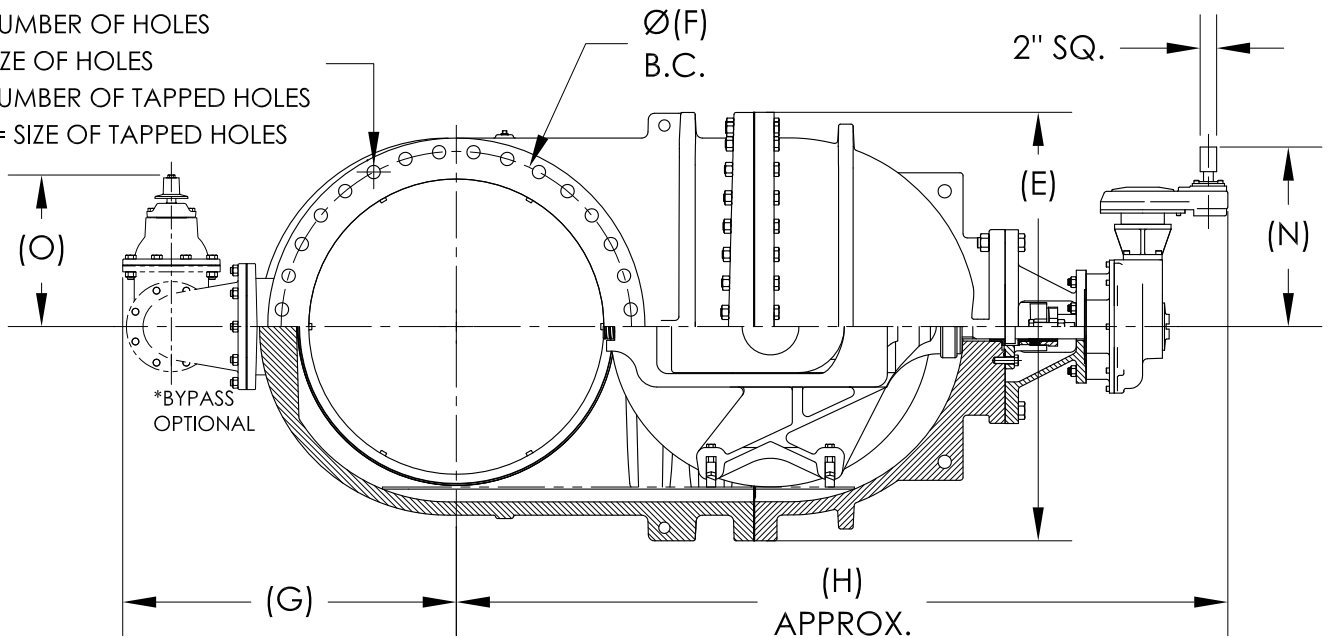
EACH FLANGE

(J) = NUMBER OF HOLES

(K) = SIZE OF HOLES

(L) = NUMBER OF TAPPED HOLES

Ø(M) = SIZE OF TAPPED HOLES



- NOTE 1: 24" VALVE SHOWN
 NOTE 2: #1 DIMENSIONS REPRESENT MJ END CONNECTION
 NOTE 3: #2 DIMENSIONS REPRESENT FL END CONNECTION
 NOTE 4: BOTTOM BYPASS OPTIONAL

SIZE Ø(D)	(A1)	(A2)	(B1)	(B2)	Ø(C1)	Ø(C2)	(E)	Ø(F1)	Ø(F2)	(G)	(H)	-	(J1)	(J2)	Ø(K1)	Ø(K2)	(L1)	(L2)	Ø(M1)	Ø(M2)	(N)	(O)	-	(Q)	(R)	BYPASS SIZE	APPROX. WEIGHT	# OF TURNS AT GEAR*	RATIO [XXX:1]	GEAR
30.0	38.5	30.0	1.70	2.12	36.9	38.7	44.1	36.0	36.0	34.3	83.9	-	20	28	1 1/8	1 3/8	-	-	-	-	22.6	15.0	-	24.0	80.5	4	7700	1059	16.4	IB8/ AS5
36.0	42.0	33.0	2.08	2.38	46.0	46.0	52.3	42.8	42.8	40.7	95.1	-	24	30	1 1/8	1 5/8	-	2	-	1 1/2 - 6	24.4	18.5	-	32.0	91.7	6	12500	1877	24.6	IB11/ AS5
42.0	46.0	35.8	2.08	2.62	46.0	53.0	58.5	58.5	49.5	44.8	109.1	-	36	36	1 3/8	1 5/8	-	-	-	-	26.6	18.5	-	32.0	105.7	6	15931	2926	32.8	IB12/ AS5
48.0	48.0	40.0	4.38	2.76	60.0	59.5	69.0	57.5	56.0	52.3	126.8	-	36	44	1 3/8	1 5/8	-	-	-	-	30.7	21.9	-	32.0	123.5	8	22572	4987	48.8	IB13/ AS8

* ± 2% TURNS AT VALVE STEM.

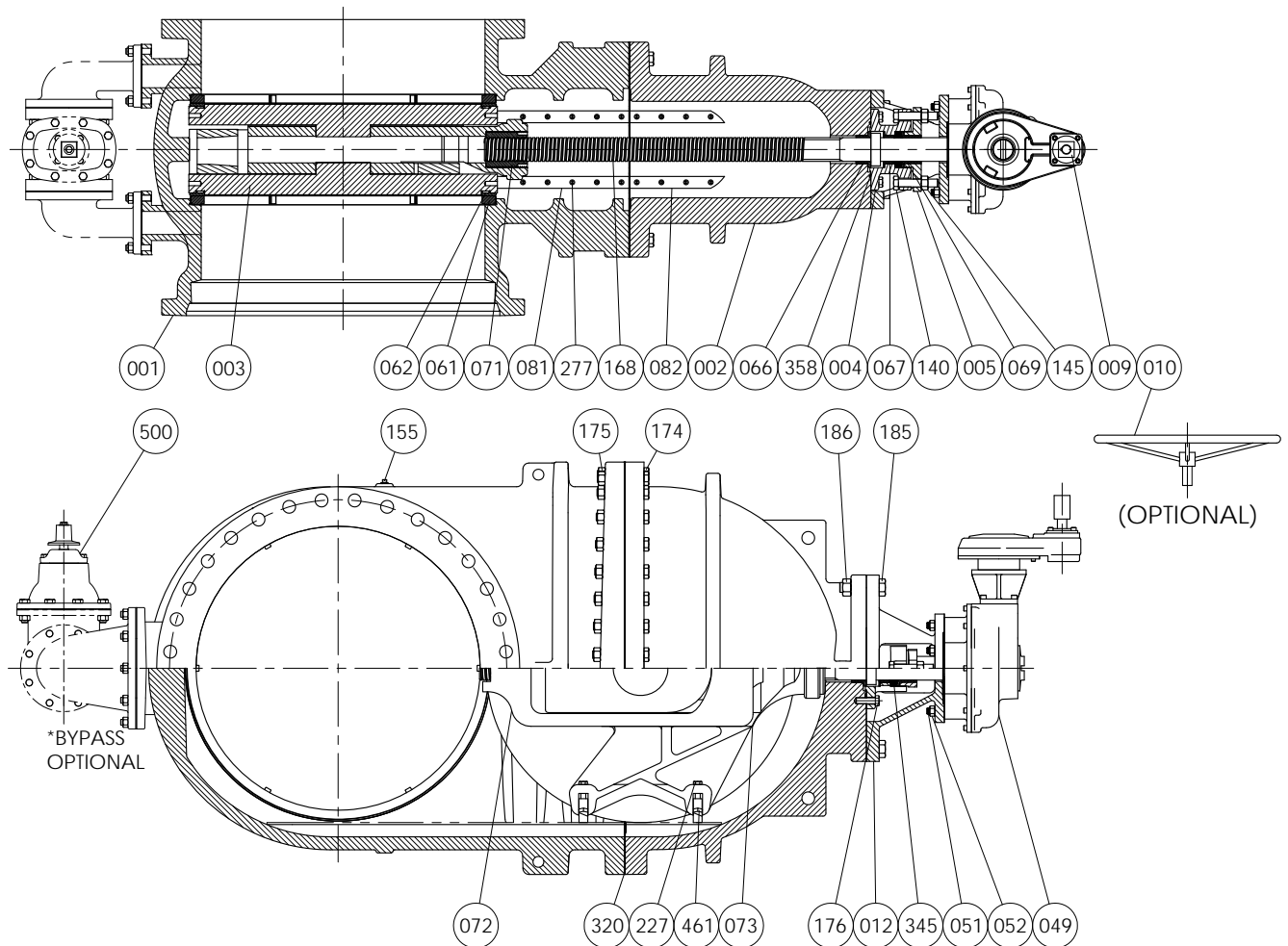


KENNEDY VALVE
 Division of McWane, Inc.
 1021 EAST WATER STREET ELMIRA, NEW YORK 14901

DWN: D SKAKAL
 DATE: 6/22/17
 DWG. NO.
 CAT910C10149-01

TITLE:
SERIES 525 - ROTATING DISC GATE VALVE
 30" - 48" - NRS
 FL x MJ - BEVEL GEAR - GD
 (BOTTOM BYPASS - OPTIONAL)

THIS DRAWING AND ALL INFORMATION IS KENNEDY VALVE PROPERTY AND SHALL NOT BE USED, COPIED, OR REPRODUCED WITHOUT WRITTEN CONSENT. DESIGN AND INVENTION RIGHTS RESERVED.



NO.	DESCRIPTION	MATERIAL	ASTM DESIGNATION
001	BODY	DUCTILE IRON	A536 GRADE 65-45-12/ 70-50-05
002	BONNET	DUCTILE IRON	A536 GRADE 65-45-12/ 70-50-05
003	DISC	DUCTILE IRON	A536 GRADE 65-45-12/ 70-50-05
004	PACKING BOX	DUCTILE IRON	A536 GRADE 65-45-12/ 70-50-05
005	PACKING GLAND	DUCTILE IRON	A536 GRADE 65-45-12/ 70-50-05
009	2" SQ. OP. NUT (STANDARD)	CARBON STEEL	A36
010	HANDWHEEL (OPTION)	STEEL	-
012	STAND	DUCTILE IRON	A536 GRADE 65-45-12/ 70-50-05
049	BEVEL GEAR	-	-
	GEAR STUD (STANDARD)	STAINLESS STEEL	F593 S30400
	GEAR STUD (OPTION)	STAINLESS STEEL	F593 S31600
	GEAR NUT (STANDARD)	STAINLESS STEEL	F594 S30400
	GEAR NUT (OPTION)	STAINLESS STEEL	F594 S31600
	BODY SEAT RING (STANDARD)	BRONZE	B148 C95400
	BODY SEAT RING (OPTION)	BRONZE	B62 C83600
062	DISC SEAT RING	BRONZE	B62 C83600
066	BONNET BUSHING	BRONZE	B505 C95400
067	PACKING BOX BUSHING	BRONZE	B505 C95400
069	GLAND BUSHING	BRONZE	B505 C95400
071	STEM NUT	BRONZE	B505 C95400
072	LOWER WEDGE	DUCTILE IRON	A536 GRADE 65-45-12/ 70-50-05
073	UPPER WEDGE	DUCTILE IRON	A536 GRADE 65-45-12/ 70-50-05
081	BODY GUIDE	BRONZE	B505 C95400
082	BONNET GUIDE	BRONZE	B505 C95400
140	GLAND BOLT (STANDARD)	STAINLESS STEEL	F593 S30400
	GLAND BOLT (OPTION)	STAINLESS STEEL	F593 S31600

NO.	DESCRIPTION	MATERIAL	ASTM DESIGNATION
145	GLAND HEX NUT	BRONZE	F467 C65100
155	PIPE PLUG (STANDARD)	STAINLESS STEEL	TYPE 304
	PIPE PLUG (OPTION)	STAINLESS STEEL	TYPE 316
168	STEM (STANDARD)	STAINLESS STEEL	A276 S30400
	STEM (OPTION)	STAINLESS STEEL	A276 S31600
174	BONNET HEX BOLT (STANDARD)	STAINLESS STEEL	F593 S30400
	BONNET HEX BOLT (OPTION)	STAINLESS STEEL	F593 S31600
175	BONNET HEX NUT (STANDARD)	STAINLESS STEEL	F594 S30400
	BONNET HEX NUT (OPTION)	STAINLESS STEEL	F594 S31600
176	PACKING BOX HEX BOLT (STANDARD)	STAINLESS STEEL	F593 S30400
	PACKING BOX HEX BOLT (OPTION)	STAINLESS STEEL	F593 S31600
185	STAND HEX BOLT (STANDARD)	STAINLESS STEEL	F593 S30400
	STAND HEX BOLT (OPTION)	STAINLESS STEEL	F593 S31600
186	STAND HEX NUT (STANDARD)	STAINLESS STEEL	F594 S30400
	STAND HEX NUT (OPTION)	STAINLESS STEEL	F594 S31600
227	SCRAPER BOLT (STANDARD)	STAINLESS STEEL	F593 S30400
	SCRAPER BOLT (OPTION)	STAINLESS STEEL	F593 S31600
277	FLAT HEAD SCREW (STANDARD)	STAINLESS STEEL	TYPE 304
	FLAT HEAD SCREW (OPTION)	STAINLESS STEEL	TYPE 316
320	BONNET GASKET	GARLOCK BLUE-GUARD 3200	F104
	PACKING (STANDARD)	GARLOCK	STYLE 18
345	O-RING SLEEVE (OPTION)	ALUMINUM BRONZE	B505 C95400
358	PACKING BOX O-RING	RUBBER (BUNA-N)	D2000
461	MUD SCRAPERS	BRONZE	B148 C95400
500	BYPASS VALVE*	-	-

NOTE: O-RING SLEEVE OPTION AVAILABLE FOR 30" - 36" VALVES ONLY

*SEE SEPARATE CATALOG PAGE FOR BYPASS DETAILS



KENNEDY VALVE
Division of McWane, Inc.
1021 EAST WATER STREET ELMIRA, NEW YORK 14901

DWN: D SKAKAL

DATE: 6/22/17

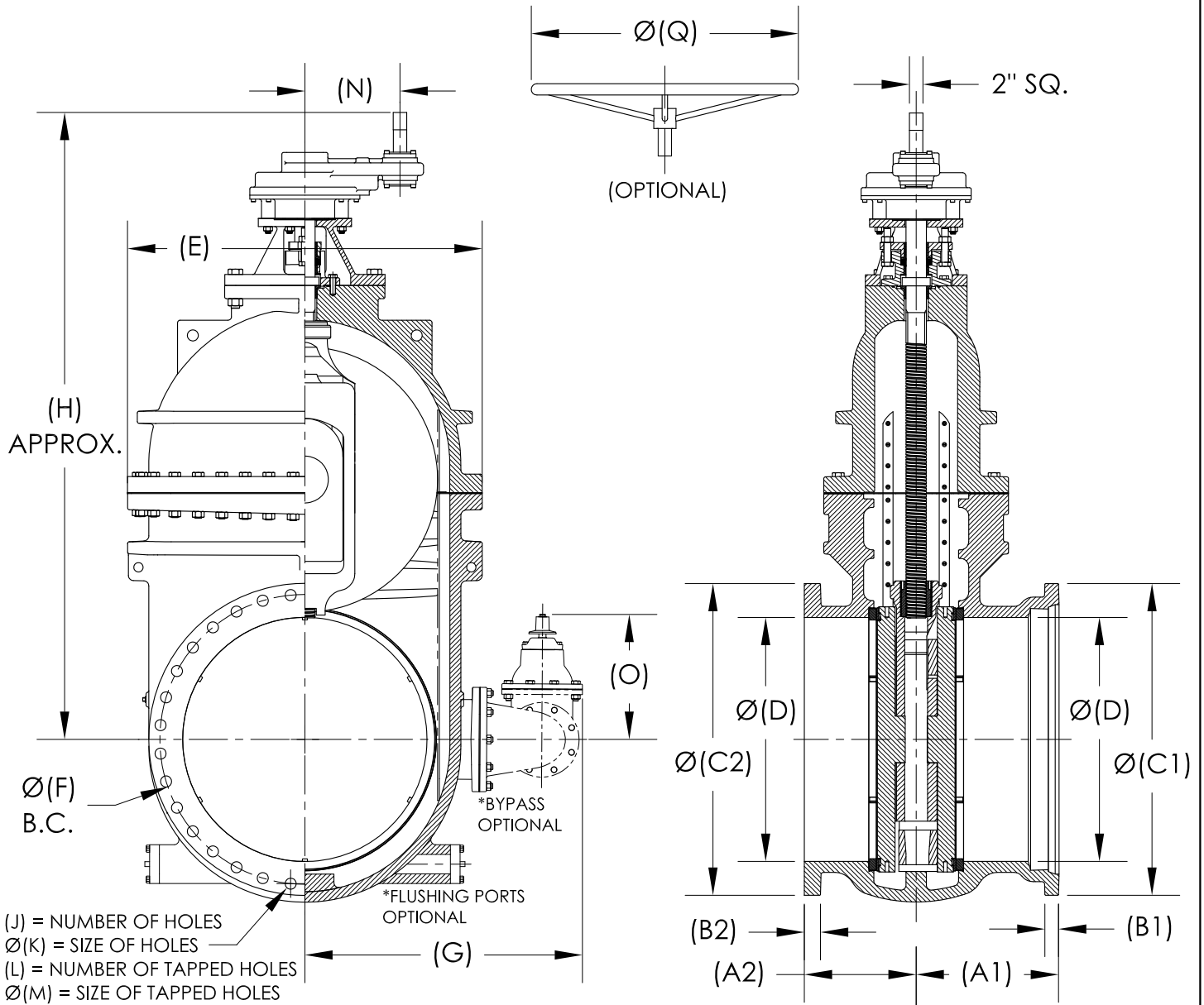
DWG. NO.

CAT910C10150-01

TITLE:

SERIES 525 - ROTATING DISC GATE VALVE
30" - 48" - NRS
FL x MJ - BEVEL GEAR - PL
(BOTTOM BYPASS - OPTIONAL)

THIS DRAWING AND ALL INFORMATION IS KENNEDY VALVE PROPERTY AND SHALL NOT BE USED, COPIED, OR REPRODUCED WITHOUT WRITTEN CONSENT. DESIGN AND INVENTION RIGHTS RESERVED.



NOTE 1: 24" VALVE SHOWN
 NOTE 2: #1 DIMENSIONS REPRESENT MJ END CONNECTION
 NOTE 3: #2 DIMENSIONS REPRESENT FL END CONNECTION
 NOTE 4: SIDE BYPASS OPTIONAL
 NOTE 5: FLUSHING PORTS OPTIONAL

SIZE Ø(D)	(A1)	(A2)	(B1)	(B2)	Ø(C1)	Ø(C2)	(E)	Ø(F1)	Ø(F2)	(G)	(H)	-	(J1)	(J2)	Ø(K1)	Ø(K2)	(L1)	(L2)	Ø(M1)	Ø(M2)	(N)	(O)	-	(Q)	BYPASS SIZE	APPROX. WEIGHT	# OF TURNS AT GEAR*	RATIO (XXX:1)	GEAR
30.0	38.5	30.0	1.70	2.12	36.9	38.7	44.1	36.0	36.0	34.3	79.8	-	20	28	1 1/8	1 3/8	-	-	-	-	13.1	15.0	-	24.0	4	7700	1059	16.4	1B8/ AS5
36.0	42.0	33.0	2.08	2.38	46.0	46.0	52.3	42.8	42.8	40.7	92.5	-	24	30	1 1/8	1 5/8	-	2	-	1 1/2 - 6	14.0	18.5	-	32.0	6	12500	1877	24.6	1B11/ AS5
42.0	46.0	35.8	2.08	2.62	46.0	53.0	58.5	50.6	49.5	44.9	115.0	-	36	36	1 3/8	1 5/8	-	-	-	-	24.1	18.5	-	32.0	6	15931	2926	32.8	1B12/ AS5
48.0	48.0	40.0	4.83	2.76	60.0	59.5	69.0	57.5	56.0	52.4	131.7	-	36	44	1 3/8	1 5/8	-	-	-	-	29.1	21.9	-	32.0	8	22572	4987	48.8	1B13/ AS8

* ± 2% TURNS AT VALVE STEM.

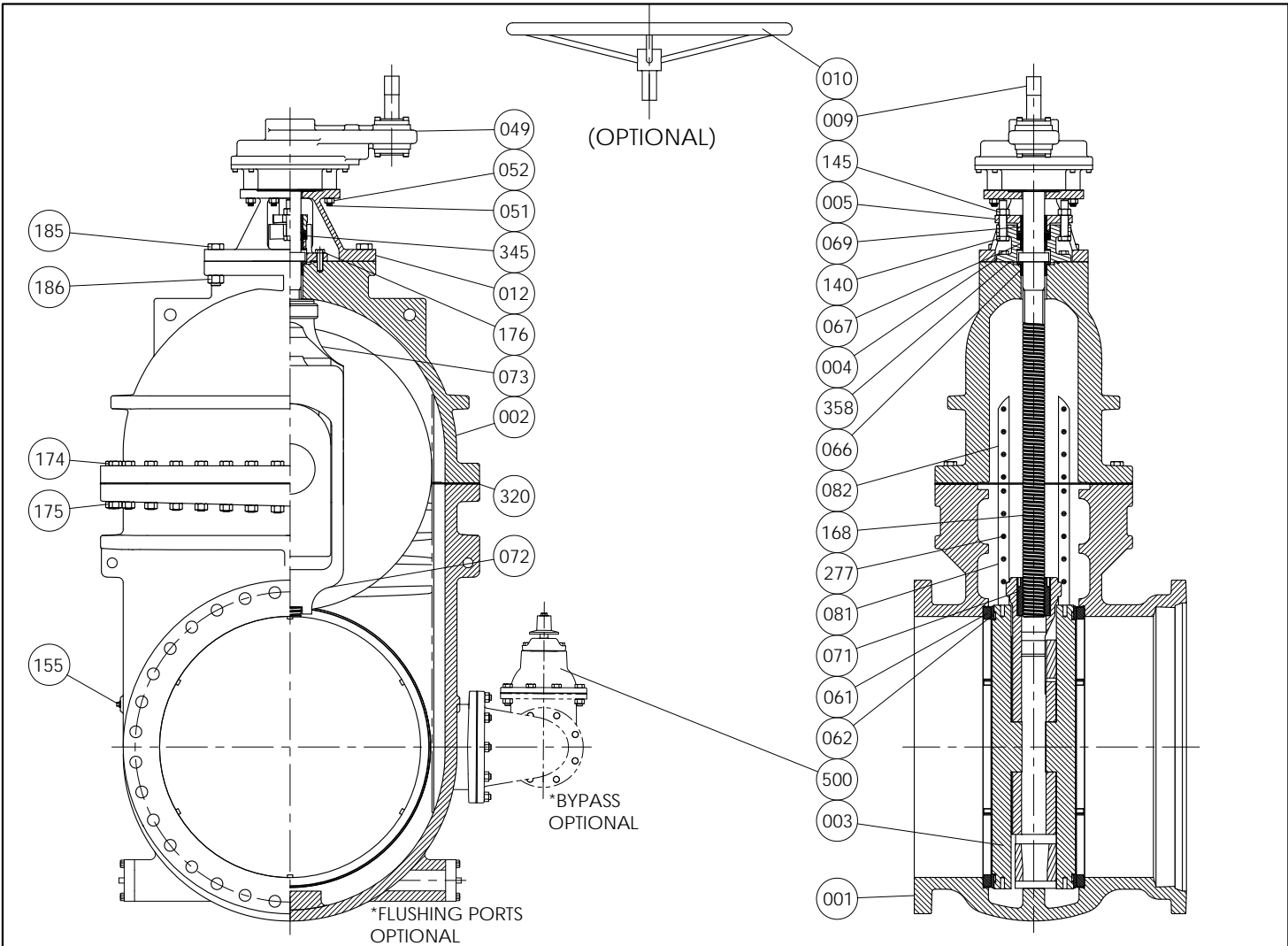


KENNEDY VALVE
 Division of McWane, Inc.
 1021 EAST WATER STREET ELMIRA, NEW YORK 14901

DWN: D SKAKAL
 DATE: 6/23/17
 DWG. NO.
 CAT910C10151-01

TITLE:
SERIES 525 - ROTATING DISC GATE VALVE
 30" - 48" - NRS
 FL x MJ - SPUR GEAR - GD
 (SIDE BYPASS - OPTIONAL)

THIS DRAWING AND ALL INFORMATION IS KENNEDY VALVE PROPERTY AND SHALL NOT BE USED, COPIED, OR REPRODUCED WITHOUT WRITTEN CONSENT. DESIGN AND INVENTION RIGHTS RESERVED.




NO.	DESCRIPTION	MATERIAL	ASTM DESIGNATION
001	BODY	DUCTILE IRON	A536 GRADE 65-45-12/ 70-50-05
002	BONNET	DUCTILE IRON	A536 GRADE 65-45-12/ 70-50-05
003	DISC	DUCTILE IRON	A536 GRADE 65-45-12/ 70-50-05
004	PACKING BOX	DUCTILE IRON	A536 GRADE 65-45-12/ 70-50-05
005	PACKING GLAND	DUCTILE IRON	A536 GRADE 65-45-12/ 70-50-05
009	2" SQ. OP. NUT (STANDARD)	CARBON STEEL	A36
010	HANDWHEEL (OPTION)	STEEL	-
012	STAND	DUCTILE IRON	A536 GRADE 65-45-12/ 70-50-05
049	BEVEL GEAR	-	-
051	GEAR STUD (STANDARD)	STAINLESS STEEL	F593 S30400
	GEAR STUD (OPTION)	STAINLESS STEEL	F593 S31600
052	GEAR NUT (STANDARD)	STAINLESS STEEL	F594 S30400
	GEAR NUT (OPTION)	STAINLESS STEEL	F594 S31600
061	BODY SEAT RING (STANDARD)	BRONZE	B148 C95400
	BODY SEAT RING (OPTION)	BRONZE	B62 C83600
062	DISC SEAT RING	BRONZE	B62 C83600
066	BONNET BUSHING	BRONZE	B505 C95400
067	PACKING BOX BUSHING	BRONZE	B505 C95400
069	GLAND BUSHING	BRONZE	B505 C95400
071	STEM NUT	BRONZE	B505 C95400
072	LOWER WEDGE	DUCTILE IRON	A536 GRADE 65-45-12/ 70-50-05
073	UPPER WEDGE	DUCTILE IRON	A536 GRADE 65-45-12/ 70-50-05
081	BODY GUIDE	BRONZE	B505 C95400
082	BONNET GUIDE	BRONZE	B505 C95400

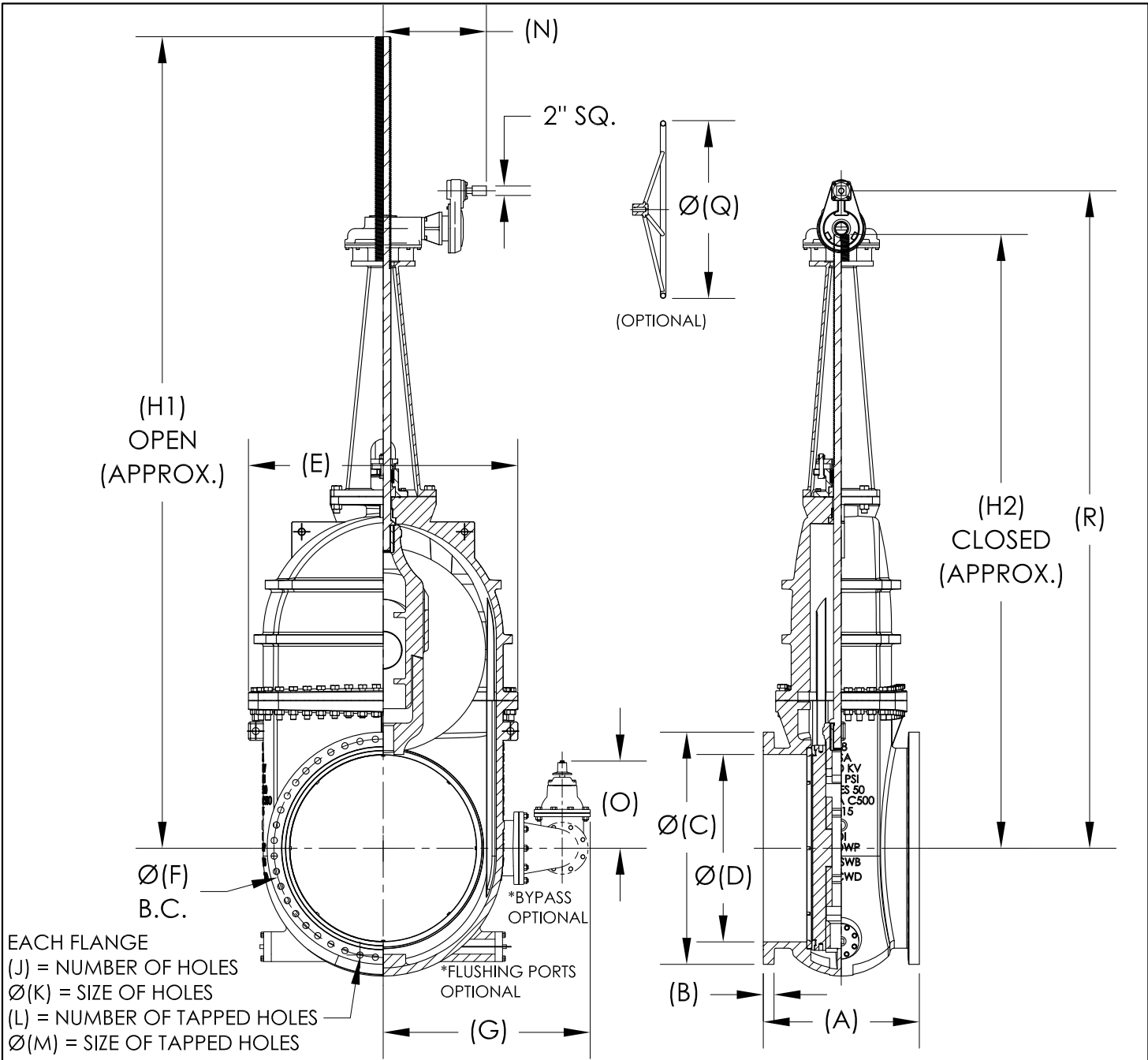
NO.	DESCRIPTION	MATERIAL	ASTM DESIGNATION
140	GLAND BOLT (STANDARD)	STAINLESS STEEL	F593 S30400
	GLAND BOLT (OPTION)	STAINLESS STEEL	F593 S31600
145	GLAND HEX NUT	BRONZE	F467 C65100
155	PIPE PLUG (STANDARD)	STAINLESS STEEL	TYPE 304
	PIPE PLUG (OPTION)	STAINLESS STEEL	TYPE 316
168	STEM (STANDARD)	STAINLESS STEEL	A276 S30400
	STEM (OPTION)	STAINLESS STEEL	A276 S31600
	BONNET HEX BOLT (STANDARD)	STAINLESS STEEL	F593 S30400
174	BONNET HEX BOLT (OPTION)	STAINLESS STEEL	F593 S31600
175	BONNET HEX NUT (STANDARD)	STAINLESS STEEL	F594 S30400
	BONNET HEX NUT (OPTION)	STAINLESS STEEL	F594 S31600
176	PACKING BOX HEX BOLT (STANDARD)	STAINLESS STEEL	F593 S30400
	PACKING BOX HEX BOLT (OPTION)	STAINLESS STEEL	F593 S31600
185	STAND HEX BOLT (STANDARD)	STAINLESS STEEL	F593 S30400
	STAND HEX BOLT (OPTION)	STAINLESS STEEL	F593 S31600
186	STAND HEX NUT (STANDARD)	STAINLESS STEEL	F594 S30400
	STAND HEX NUT (OPTION)	STAINLESS STEEL	F594 S31600
277	FLAT HEAD SCREW (STANDARD)	STAINLESS STEEL	TYPE 304
	FLAT HEAD SCREW (OPTION)	STAINLESS STEEL	TYPE 316
320	BONNET GASKET	GARLOCK BLUE-GUARD 3200	F104
345	PACKING (STANDARD)	GARLOCK	STYLE 18
	O-RING SLEEVE (OPTION)	ALUMINUM BRONZE	B505 C95400
358	PACKING BOX O-RING	RUBBER (BUNA-N)	D2000
500	BYPASS VALVE*	-	-

NOTE: O-RING SLEEVE OPTION AVAILABLE FOR 30" - 36" VALVES ONLY

*SEE SEPARATE CATALOG PAGE FOR BYPASS DETAILS
 *SEE SEPARATE CATALOG PAGE FOR FLUSHING PORT DETAILS

 KENNEDY VALVE Division of McWane, Inc. 1021 EAST WATER STREET ELMIRA, NEW YORK 14901	DWN: D SKAKAL	TITLE: SERIES 525 - ROTATING DISC GATE VALVE 30" - 48" - NRS FL x MJ - SPUR GEAR - PL (SIDE BYPASS - OPTIONAL)
	DATE: 6/23/17	
	DWG. NO. CAT910C10152-01	

THIS DRAWING AND ALL INFORMATION IS KENNEDY VALVE PROPERTY AND SHALL NOT BE USED, COPIED, OR REPRODUCED WITHOUT WRITTEN CONSENT. DESIGN AND INVENTION RIGHTS RESERVED.




EACH FLANGE
 (J) = NUMBER OF HOLES
 Ø(K) = SIZE OF HOLES
 (L) = NUMBER OF TAPPED HOLES
 Ø(M) = SIZE OF TAPPED HOLES

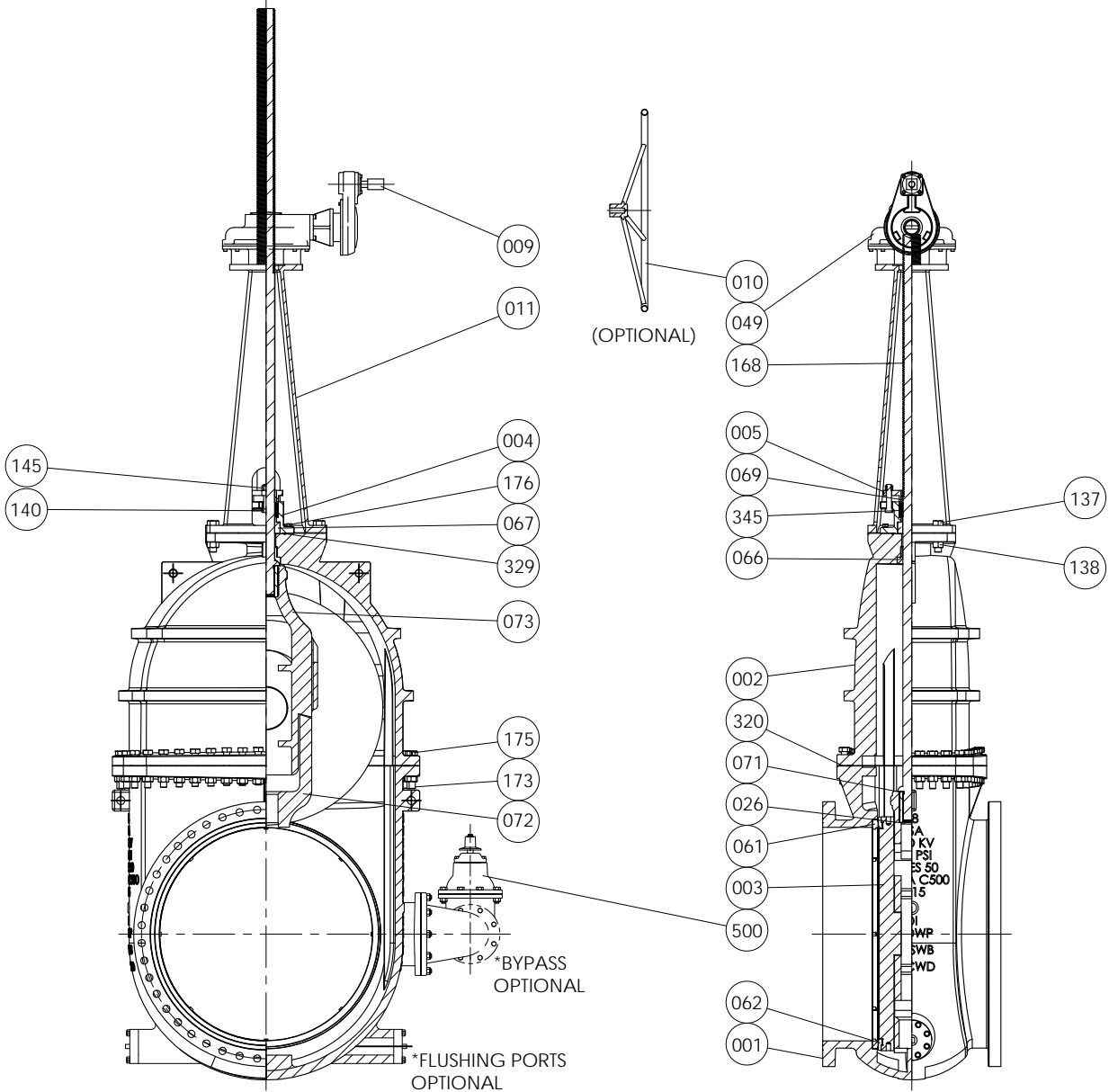
NOTE 1: 48" VALVE SHOWN
 NOTE 2: SIDE BYPASS OPTIONAL
 NOTE 3: FLUSHING PORTS OPTIONAL

SIZE Ø(D)	(A)	(B)	Ø(C)	(E)	Ø(F)	(G)	(H1)	(H2)	(J)	Ø(K)	(L)	Ø(M)	(N)	(O)	-	Ø(Q)	(R)	BYPASS SIZE	APPROX. WEIGHT	# OF TURNS AT GEAR*	RATIO (XXX:1)	GEAR
30.0	30.0	2.12	38.7	44.1	36.0	34.3	136.0	104.0	28	1 3/8	-	-	22.6	15.0	-	24.0	111.7	4	7700	1059	16.4	IB8/ AS5
36.0	33.0	2.38	46.0	52.3	42.8	41.0	153.4	115.2	32	1 5/8	2	1 1/2 - 6	24.4	18.5	-	32.0	124.7	6	12500	1877	24.6	IB11/ AS5
42.0	35.8	2.62	53.0	58.5	49.5	44.9	191.0	147.4	36	1 5/8	4	1 1/2 - 6	26.6	18.5	-	32.0	153.4	6	15931	2926	32.8	IB12/ AS5
48.0	40.0	2.75	59.5	69.0	55.8	52.4	220.0	157.0	44	1 5/8	-	-	30.7	21.9	-	32.0	171.0	8	22572	4987	48.8	IB13/ AS8

* ± 2% TURNS AT VALVE STEM.

 KENNEDY VALVE Division of McWane, Inc. 1021 EAST WATER STREET ELMIRA, NEW YORK 14901	DWN: D SKAKAL	TITLE: SERIES 50 - ROTATING DISC GATE VALVE 30" - 48" - OS&Y FL x FL - CL125 - BEVEL GEAR - GD (SIDE BYPASS - OPTIONAL)
	DATE: 6/28/17	
	DWG. NO. CAT910C10157-01	

THIS DRAWING AND ALL INFORMATION IS KENNEDY VALVE PROPERTY AND SHALL NOT BE USED, COPIED, OR REPRODUCED WITHOUT WRITTEN CONSENT. DESIGN AND INVENTION RIGHTS RESERVED.



NO.	DESCRIPTION	MATERIAL	ASTM DESIGNATION
001	BODY	DUCTILE IRON	A536 GRADE 65-45-12/ 70-50-05
002	BONNET	DUCTILE IRON	A536 GRADE 65-45-12/ 70-50-05
003	DISC	DUCTILE IRON	A536 GRADE 65-45-12/ 70-50-05
004	PACKING BOX	DUCTILE IRON	A536 GRADE 65-45-12/ 70-50-05
005	PACKING GLAND	DUCTILE IRON	A536 GRADE 65-45-12/ 70-50-05
009	2" SQ. OP. NUT (STANDARD)	CARBON STEEL	A36
010	HANDWHEEL (OPTION)	STEEL	-
011	OS&Y STAND/YOKE	DUCTILE IRON	A536 GRADE 65-45-12/ 70-50-05
026	STEM PIN (STANDARD)	STAINLESS STEEL	A276 S30400
	STEM PIN (OPTION)	STAINLESS STEEL	A276 S31600
049	BEVEL GEAR	-	-
061	BODY SEAT RING (STANDARD)	BRONZE	B148 C95400
	BODY SEAT RING (OPTION)	BRONZE	B62 C83600
062	DISC SEAT RING	BRONZE	B62 C83600
066	BONNET BUSHING	BRONZE	B505 C95400
067	PACKING BOX BUSHING	BRONZE	B505 C95400
069	GLAND BUSHING	BRONZE	B505 C95400
071	STEM NUT	BRONZE	B505 C95400
072	LOWER WEDGE	DUCTILE IRON	A536 GRADE 65-45-12/ 70-50-05

NO.	DESCRIPTION	MATERIAL	ASTM DESIGNATION
073	UPPER WEDGE	DUCTILE IRON	A536 GRADE 65-45-12/ 70-50-05
137	YOKE HEX BOLT (STANDARD)	STAINLESS STEEL	F593 S30400
	YOKE HEX BOLT (OPTION)	STAINLESS STEEL	F593 S31600
138	YOKE HEX NUT (STANDARD)	STAINLESS STEEL	F594 S30400
	YOKE HEX NUT (OPTION)	STAINLESS STEEL	F594 S31600
140	GLAND BOLT (STANDARD)	STAINLESS STEEL	F593 S30400
	GLAND BOLT (OPTION)	STAINLESS STEEL	F593 S31600
145	GLAND HEX NUT	BRONZE	F467 C65100
168	STEM (STANDARD)	STAINLESS STEEL	A276 S30400
	STEM (OPTION)	STAINLESS STEEL	A276 S31600
173	BONNET STUD	STAINLESS STEEL	A193 GRADE B8
	BONNET HEX NUT (STANDARD)	STAINLESS STEEL	F594 S30400
	BONNET HEX NUT (OPTION)	STAINLESS STEEL	F594 S31600
176	PACKING BOX HEX BOLT	-	-
320	BONNET GASKET	GARLOCK	#3200
329	O-RING	RUBBER (BUNA)	D2000
345	PACKING	GARLOCK	STYLE 18
500	BYPASS VALVE*	-	-

*SEE SEPARATE CATALOG PAGE FOR FLUSHING PORT DETAILS

NOTE: O-RING SLEEVE OPTION AVAILABLE FOR 30" - 36" VALVES ONLY

*SEE SEPARATE CATALOG PAGE FOR BYPASS DETAILS



KENNEDY VALVE
Division of McWane, Inc.
1021 EAST WATER STREET ELMIRA, NEW YORK 14901

DWN: D SKAKAL

DATE: 6/28/17

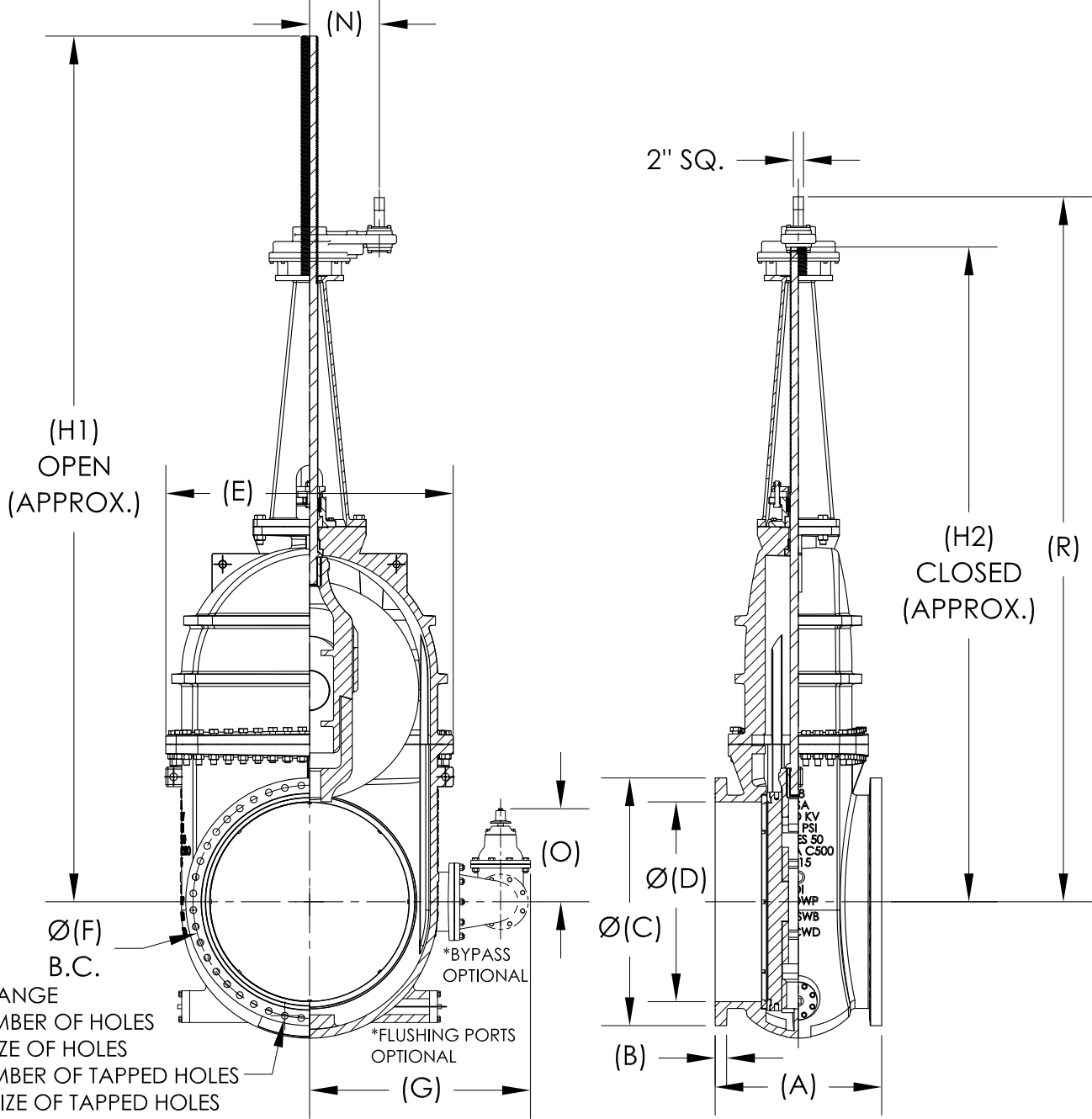
DWG. NO.

CAT910C10158-01

TITLE:

SERIES 50 - ROTATING DISC GATE VALVE
30" - 48" - OS&Y
FL x FL - CL125 - BEVEL GEAR - PL
(SIDE BYPASS - OPTIONAL)

THIS DRAWING AND ALL INFORMATION IS KENNEDY VALVE PROPERTY AND SHALL NOT BE USED, COPIED, OR REPRODUCED WITHOUT WRITTEN CONSENT. DESIGN AND INVENTION RIGHTS RESERVED.



EACH FLANGE
 (J) = NUMBER OF HOLES
 Ø(K) = SIZE OF HOLES
 (L) = NUMBER OF TAPPED HOLES
 Ø(M) = SIZE OF TAPPED HOLES

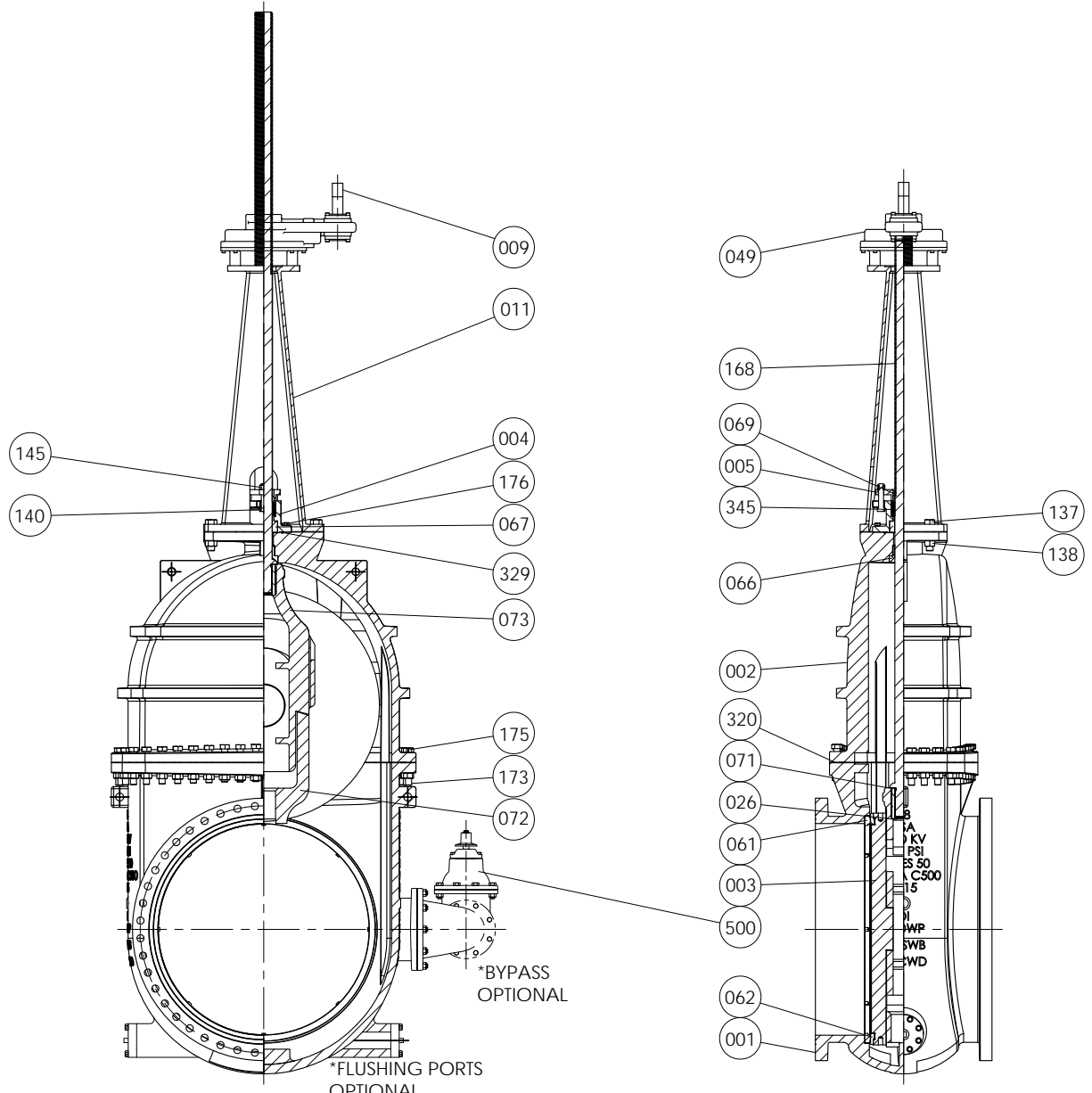
NOTE 1: 48" VALVE SHOWN
 NOTE 2: SIDE BYPASS OPTIONAL
 NOTE 3: FLUSHING PORTS OPTIONAL

SIZE Ø(D)	(A)	(B)	Ø(C)	(E)	Ø(F)	(G)	(H1)	(H2)	(J)	Ø(K)	(L)	Ø(M)	(N)	(O)	-	-	(R)	BYPASS SIZE	APPROX. WEIGHT	# OF TURNS AT GEAR*	RATIO (XXX:1)	GEAR
30.0	30.0	2.12	38.7	44.1	36.0	34.3	136.0	104.0	28	1 3/8	-	-	13.1	15.0	-	-	112.2	4	7700	792	12	IS8
36.0	33.0	2.38	46.0	52.3	42.8	41.0	153.4	115.2	32	1 5/8	2	1 1/2 - 6	14.0	18.5	-	-	125.5	6	12500	1119	15	IS11
42.0	35.8	2.62	53.0	58.5	49.5	44.9	191.0	147.4	36	1 5/8	4	1 1/2 - 6	24.1	18.5	-	-	165.4	6	15931	2959	33	IS12/ AS5
48.0	40.0	2.75	59.5	69.0	55.8	52.4	220.0	157.0	44	1 5/8	-	-	29.1	21.9	-	-	182.1	8	22572	5043	49	IS13/ AS8

* ± 2% TURNS AT VALVE STEM.

 KENNEDY VALVE Division of McWane, Inc. 1021 EAST WATER STREET ELMIRA, NEW YORK 14901	DWN: D SKAKAL	TITLE: SERIES 50 - ROTATING DISC GATE VALVE 30" - 48" - OS&Y FL x FL - CL125 - SPUR GEAR - GD (SIDE BYPASS - OPTIONAL)
	DATE: 7/6/17	
	DWG. NO. CAT910C10159-01	

THIS DRAWING AND ALL INFORMATION IS KENNEDY VALVE PROPERTY AND SHALL NOT BE USED, COPIED, OR REPRODUCED WITHOUT WRITTEN CONSENT. DESIGN AND INVENTION RIGHTS RESERVED.



NO.	DESCRIPTION	MATERIAL	ASTM DESIGNATION
001	BODY	DUCTILE IRON	A536 GRADE 65-45-12/ 70-50-05
002	BONNET	DUCTILE IRON	A536 GRADE 65-45-12/ 70-50-05
003	DISC	DUCTILE IRON	A536 GRADE 65-45-12/ 70-50-05
004	PACKING BOX	DUCTILE IRON	A536 GRADE 65-45-12/ 70-50-05
005	PACKING GLAND	DUCTILE IRON	A536 GRADE 65-45-12/ 70-50-05
009	2" SQ. OP. NUT	CARBON STEEL	A36
011	OS&Y STAND/YOKE	DUCTILE IRON	A536 GRADE 65-45-12/ 70-50-05
026	STEM PIN (STANDARD)	STAINLESS STEEL	A276 S30400
026	STEM PIN (OPTION)	STAINLESS STEEL	A276 S31600
049	SPUR GEAR	-	-
061	BODY SEAT RING (STANDARD)	BRONZE	B148 C95400
061	BODY SEAT RING (OPTION)	BRONZE	B62 C83600
062	DISC SEAT RING	BRONZE	B62 C83600
066	BONNET BUSHING	BRONZE	B505 C95400
067	PACKING BOX BUSHING	BRONZE	B505 C95400
069	GLAND BUSHING	BRONZE	B505 C95400
071	STEM NUT	BRONZE	B505 C95400
072	LOWER WEDGE	DUCTILE IRON	A536 GRADE 65-45-12/ 70-50-05

NO.	DESCRIPTION	MATERIAL	ASTM DESIGNATION
073	UPPER WEDGE	DUCTILE IRON	A536 GRADE 65-45-12/ 70-50-05
137	YOKE HEX BOLT (STANDARD)	STAINLESS STEEL	F593 S30400
137	YOKE HEX BOLT (OPTION)	STAINLESS STEEL	F593 S31600
138	YOKE HEX NUT (STANDARD)	STAINLESS STEEL	F594 S30400
138	YOKE HEX NUT (OPTION)	STAINLESS STEEL	F594 S31600
140	GLAND BOLT (STANDARD)	STAINLESS STEEL	F593 S30400
140	GLAND BOLT (OPTION)	STAINLESS STEEL	F593 S31600
145	GLAND HEX NUT	BRONZE	F467 C65100
168	STEM (STANDARD)	STAINLESS STEEL	A276 S30400
168	STEM (OPTION)	STAINLESS STEEL	A276 S31600
173	BONNET STUD	STAINLESS STEEL	A193 GRADE B8
175	BONNET HEX NUT (STANDARD)	STAINLESS STEEL	F594 S30400
175	BONNET HEX NUT (OPTION)	STAINLESS STEEL	F594 S31600
176	PACKING BOX HEX BOLT	-	-
320	BONNET GASKET	GARLOCK	#3200
329	O-RING	RUBBER (BUNA)	D2000
345	PACKING	GARLOCK	STYLE 18
500	BYPASS VALVE*	-	-

*SEE SEPARATE CATALOG PAGE FOR FLUSHING PORT DETAILS

*SEE SEPARATE CATALOG PAGE FOR BYPASS DETAILS

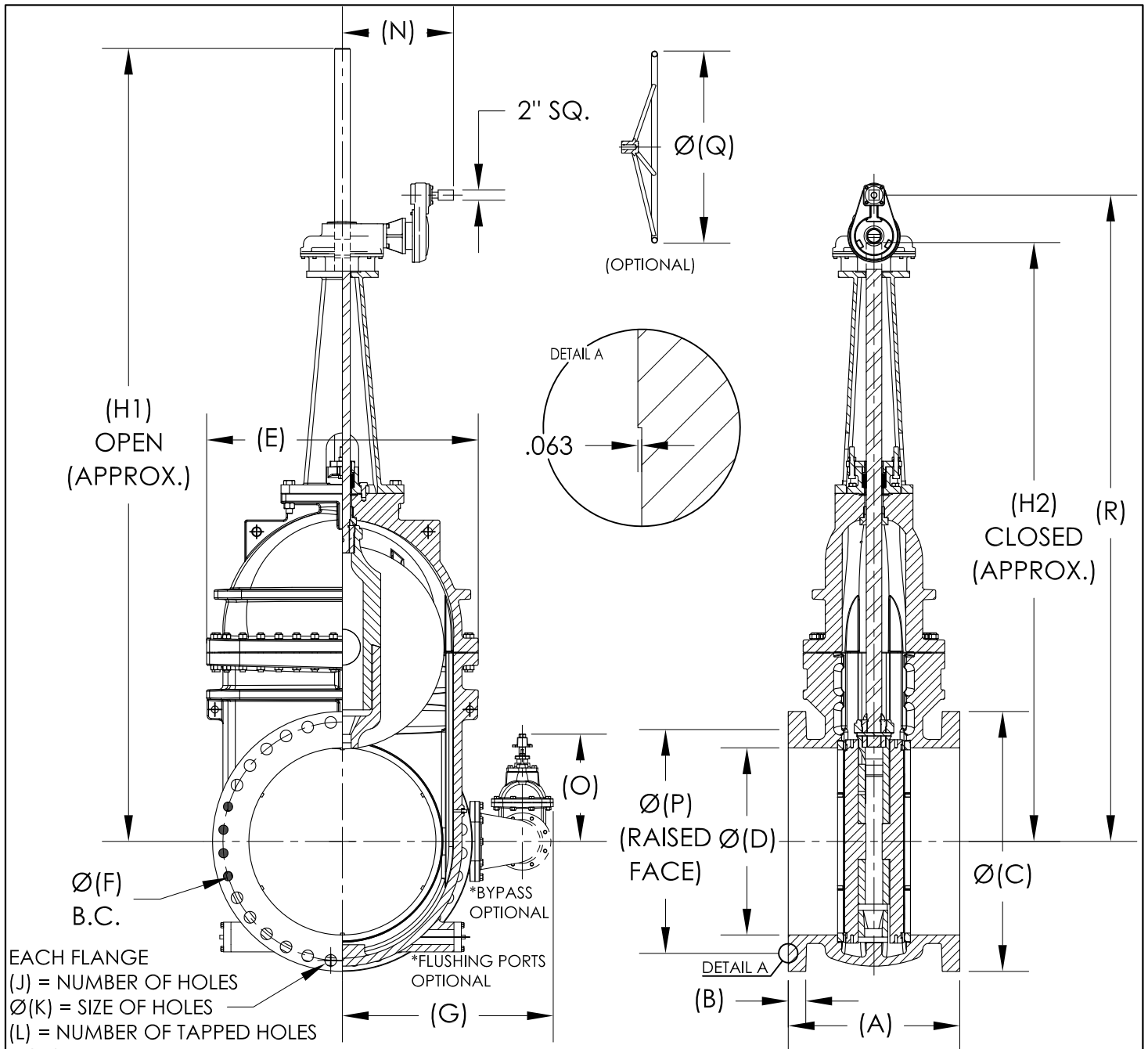


KENNEDY VALVE
 Division of McWane, Inc.
 1021 EAST WATER STREET ELMIRA, NEW YORK 14901

DWN: D SKAKAL
DATE: 7/6/17
DWG. NO.
CAT910C10160-01

TITLE:
SERIES 50 - ROTATING DISC GATE VALVE
30" - 48" - OS&Y
FL x FL - CL125 - SPUR GEAR - PL
(SIDE BYPASS - OPTIONAL)

THIS DRAWING AND ALL INFORMATION IS KENNEDY VALVE PROPERTY AND SHALL NOT BE USED, COPIED, OR REPRODUCED WITHOUT WRITTEN CONSENT. DESIGN AND INVENTION RIGHTS RESERVED.



EACH FLANGE
 (J) = NUMBER OF HOLES
 Ø(K) = SIZE OF HOLES
 (L) = NUMBER OF TAPPED HOLES
 Ø(M) = SIZE OF TAPPED HOLES

NOTE 1: 36" VALVE SHOWN
 NOTE 2: SIDE BYPASS OPTIONAL
 NOTE 3: FLUSHING PORTS OPTIONAL

RAISED FACE
 PER ASME B16.1

SIZE Ø(D)	(A)	(B)	Ø(C)	(E)	Ø(F)	(G)	(H1)	(H2)	(J)	Ø(K)	(L)	Ø(M)	(N)	(O)	Ø(P)	Ø(Q)	(R)	BYPASS SIZE	APPROX. WEIGHT	# OF TURNS AT GEAR*	RATIO (XXX:1)	GEAR
30.0	30.0	3.00	43.0	44.1	39.3	34.3	136.0	104.0	26	2.00	2	1 3/4 - 5	22.6	15.0	37.2	24.0	111.7	4	7700	1059	16.4	IB8/ AS5
36.0	33.0	3.38	50.0	52.3	46.0	41.0	153.4	115.2	28	2 1/4	4	2.00 - 4.5	24.4	18.5	43.7	32.0	124.7	6	12500	1877	24.6	IB11/ AS5
42.0	35.8	3.69	57.0	58.5	52.8	44.9	191.0	147.4	32	2 1/4	4	2.00 - 4.5	26.6	18.5	50.4	32.0	153.4	6	15931	2926	32.8	IB12/ AS5
48.0	40.0	4.00	65.0	69.0	60.8	52.4	220.0	157.0	34	2 1/4	6	2.00 - 4.5	30.7	21.9	58.4	32.0	171.0	8	22572	4987	48.8	IB13/ AS8

* ± 2% TURNS AT VALVE STEM.

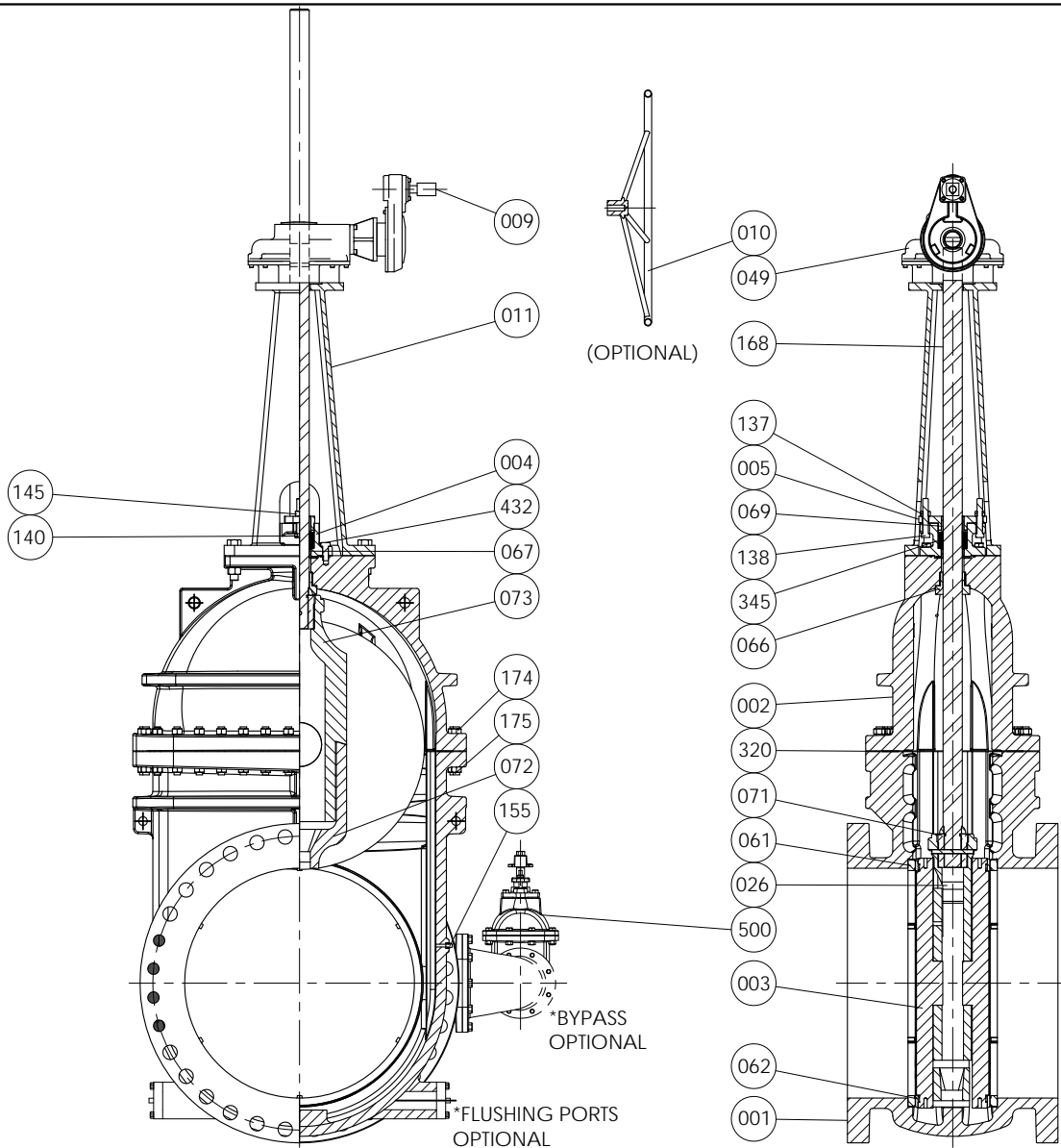


KENNEDY VALVE
 Division of McWane, Inc.
 1021 EAST WATER STREET ELMIRA, NEW YORK 14901

DWN: D SKAKAL
 DATE: 6/28/17
 DWG. NO.
 CAT910C10165-01

TITLE:
SERIES 40 - ROTATING DISC GATE VALVE
 30" - 48" - OS&Y
 FL x FL - CL250 - BEVEL GEAR - GD
 (SIDE BYPASS - OPTIONAL)

THIS DRAWING AND ALL INFORMATION IS KENNEDY VALVE PROPERTY AND SHALL NOT BE USED, COPIED, OR REPRODUCED WITHOUT WRITTEN CONSENT. DESIGN AND INVENTION RIGHTS RESERVED.



NO.	DESCRIPTION	MATERIAL	ASTM DESIGNATION
001	BODY	DUCTILE IRON	A536 GRADE 65-45-12/ 70-50-05
002	BONNET	DUCTILE IRON	A536 GRADE 65-45-12/ 70-50-05
003	DISC	DUCTILE IRON	A536 GRADE 65-45-12/ 70-50-05
004	PACKING BOX	DUCTILE IRON	A536 GRADE 65-45-12/ 70-50-05
005	PACKING GLAND	DUCTILE IRON	A536 GRADE 65-45-12/ 70-50-05
009	2" SQ. OP. NUT (STANDARD)	CARBON STEEL	A36
010	HANDWHEEL (OPTION)	STEEL	-
011	OS&Y STAND/YOKE	DUCTILE IRON	A536 GRADE 65-45-12/ 70-50-05
026	STEM PIN (STANDARD)	STAINLESS STEEL	A276 S30400
	STEM PIN (OPTION)	STAINLESS STEEL	A276 S31600
049	BEVEL GEAR	-	-
061	BODY SEAT RING (STANDARD)	BRONZE	B148 C95400
	BODY SEAT RING (OPTION)	BRONZE	B62 C83600
062	DISC SEAT RING	BRONZE	B62 C83600
066	BONNET BUSHING	BRONZE	B505 C95400
067	PACKING BOX BUSHING	BRONZE	B505 C95400
069	GLAND BUSHING	BRONZE	B505 C95400
071	STEM NUT	BRONZE	B505 C95400
072	LOWER WEDGE	DUCTILE IRON	A536 GRADE 65-45-12/ 70-50-05
073	UPPER WEDGE	DUCTILE IRON	A536 GRADE 65-45-12/ 70-50-05

NO.	DESCRIPTION	MATERIAL	ASTM DESIGNATION
137	YOKE HEX BOLT (STANDARD)	STAINLESS STEEL	F593 S30400
	YOKE HEX BOLT (OPTION)	STAINLESS STEEL	F593 S31600
138	YOKE HEX NUT (STANDARD)	STAINLESS STEEL	F594 S30400
	YOKE HEX NUT (OPTION)	STAINLESS STEEL	F594 S31600
140	GLAND BOLT (STANDARD)	STAINLESS STEEL	F593 S30400
	GLAND BOLT (OPTION)	STAINLESS STEEL	F593 S31600
145	GLAND HEX NUT	BRONZE	F467 C65100
155	PIPE PLUG (STANDARD)	STAINLESS STEEL	TYPE 304
	PIPE PLUG (OPTION)	STAINLESS STEEL	TYPE 316
168	STEM (STANDARD)	STAINLESS STEEL	A276 S30400
	STEM (OPTION)	STAINLESS STEEL	A276 S31600
174	BONNET HEX BOLT (STANDARD)	STAINLESS STEEL	F594 S30400
	BONNET HEX BOLT (OPTION)	STAINLESS STEEL	F594 S31600
175	BONNET HEX NUT (STANDARD)	STAINLESS STEEL	F594 S30400
	BONNET HEX NUT (OPTION)	STAINLESS STEEL	F594 S31600
320	BONNET GASKET	GARLOCK	#3200
345	PACKING	GARLOCK	STYLE 18
432	PACKING BOX BOLT & NUT (STANDARD)	STAINLESS STEEL	TYPE 304
	PACKING BOX BOLT & NUT (OPTION)	STAINLESS STEEL	TYPE 316
500	BYPASS VALVE*	-	-

NOTE: O-RING SLEEVE OPTION AVAILABLE FOR 30" - 36" VALVES ONLY

*SEE SEPARATE CATALOG PAGE FOR BYPASS DETAILS

*SEE SEPARATE CATALOG PAGE FOR FLUSHING PORT DETAILS



KENNEDY VALVE
Division of McWane, Inc.
1021 EAST WATER STREET ELMIRA, NEW YORK 14901

DWN: D SKAKAL

DATE: 6/28/17

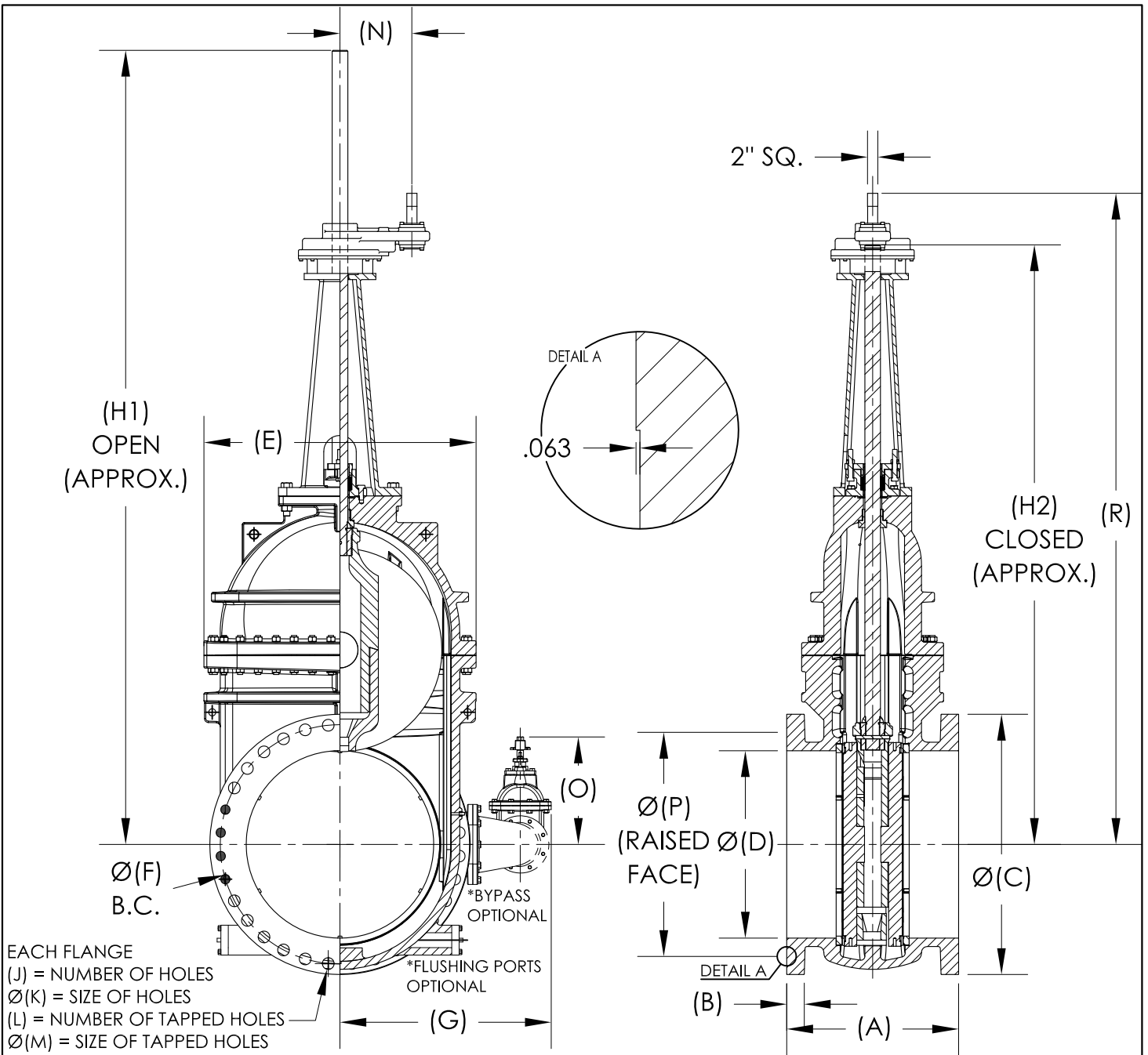
DWG. NO.

CAT910C10166-01

TITLE:

SERIES 40 - ROTATING DISC GATE VALVE
30" - 48" - OS&Y
FL x FL - CL250 - BEVEL GEAR - PL
(SIDE BYPASS - OPTIONAL)

THIS DRAWING AND ALL INFORMATION IS KENNEDY VALVE PROPERTY AND SHALL NOT BE USED, COPIED, OR REPRODUCED WITHOUT WRITTEN CONSENT. DESIGN AND INVENTION RIGHTS RESERVED.



NOTE 1: 36" VALVE SHOWN
 NOTE 2: SIDE BYPASS OPTIONAL
 NOTE 3: FLUSHING PORTS OPTIONAL

RAISED FACE
 PER ASME B16.1

SIZE Ø(D)	(A)	(B)	Ø(C)	(E)	Ø(F)	(G)	(H1)	(H2)	(J)	Ø(K)	(L)	Ø(M)	(N)	(O)	Ø(P)	-	(R)	BYPASS SIZE	APPROX. WEIGHT	# OF TURNS AT GEAR*	RATIO (XXX:1)	GEAR
30.0	30.0	3.00	43.0	44.1	39.3	34.3	136.0	104.0	26	2.00	2	1 3/4 - 5	13.1	15.0	37.2	-	112.2	4	7700	792	12	IS8
36.0	33.0	3.38	50.0	52.3	46.0	41.0	153.4	115.2	28	2 1/4	4	2.00 - 4.5	14.0	18.5	43.7	-	125.5	6	12500	1119	15	IS11
42.0	35.8	3.69	57.0	58.5	52.8	44.9	191.0	147.4	32	2 1/4	4	2.00 - 4.5	24.1	18.5	50.4	-	165.4	6	15931	2959	33	IS12/ AS5
48.0	40.0	4.00	65.0	69.0	60.8	52.4	220.0	157.0	34	2 1/4	6	2.00 - 4.5	29.1	21.9	58.4	-	182.1	8	22572	5043	49	IS13/ AS8

* ± 2% TURNS AT VALVE STEM.

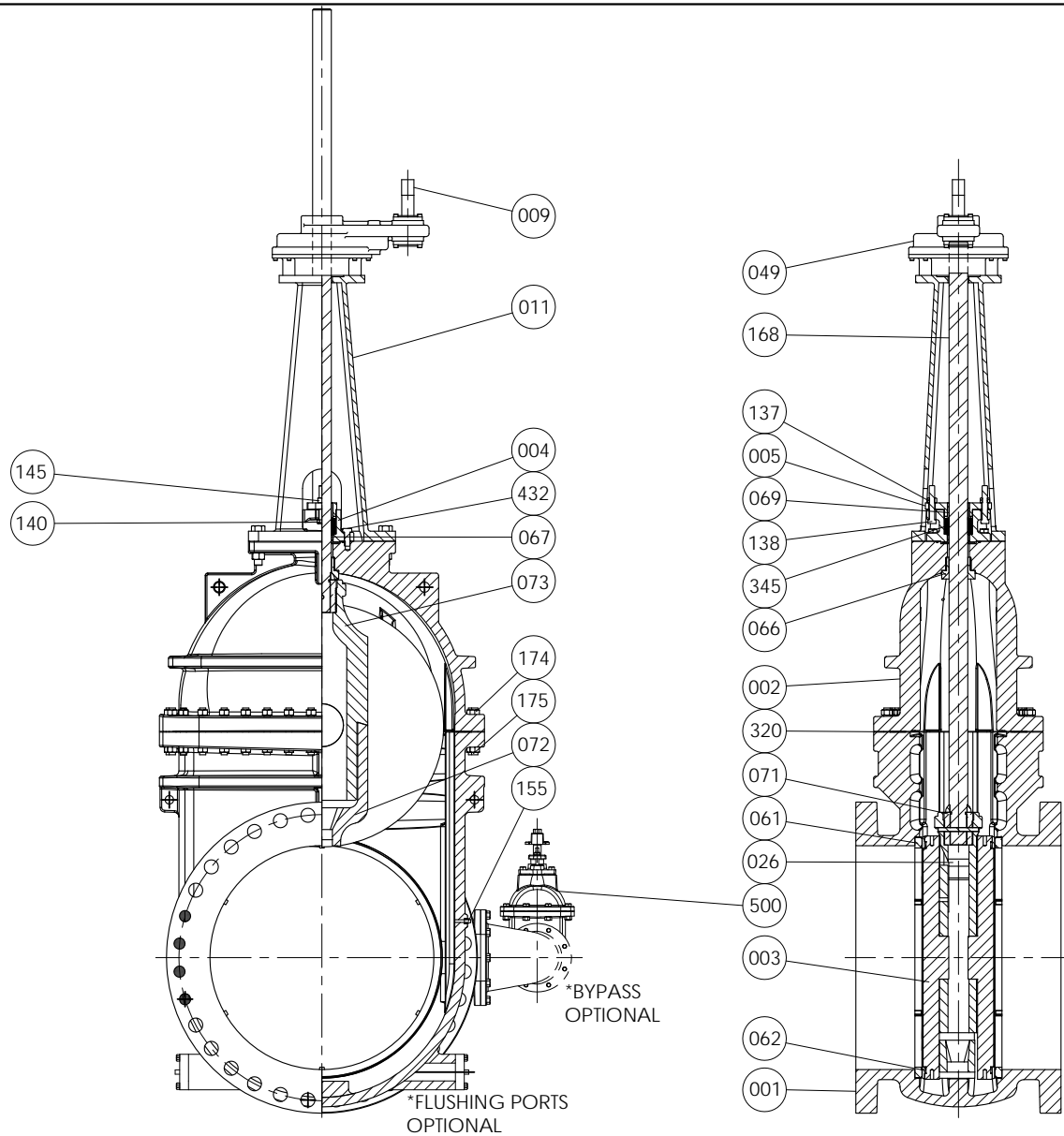


KENNEDY VALVE
 Division of McWane, Inc.
 1021 EAST WATER STREET ELMIRA, NEW YORK 14901

DWN: D SKAKAL
 DATE: 7/6/17
 DWG. NO.
 CAT910C10167-01

TITLE:
SERIES 40 - ROTATING DISC GATE VALVE
 30" - 48" - OS&Y
 FL x FL - CL250 - SPUR GEAR - GD
 (SIDE BYPASS - OPTIONAL)

THIS DRAWING AND ALL INFORMATION IS KENNEDY VALVE PROPERTY AND SHALL NOT BE USED, COPIED, OR REPRODUCED WITHOUT WRITTEN CONSENT. DESIGN AND INVENTION RIGHTS RESERVED.



NO.	DESCRIPTION	MATERIAL	ASTM DESIGNATION
001	BODY	DUCTILE IRON	A536 GRADE 65-45-12/ 70-50-05
002	BONNET	DUCTILE IRON	A536 GRADE 65-45-12/ 70-50-05
003	DISC	DUCTILE IRON	A536 GRADE 65-45-12/ 70-50-05
004	PACKING BOX	DUCTILE IRON	A536 GRADE 65-45-12/ 70-50-05
005	PACKING GLAND	DUCTILE IRON	A536 GRADE 65-45-12/ 70-50-05
009	2" SQ. OP. NUT	CARBON STEEL	A36
011	OS&Y STAND/YOKE	DUCTILE IRON	A536 GRADE 65-45-12/ 70-50-05
026	STEM PIN (STANDARD)	STAINLESS STEEL	TYPE 304
049	STEM PIN (OPTION)	STAINLESS STEEL	TYPE 316
	BEVEL GEAR		
061	BODY SEAT RING (STANDARD)	BRONZE	B148 C95400
	BODY SEAT RING (OPTION)	BRONZE	B62 C83600
062	DISC SEAT RING	BRONZE	B62 C83600
066	BONNET BUSHING	BRONZE	B505 C95400
067	PACKING BOX BUSHING	BRONZE	B505 C95400
069	GLAND BUSHING	BRONZE	B505 C95400
071	STEM NUT	BRONZE	B505 C95400
072	LOWER WEDGE	DUCTILE IRON	A536 GRADE 65-45-12/ 70-50-05
073	UPPER WEDGE	DUCTILE IRON	A536 GRADE 65-45-12/ 70-50-05

NOTE: O-RING SLEEVE OPTION AVAILABLE FOR 30" - 36" VALVES ONLY
 *SEE SEPARATE CATALOG PAGE FOR FLUSHING PORT DETAILS

NO.	DESCRIPTION	MATERIAL	ASTM DESIGNATION
137	YOKE HEX BOLT (STANDARD)	STAINLESS STEEL	F593 S30400
	YOKE HEX BOLT (OPTION)	STAINLESS STEEL	F593 S31600
138	YOKE HEX NUT (STANDARD)	STAINLESS STEEL	F594 S30400
	YOKE HEX NUT (OPTION)	STAINLESS STEEL	F594 S31600
140	GLAND BOLT (STANDARD)	STAINLESS STEEL	F593 S30400
	GLAND BOLT (OPTION)	STAINLESS STEEL	F593 S31600
145	GLAND HEX NUT	BRONZE	F467 C65100
155	PIPE PLUG (STANDARD)	STAINLESS STEEL	TYPE 304
	PIPE PLUG (OPTION)	STAINLESS STEEL	TYPE 316
168	STEM (STANDARD)	STAINLESS STEEL	A276 S30400
	STEM (OPTION)	STAINLESS STEEL	A276 S31600
174	BONNET HEX BOLT (STANDARD)	STAINLESS STEEL	F594 S30400
	BONNET HEX BOLT (OPTION)	STAINLESS STEEL	F594 S31600
175	BONNET HEX NUT (STANDARD)	STAINLESS STEEL	F594 S30400
	BONNET HEX NUT (OPTION)	STAINLESS STEEL	F594 S31600
320	BONNET GASKET	GARLOCK	#3200
345	PACKING	GARLOCK	STYLE 18
432	PACKING BOX BOLT & NUT (STANDARD)	STAINLESS STEEL	TYPE 304
	PACKING BOX BOLT & NUT (OPTION)	STAINLESS STEEL	TYPE 316
500	BYPASS VALVE*		

*SEE SEPARATE CATALOG PAGE FOR BYPASS DETAILS



KENNEDY VALVE
 Division of McWane, Inc.
 1021 EAST WATER STREET ELMIRA, NEW YORK 14901

DWN: D SKAKAL
 DATE: 7/6/17
 DWG. NO.
 CAT910C10168-01

TITLE:
SERIES 40 - ROTATING DISC GATE VALVE
30" - 48" - OS&Y
FL x FL - CL250 - SPUR GEAR - PL
(SIDE BYPASS - OPTIONAL)

THIS DRAWING AND ALL INFORMATION IS KENNEDY VALVE PROPERTY AND SHALL NOT BE USED, COPIED, OR REPRODUCED WITHOUT WRITTEN CONSENT. DESIGN AND INVENTION RIGHTS RESERVED.