

**30" - 54" R/W VALVES**

KENNEDY VALVE

**KENNEDY VALVE AWWA C515 Resilient Wedge Gate Valves  
Meet or Exceed the Requirements of  
AWWA Standard C515**

| Size Range      | Water Working Pressure psi | Bubble Tight Test psi | Hydrostatic Shell Test psi |
|-----------------|----------------------------|-----------------------|----------------------------|
| AWWA<br>30"-54" | 250                        | 250                   | 500                        |

| <b>Available End Connections &amp; Size Range</b> | <b>Figure No.</b>                        |
|---|--|
| Flange X Flange                                   | 30" - 54" 7561AMSS<br>30" - 54" 7561BMSS |
| M.J. X M.J.                                       | 30" - 48" 7571AMSS<br>30" - 48" 7571BMSS |
| Flange X M.J.                                     | 30" - 48" 7572AMSS<br>30" - 48" 7572BMSS |

NOTE: A = Spur Gearing  
B = Bevel Gearing

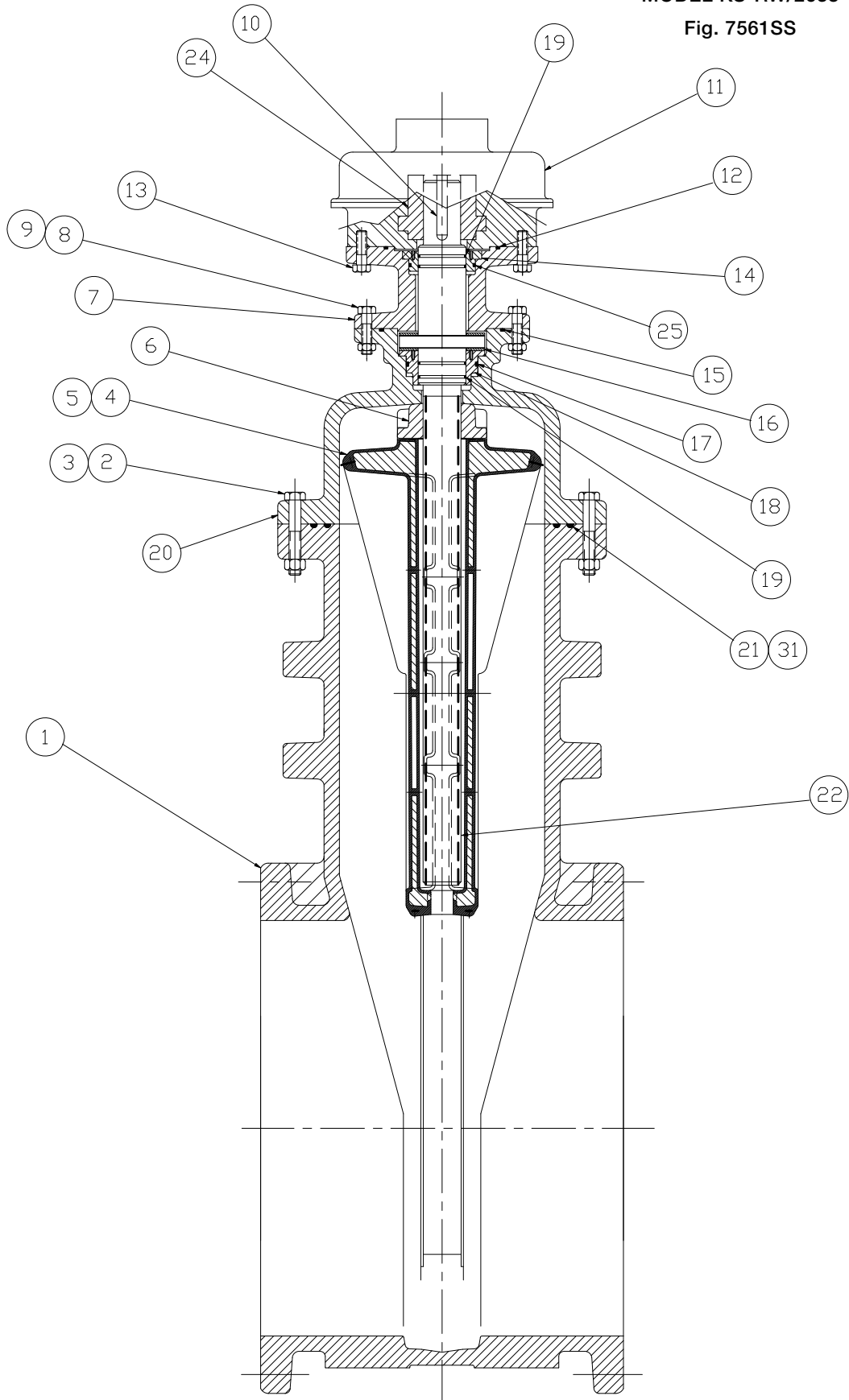
**AWWA C515 REDUCED WALL DUCTILE IRON**

**30" - 54" R/W VALVE  
BEVEL GEAR ASSEMBLY**

**KENNEDY VALVE**

**MODEL KS-RW/2638**

**Fig. 7561SS**

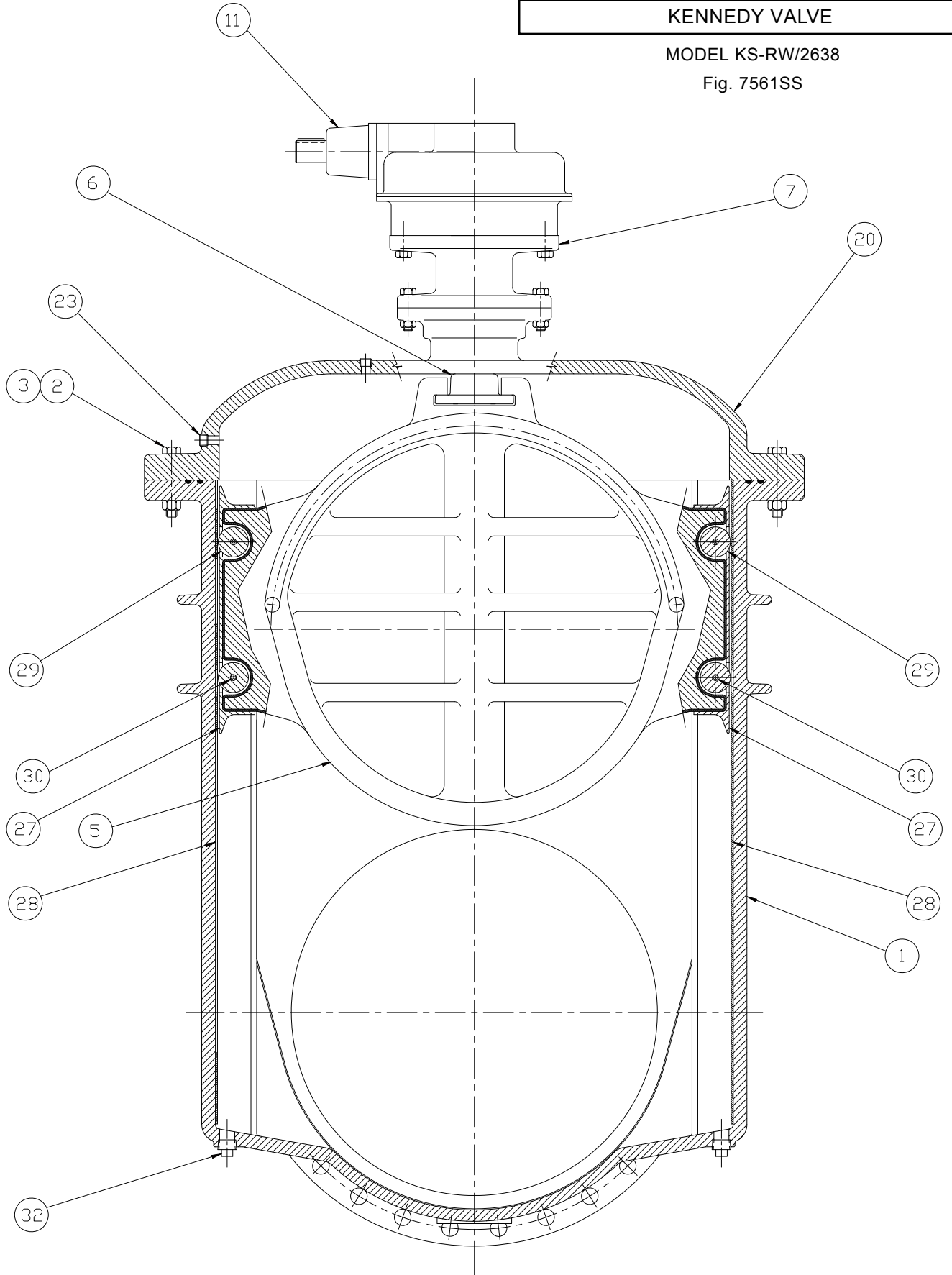


**30" - 54" RW VALVE  
BEVEL GEAR ASSEMBLY**

KENNEDY VALVE

MODEL KS-RW/2638

Fig. 7561SS



**30" - 54" R/W VALVE  
BEVEL GEAR PARTS LIST**

KENNEDY VALVE

MODEL KS-RW/2638

Fig. 7561BMSS

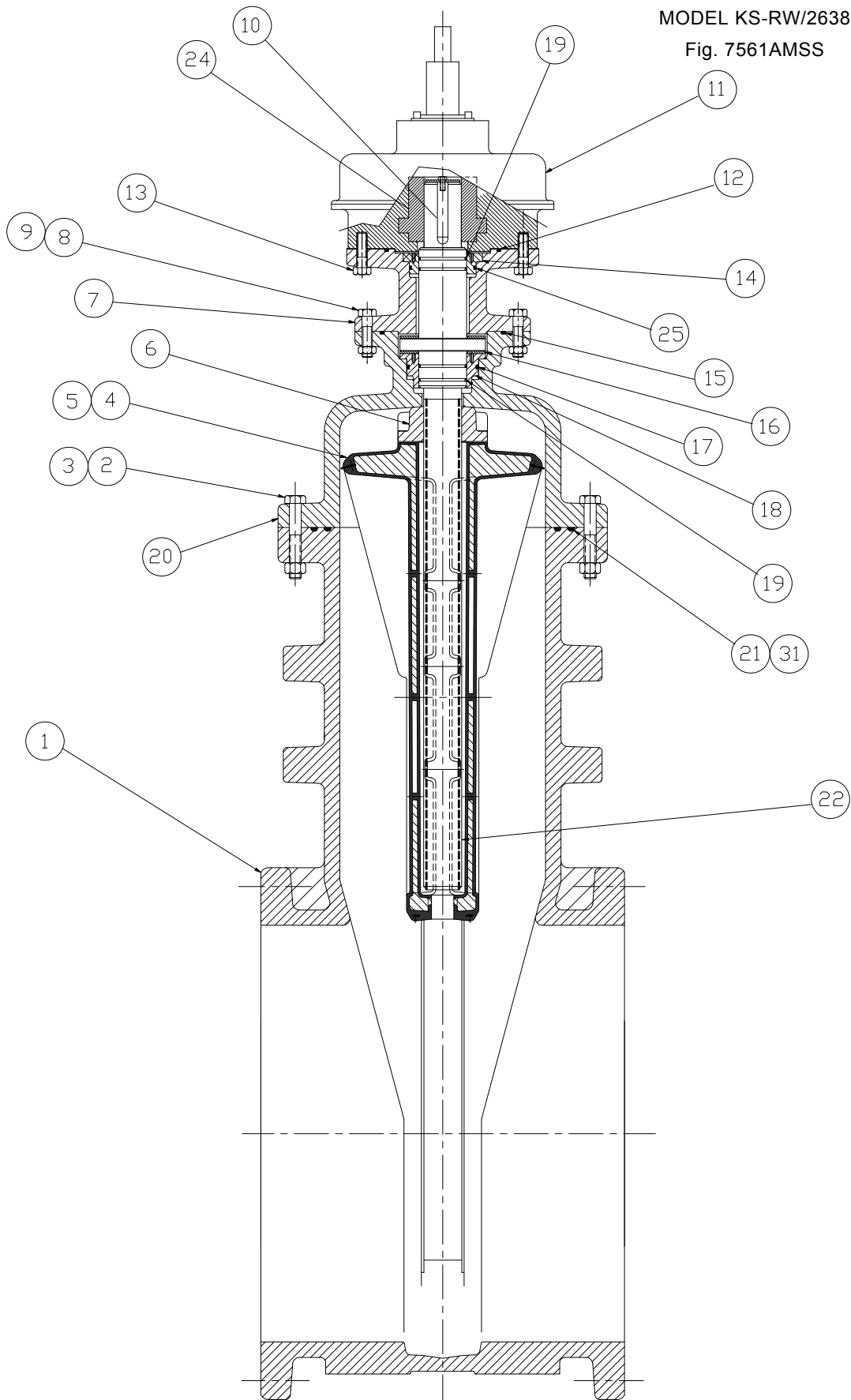
| ITEM | DESCRIPTION             | MATERIAL                         |
|------|-------------------------|----------------------------------|
| 1    | BODY - MECHANICAL JOINT | ASTM A536 DUCTILE IRON           |
|      | BODY - FLANGE           | ASTM A536 DUCTILE IRON           |
|      | BODY - MJ X FLANGE      | ASTM A536 DUCTILE IRON           |
| 2    | BOLT                    | AISI 304 STAINLESS STEEL         |
| 3    | NUT                     | AISI 304 STAINLESS STEEL         |
| 4    | WEDGE CASTING           | ASTM A536 DUCTILE IRON           |
| 5    | MOLDED WEDGE            | EPDM                             |
| 6    | STEM NUT                | ASTM B763 ALLOY C87610 BRONZE    |
| 7    | EXTENSION - ACTUATOR    | ASTM B536 DUCTILE IRON           |
| 8    | BOLT                    | AISI 304 STAINLESS STEEL         |
| 9    | NUT                     | AISI 304 STAINLESS STEEL         |
| 10   | KEY                     | STEEL                            |
| 11   | ACTUATOR - BEVEL GEAR   |                                  |
| 12   | O-RING                  | EPDM                             |
| 13   | BOLT                    | AISI 304 STAINLESS STEEL         |
| 14   | BUSHING - STEM GUIDE    | ASTM B584 ALLOY C83600 BRONZE    |
| 15   | O-RING                  | EPDM                             |
| 16   | THRUST BEARING          | NYLATRON                         |
| 17   | O-RING                  | EPDM                             |
| 18   | COVER BUSHING           | ASTMB584 ALLOY C83600 BRONZE     |
| 19   | O-RING                  | EPDM                             |
| 20   | COVER                   | ASTM B536 DUCTILE IRON           |
| 21   | O-RING COVER OUTER      | EPDM                             |
| 22   | STEM                    | ASTM B584 ALLOY C86200 BRONZE    |
| 23   | PIPE PLUG               | AISI 304 STAINLESS STEEL         |
| 24   | ACTUATOR DRIVE BUSHING  | BRONZE                           |
| 25   | O-RING                  | EPDM                             |
| 26   | WEDGE PROTECTOR         | URETHANE                         |
| 27   | SCRAPER                 | ASTM B148 C95400 ALUMINUM BRONZE |
| 28   | TRACK                   | AISI 316 STAINLESS STEEL         |
| 29   | ROLLER                  | ASTMB148 C95400 ALUMINUM BRONZE  |
| 30   | PIN - ROLLER            | AISI 316 STAINLESS STEEL         |
| 31   | O-RING - COVER INNER    | EPDM                             |
| 32   | PIPE PLUG               | AISI 316 STAINLESS STEEL         |

**30" - 54" RW VALVE  
SPUR GEAR ASSEMBLY**

KENNEDY VALVE

MODEL KS-RW/2638

Fig. 7561AMSS

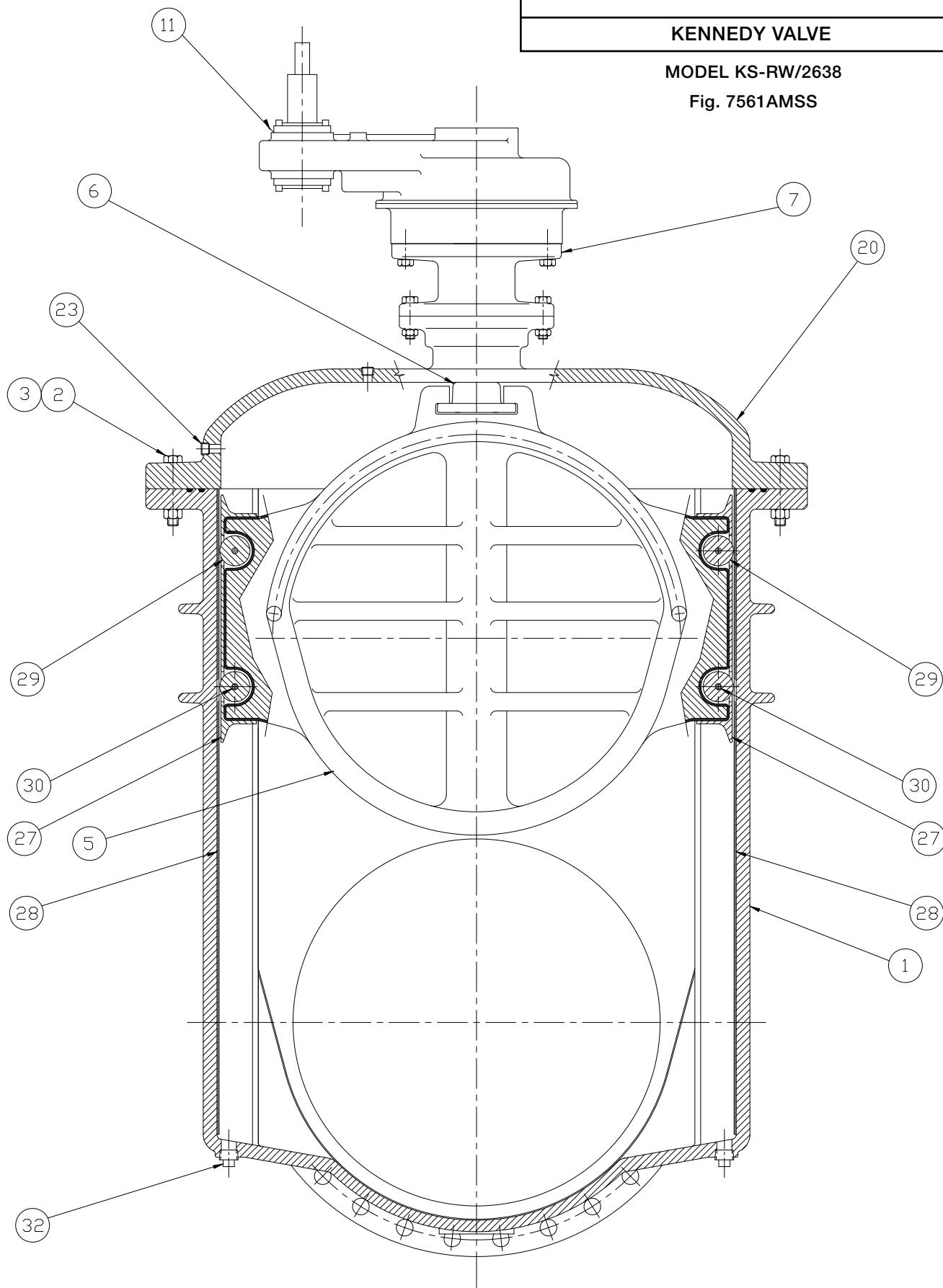


**30" - 54" R/W VALVE  
SPUR GEAR ASSEMBLY**

**KENNEDY VALVE**

**MODEL KS-RW/2638**

**Fig. 7561AMSS**



**30" - 54" R/W VALVE  
SPUR GEAR PARTS LIST**

KENNEDY VALVE

MODEL KS-RW/2638

Fig. 7561AMSS

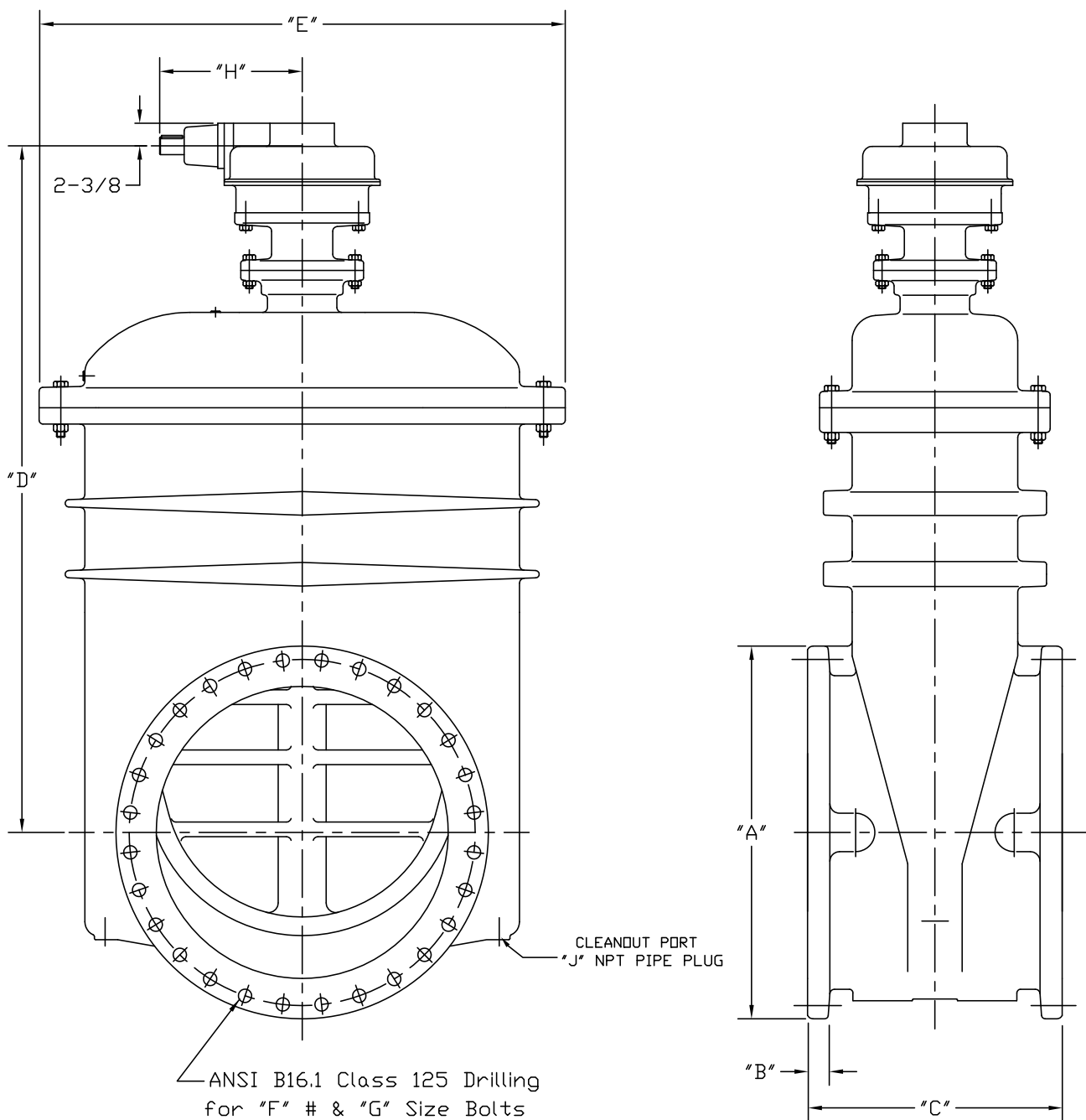
| ITEM | DESCRIPTION             | MATERIAL                         |
|------|-------------------------|----------------------------------|
| 1    | BODY - MECHANICAL JOINT | ASTM A536 DUCTILE IRON           |
|      | BODY - FLANGE           | ASTM A536 DUCTILE IRON           |
|      | BODY - MJ X FLANGE      | ASTM A536 DUCTILE IRON           |
| 2    | BOLT                    | AISI 304 STAINLESS STEEL         |
| 3    | NUT                     | AISI 304 STAINLESS STEEL         |
| 4    | WEDGE CASTING           | ASTM A536 DUCTILE IRON           |
| 5    | MOLDED WEDGE            | EPDM                             |
| 6    | STEM NUT                | ASTM B763 ALLOY C87610 BRONZE    |
| 7    | EXTENSION - ACTUATOR    | ASTM B536 DUCTILE IRON           |
| 8    | BOLT                    | AISI 304 STAINLESS STEEL         |
| 9    | NUT                     | AISI 304 STAINLESS STEEL         |
| 10   | KEY                     | STEEL                            |
| 11   | ACTUATOR - SPUR GEAR    |                                  |
| 12   | O-RING                  | EPDM                             |
| 13   | BOLT                    | AISI 304 STAINLESS STEEL         |
| 14   | BUSHING - STEM GUIDE    | ASTM B584 ALLOY C83600 BRONZE    |
| 15   | O-RING                  | EPDM                             |
| 16   | THRUST BEARING          | NYLATRON                         |
| 17   | O-RING                  | EPDM                             |
| 18   | COVER BUSHING           | ASTMB584 ALLOY C83600 BRONZE     |
| 19   | O-RING                  | EPDM                             |
| 20   | COVER                   | ASTM B536 DUCTILE IRON           |
| 21   | O-RING COVER OUTER      | EPDM                             |
| 22   | STEM                    | ASTM B584 ALLOY C86200 BRONZE    |
| 23   | PIPE PLUG               | AISI 304 STAINLESS STEEL         |
| 24   | ACTUATOR DRIVE BUSHING  | BRONZE                           |
| 25   | O-RING                  | EPDM                             |
| 26   | WEDGE PROTECTOR         | URETHANE                         |
| 27   | SCRAPER                 | ASTM B148 C95400 ALUMINUM BRONZE |
| 28   | TRACK                   | AISI 316 STAINLESS STEEL         |
| 29   | ROLLER                  | ASTMB148 C95400 ALUMINUM BRONZE  |
| 30   | PIN - ROLLER            | AISI 316 STAINLESS STEEL         |
| 31   | O-RING - COVER INNER    | EPDM                             |
| 32   | PIPE PLUG               | AISI 316 STAINLESS STEEL         |

# 30" - 54" R/W VALVE FLANGED ENDS BEVEL GEAR GENERAL DIMENSIONS

KENNEDY VALVE

MODEL KS-RW/2638

Fig. 7561BMSS



| Valve Size | "A"    | "B"   | "C"    | "D"     | "E"    | "F" | "G"   | "H"    | "J"   |
|------------|--------|-------|--------|---------|--------|-----|-------|--------|-------|
| 30"        | 38-3/4 | 2-1/8 | 40     | 71-1/2  | 54-3/4 | 28  | 1-1/4 | 14-7/8 | 2     |
| 36"        | 46     | 2-3/8 | 30-3/4 | 81-1/16 | 58-7/8 | 32  | 1-1/2 | 14-7/8 | 1-1/4 |
| 42"        | 53     | 2-5/8 | 36     | 98-3/8  | 78     | 36  | 1-1/2 | 17     | 1-1/2 |
| 48"        | 59-1/2 | 2-3/4 | 35-1/2 | 101-3/8 | 78     | 44  | 1-1/2 | 17     | 1-1/2 |
| 54"        | 66-1/4 | 3     | 48     | 101-3/8 | 78     | 44  | 1-3/4 | 17     | 1-1/2 |

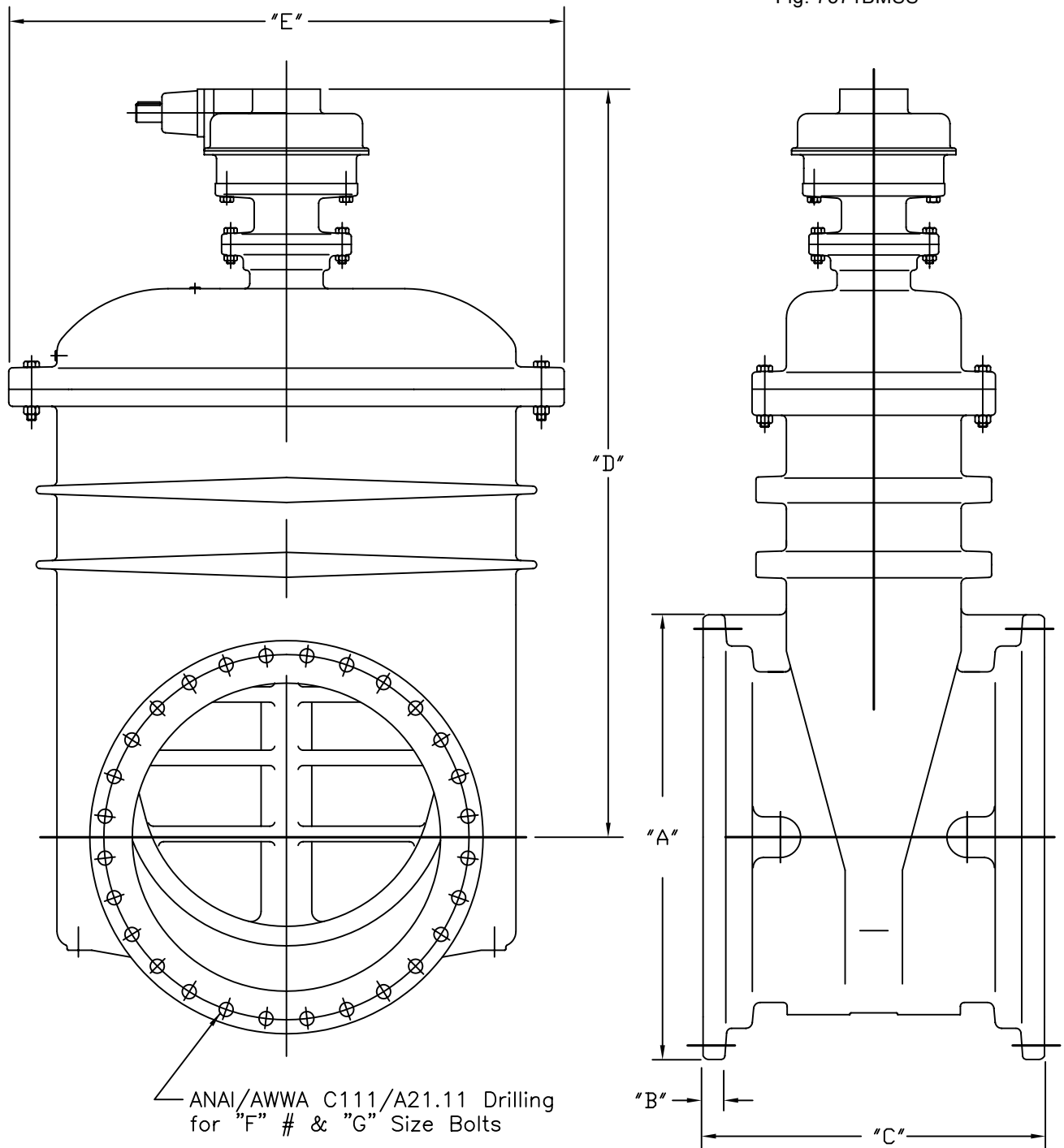


**30" - 48" R/W VALVE MECH. JOINT ENDS  
BEVEL GEAR GENERAL DIMENSIONS**

KENNEDY VALVE

MODEL KS-RW/2638

Fig. 7571BMSS



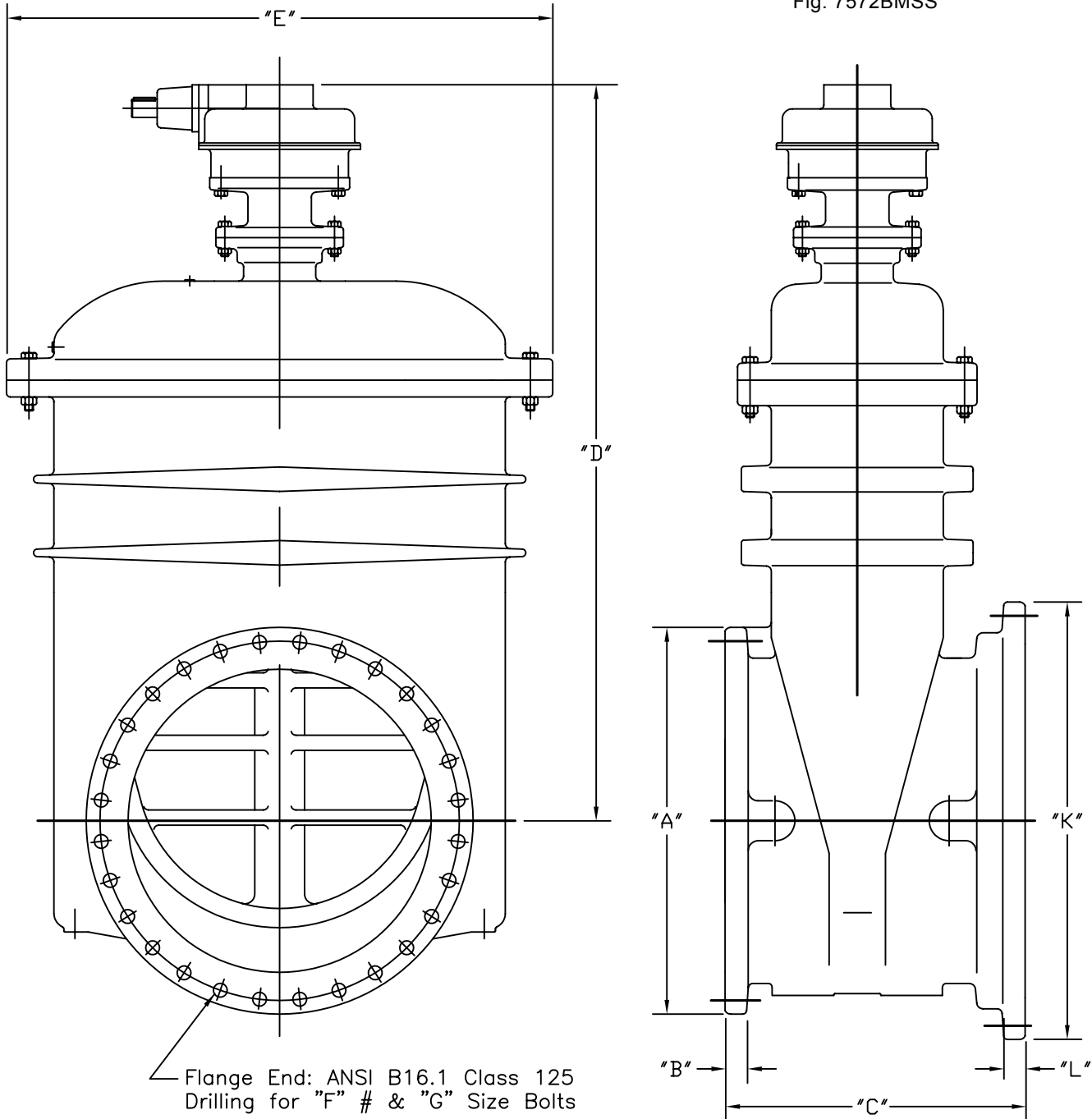
| VALVE SIZE | A      | B       | C      | D       | E      | F  | G     | H      |
|------------|--------|---------|--------|---------|--------|----|-------|--------|
| 30"        | 39 1/2 | 1 11/16 | 35 1/2 | 73 3/4  | 54 3/4 | 20 | 1     | 14 7/8 |
| 36"        | 46 1/2 | 2       | 38 3/4 | 81 1/16 | 58 7/8 | 24 | 1     | 14 7/8 |
| 42"        | 54     | 2       | 39     | 98 3/8  | 78     | 28 | 1 1/4 | 14 7/8 |
| 48"        | 60 3/4 | 2       | 44     | 101 3/8 | 78     | 32 | 1 1/4 | 14 7/8 |

**30" - 48" R/W VALVE MJ x FLG ENDS  
BEVEL GEAR GENERAL DIMENSIONS**

KENNEDY VALVE

MODEL KS-RW/2638

Fig. 7572BMSS



Flange End: ANSI B16.1 Class 125  
Drilling for "F" # & "G" Size Bolts  
MJ End: ANSI/AWWA C111/A21.11  
Drilling for "H" # & "J" Size Bolts

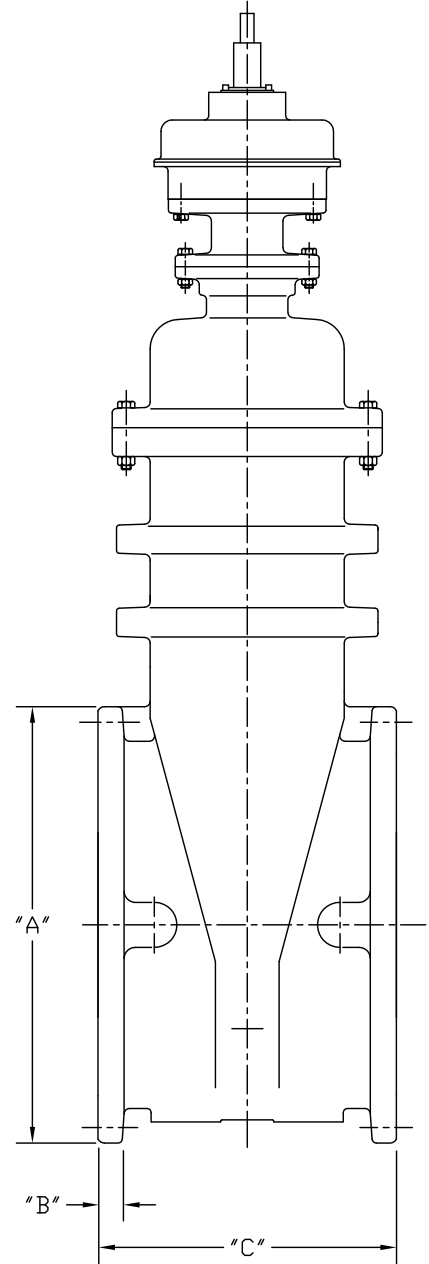
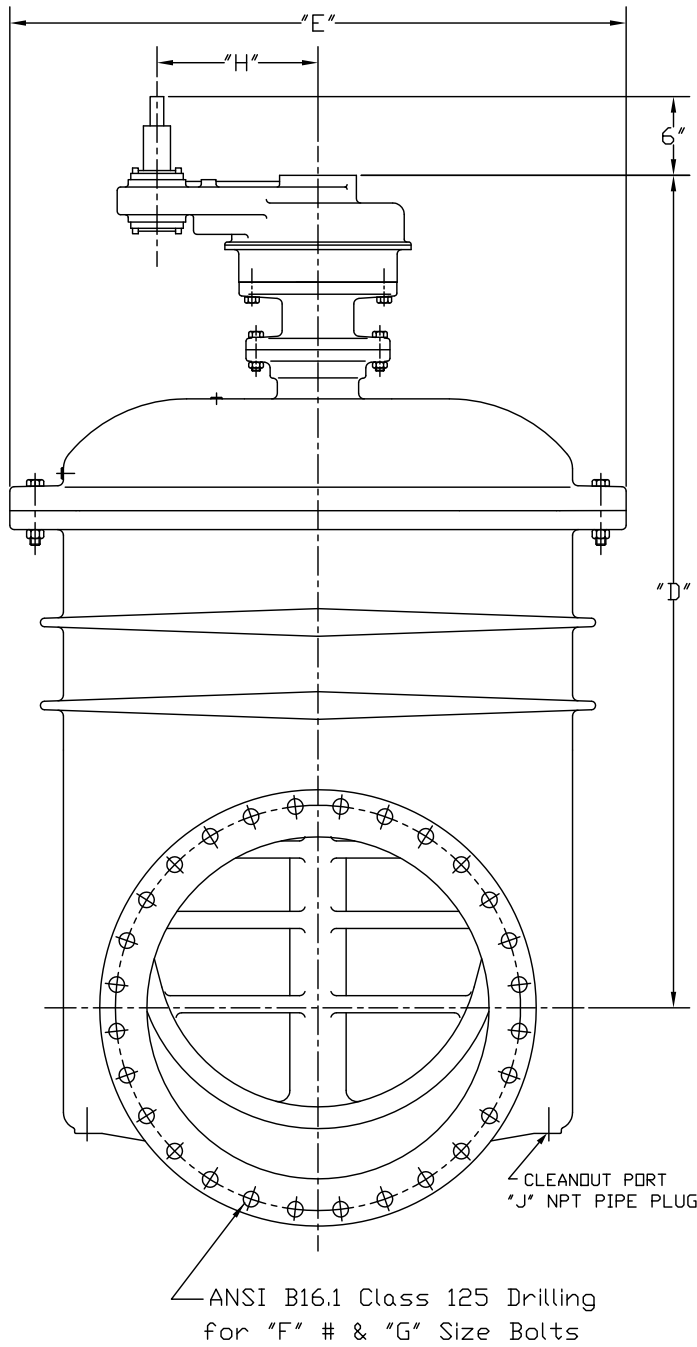
| VALVE SIZE | A      | B     | C      | D       | E      | F  | G     | H  | J     | K      | L       | M      |
|------------|--------|-------|--------|---------|--------|----|-------|----|-------|--------|---------|--------|
| 30"        | 38 3/4 | 2 1/8 | 31     | 73 3/4  | 54 3/4 | 28 | 1 1/4 | 20 | 1     | 39 1/2 | 1 11/16 | 14 7/8 |
| 36"        | 46     | 2 3/8 | 34 3/4 | 81 1/16 | 58 7/8 | 32 | 1 1/2 | 24 | 1     | 46 1/2 | 2       | 14 7/8 |
| 42"        | 53     | 2 5/8 | 37 1/2 | 98 3/8  | 78     | 36 | 1 5/8 | 25 | 1 3/8 | 54     | 2       | 14 7/8 |
| 48"        | 59 1/2 | 2 3/4 | 39     | 101 3/8 | 78     | 44 | 1 5/8 | 32 | 1 3/8 | 60 3/4 | 2       | 14 7/8 |

# 30" - 54" R/W VALVE FLANGED ENDS SPUR GEAR GENERAL DIMENSIONS

KENNEDY VALVE

MODEL KS-RW/2638

Fig. 7561AMSS



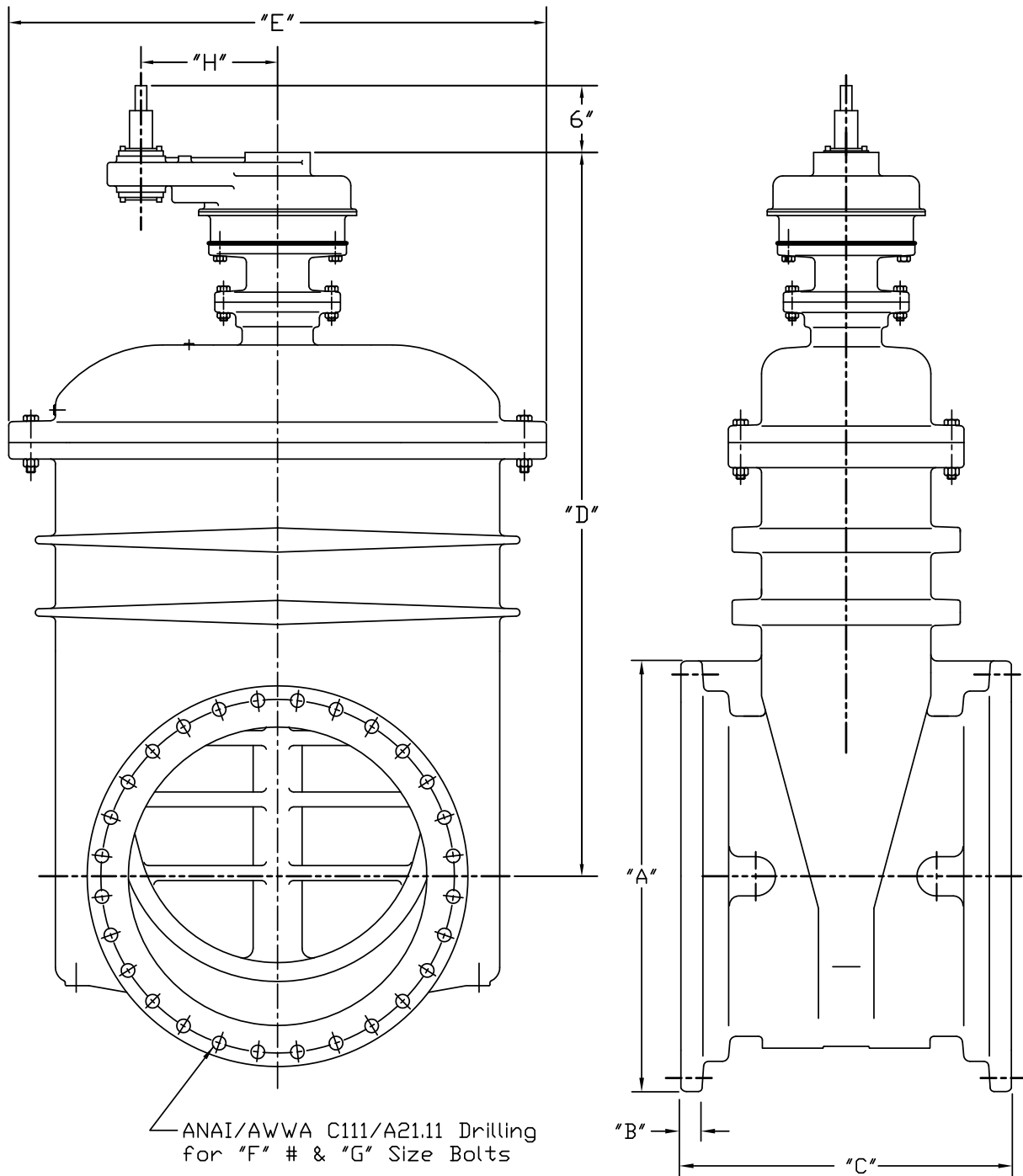
| Valve Size | "A"    | "B"   | "C"    | "D"      | "E"    | "F" | "G"   | "H" | "J"   |
|------------|--------|-------|--------|----------|--------|-----|-------|-----|-------|
| 30"        | 38-3/4 | 2-1/8 | 40     | 74-1/8   | 54-3/4 | 28  | 1-1/4 | 14  | 2     |
| 36"        | 46     | 2-3/8 | 30-3/4 | 83-11/16 | 58-7/8 | 32  | 1-1/2 | 14  | 1-1/4 |
| 42"        | 53     | 2-5/8 | 36     | 102-1/2  | 78     | 36  | 1-1/2 | 16  | 1-1/2 |
| 48"        | 59-1/2 | 2-3/4 | 35-1/2 | 105-1/2  | 78     | 44  | 1-1/2 | 16  | 1-1/2 |
| 54"        | 66-1/4 | 3     | 48     | 105-1/2  | 78     | 44  | 1-3/4 | 16  | 1-1/2 |

# 30" - 48" RW VALVE MECH. JOINT ENDS SPUR GEAR GENERAL DIMENSIONS

KENNEDY VALVE

MODEL KS-RW/2638

Fig. 7571AMSS



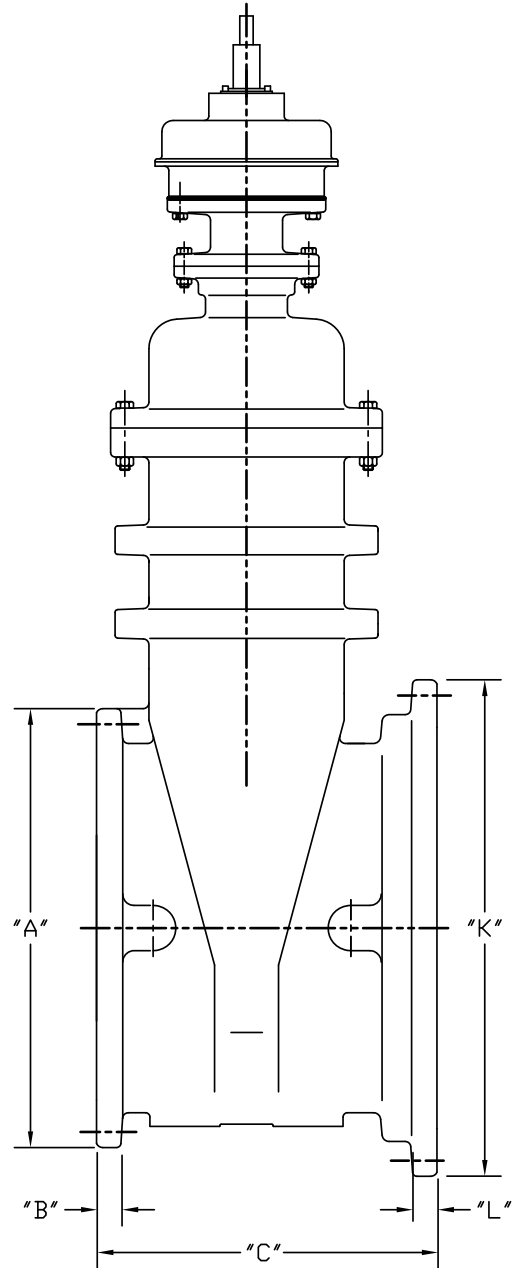
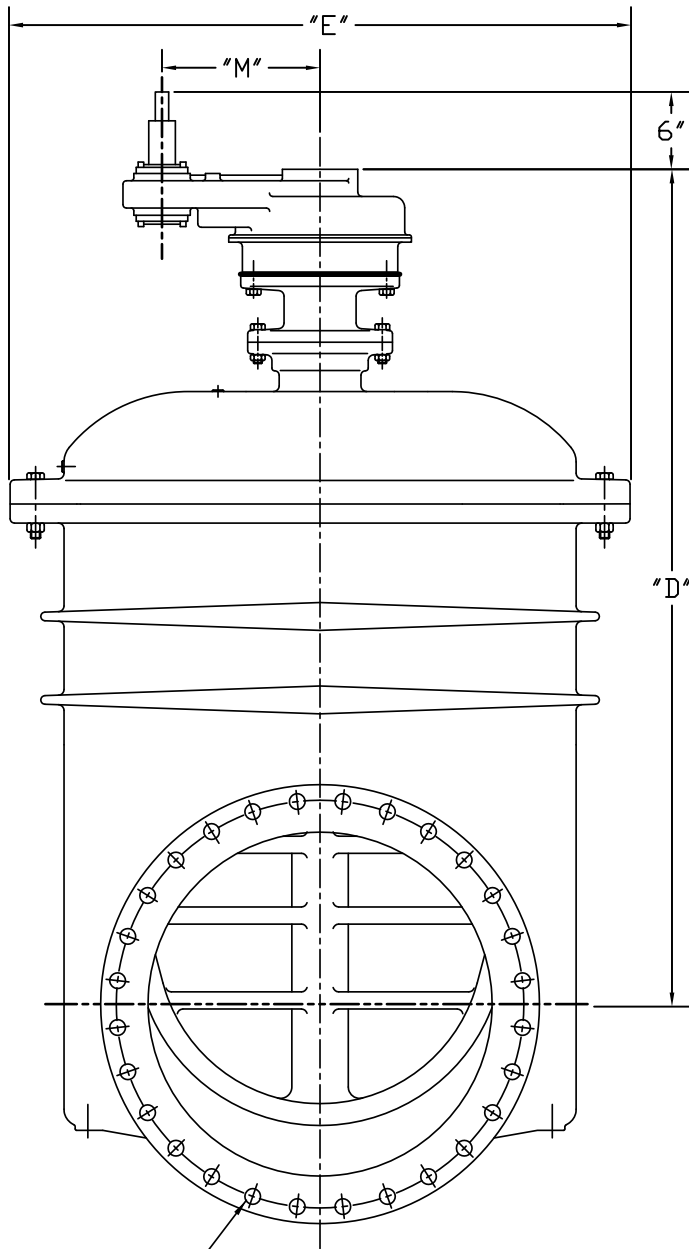
| VALVE SIZE | A      | B       | C      | D        | E      | F  | G     | H  |
|------------|--------|---------|--------|----------|--------|----|-------|----|
| 30"        | 39 1/2 | 1 11/16 | 35 1/2 | 74       | 54 3/4 | 20 | 1     | 14 |
| 36"        | 46 1/2 | 2       | 38 3/4 | 83 11/16 | 58 7/8 | 24 | 1     | 14 |
| 42"        | 54     | 2       | 39     | 102 1/2  | 78     | 28 | 1 1/4 | 14 |
| 48"        | 60 3/4 | 2       | 44     | 105 1/2  | 78     | 32 | 1 1/4 | 14 |

**30" - 48" R/W VALVE MJ x FLG ENDS  
SPUR GEAR GENERAL DIMENSIONS**

KENNEDY VALVE

MODEL KS-RW/2638

Fig. 7572AMSS



Flange End: ANSI B16.1 Class 125  
Drilling for "F" # & "G" Size Bolts  
MJ End: ANSI/AWWA C111/A21.11  
Drilling for "H" # & "J" Size Bolts

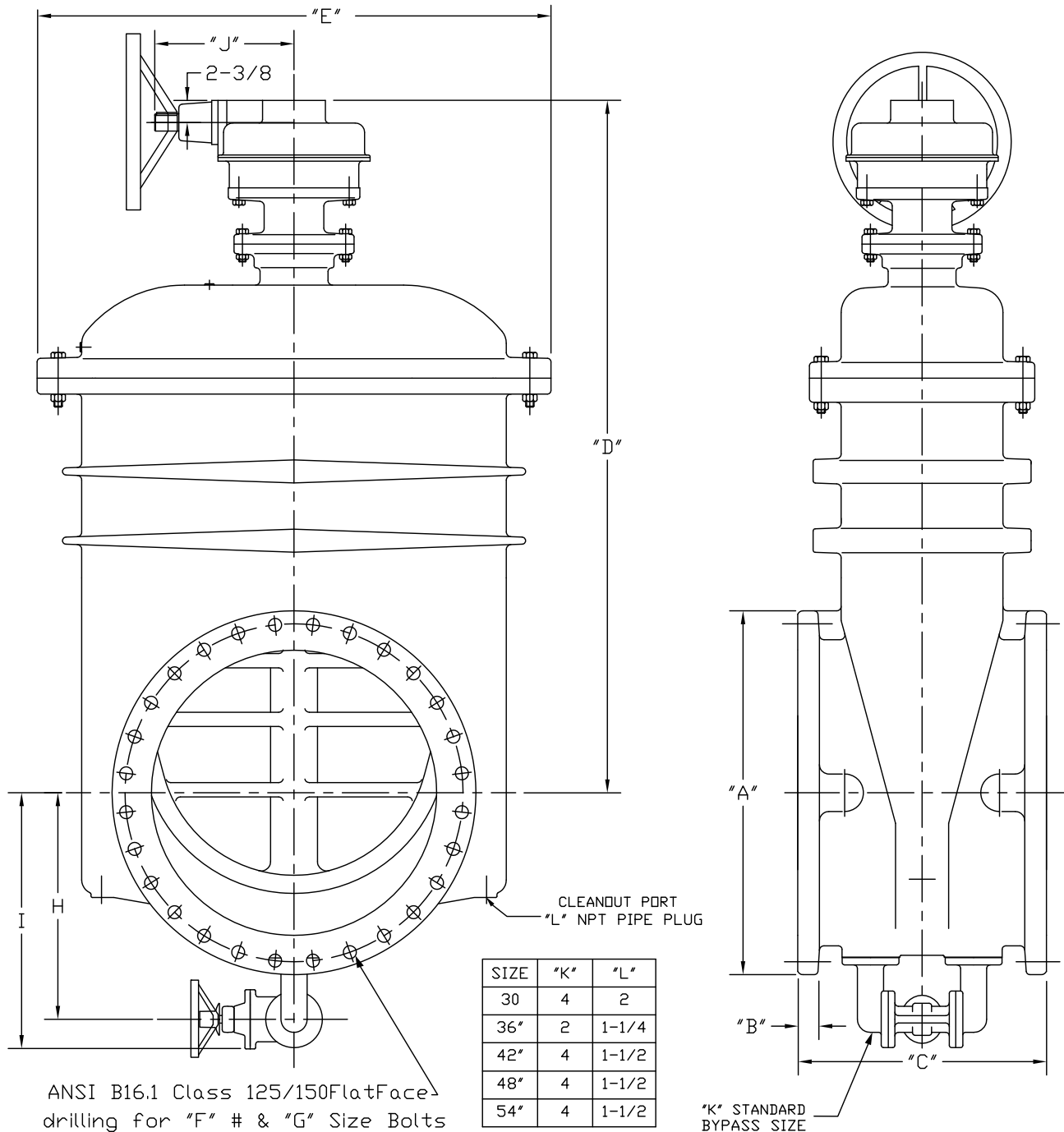
| VALVE SIZE | A      | B     | C      | D        | E      | F  | G     | H  | J     | K      | L       | M  |
|------------|--------|-------|--------|----------|--------|----|-------|----|-------|--------|---------|----|
| 30"        | 38 3/4 | 2 1/8 | 31     | 74       | 54 3/4 | 28 | 1 1/4 | 20 | 1     | 39 1/2 | 1 11/16 | 14 |
| 36"        | 46     | 2 3/8 | 34 3/4 | 81 11/16 | 58 7/8 | 32 | 1 1/2 | 24 | 1     | 46 1/2 | 2       | 14 |
| 42"        | 53     | 2 5/8 | 37 1/2 | 102 1/2  | 78     | 36 | 1 5/8 | 25 | 1 3/8 | 54     | 2       | 14 |
| 48"        | 59 1/2 | 2 3/4 | 39     | 105 1/2  | 78     | 44 | 1 5/8 | 32 | 1 3/8 | 60 3/4 | 2       | 14 |

# 30" - 48" R/W VALVE FLANGED ENDS BEVEL GEAR BYPASS GENERAL DIMENSIONS

KENNEDY VALVE

MODEL KS-RW/2638

Fig. 7561BEMSS



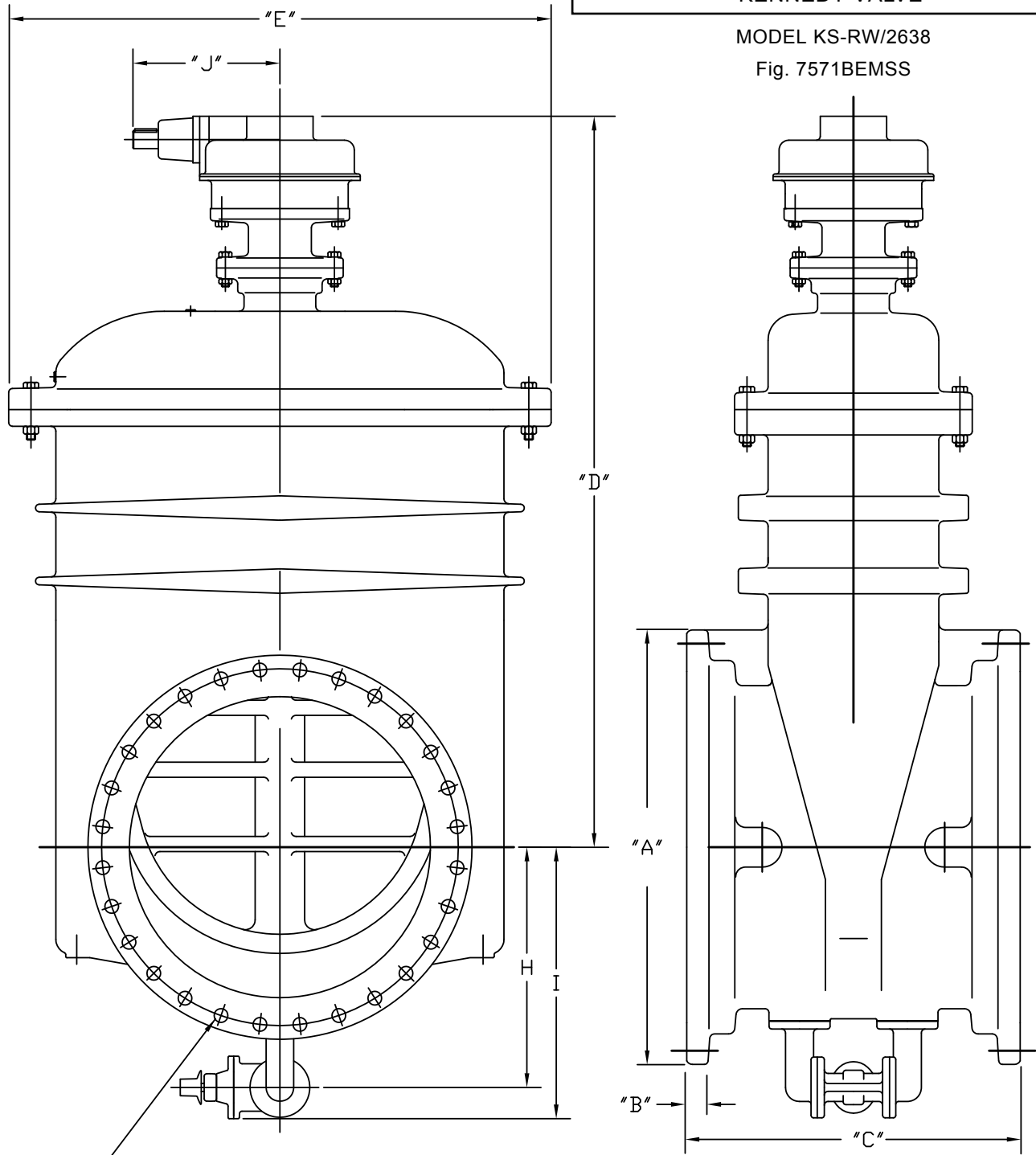
| Valve Size | "A"    | "B"   | "C"    | "D"     | "E"    | "F" | "G"   | "H"      | "I"      | "J"    |
|------------|--------|-------|--------|---------|--------|-----|-------|----------|----------|--------|
| 30"        | 38-3/4 | 2-1/8 | 40     | 73-7/8  | 54-3/4 | 28  | 1-1/4 | 24       | 28-1/2   | 14-7/8 |
| 36"        | 46     | 2-3/8 | 30-3/4 | 83-7/16 | 58-7/8 | 32  | 1-1/2 | 27-1/4   | 30-1/4   | 14-7/8 |
| 42"        | 53     | 2-5/8 | 36     | 100-3/4 | 78     | 36  | 1-1/2 | 30-15/16 | 35-7/16  | 17     |
| 48"        | 59-1/2 | 2-3/4 | 35-1/2 | 103-3/4 | 78     | 44  | 1-1/2 | 33-15/16 | 38-7/16  | 17     |
| 54"        | 66-1/4 | 3     | 48     | 103-3/4 | 78     | 44  | 1-3/4 | 37-5/16  | 41-13/16 | 17     |

**30" - 48" R/W VALVE MJ ENDS BEVEL  
GEAR BYPASS GENERAL DIMENSIONS**

KENNEDY VALVE

MODEL KS-RW/2638

Fig. 7571BEMSS



— ANAI/AWWA C111/A21.11 Drilling  
for "F" # & "G" Size Bolts

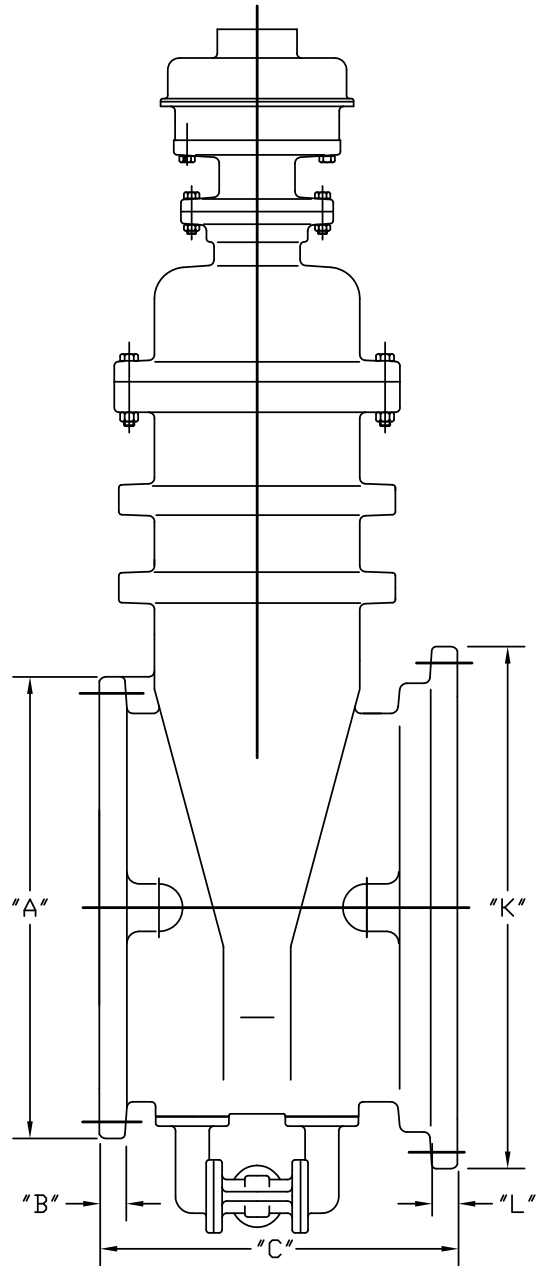
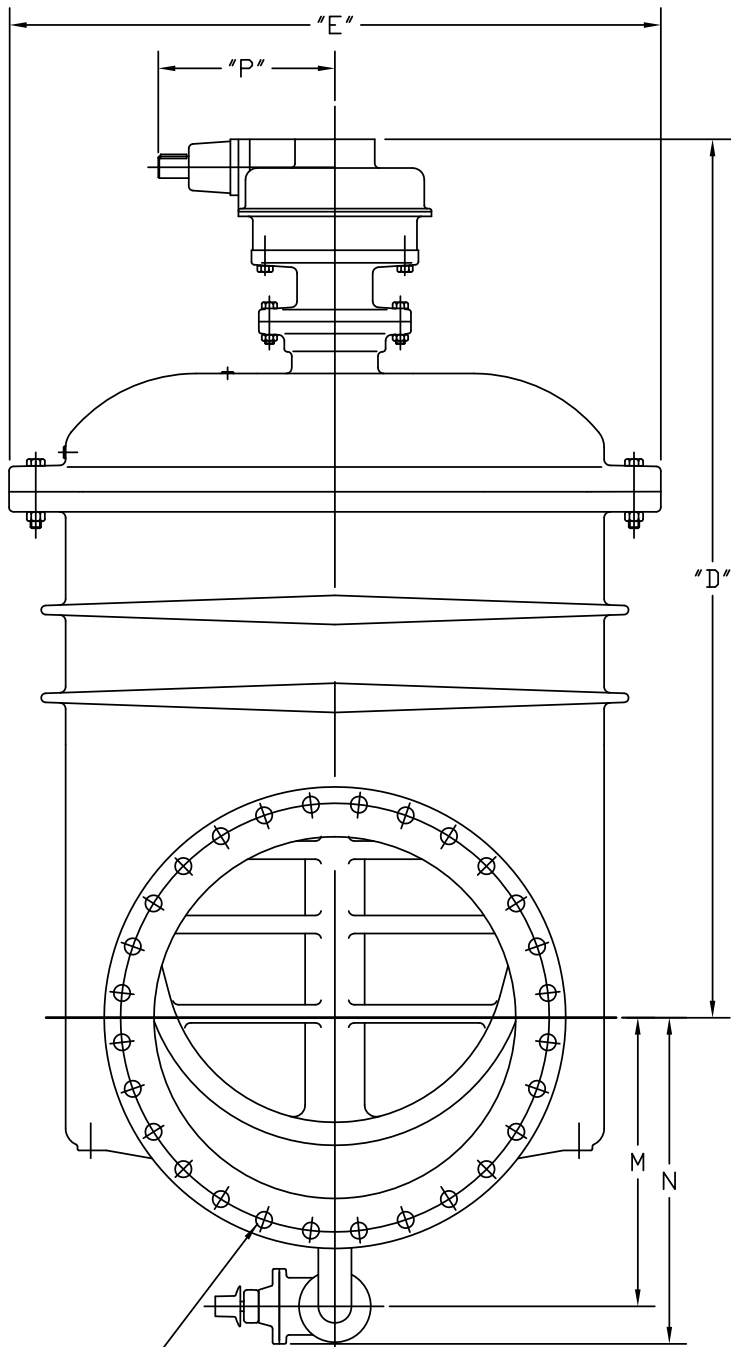
| VALVE SIZE | A      | B       | C      | D       | E      | F  | G     | H        | I       | J      |
|------------|--------|---------|--------|---------|--------|----|-------|----------|---------|--------|
| 30"        | 39 1/2 | 1 11/16 | 35 1/2 | 73 3/4  | 54 3/4 | 20 | 1     | 24       | 27      | 14 7/8 |
| 36"        | 46 1/2 | 2       | 38 3/4 | 83 7/16 | 58 7/8 | 24 | 1     | 27 1/4   | 30 1/4  | 14 7/8 |
| 42"        | 54     | 2       | 39     | 100 3/4 | 78     | 28 | 1 1/4 | 30 15/16 | 35 7/16 | 14 7/8 |
| 48"        | 60 3/4 | 2 1/8   | 44     | 103 3/4 | 78     | 32 | 1 1/4 | 33 15/16 | 38 7/16 | 14 7/8 |

**30" - 48" RW VALVE MJ x FLG ENDS BEVEL  
GEAR BYPASS GENERAL DIMENSIONS**

KENNEDY VALVE

MODEL KS-RW/2638

Fig. 7572BEMSS



Flange End: ANSI B16.1 Class 125  
Drilling for "F" # & "G" Size Bolts  
MJ End: ANSI/AWWA C111/A21.11  
Drilling for "H" # & "J" Size Bolts

| VALVE SIZE | A      | B     | C      | D       | E      | F  | G     | H  | J     | K      | L       | M        | N       | P      |
|------------|--------|-------|--------|---------|--------|----|-------|----|-------|--------|---------|----------|---------|--------|
| 30"        | 38 3/4 | 2 1/8 | 31     | 73 3/4  | 54 3/4 | 28 | 1 1/4 | 20 | 1     | 39 1/2 | 1 11/16 | 24       | 27      | 14 7/8 |
| 36"        | 46     | 2 3/8 | 34 3/4 | 83 7/16 | 58 7/8 | 32 | 1 1/2 | 24 | 1     | 46 1/2 | 2       | 27 1/4   | 30 1/4  | 14 7/8 |
| 42"        | 53     | 2 5/8 | 37 1/2 | 100 3/4 | 78     | 36 | 1 5/8 | 28 | 1 3/8 | 54     | 2       | 30 15/16 | 35 7/16 | 14 7/8 |
| 48"        | 59 1/2 | 2 3/4 | 39     | 103 3/4 | 78     | 44 | 1 5/8 | 32 | 1 3/8 | 60 3/4 | 2       | 33 15/16 | 38 7/16 | 14 7/8 |

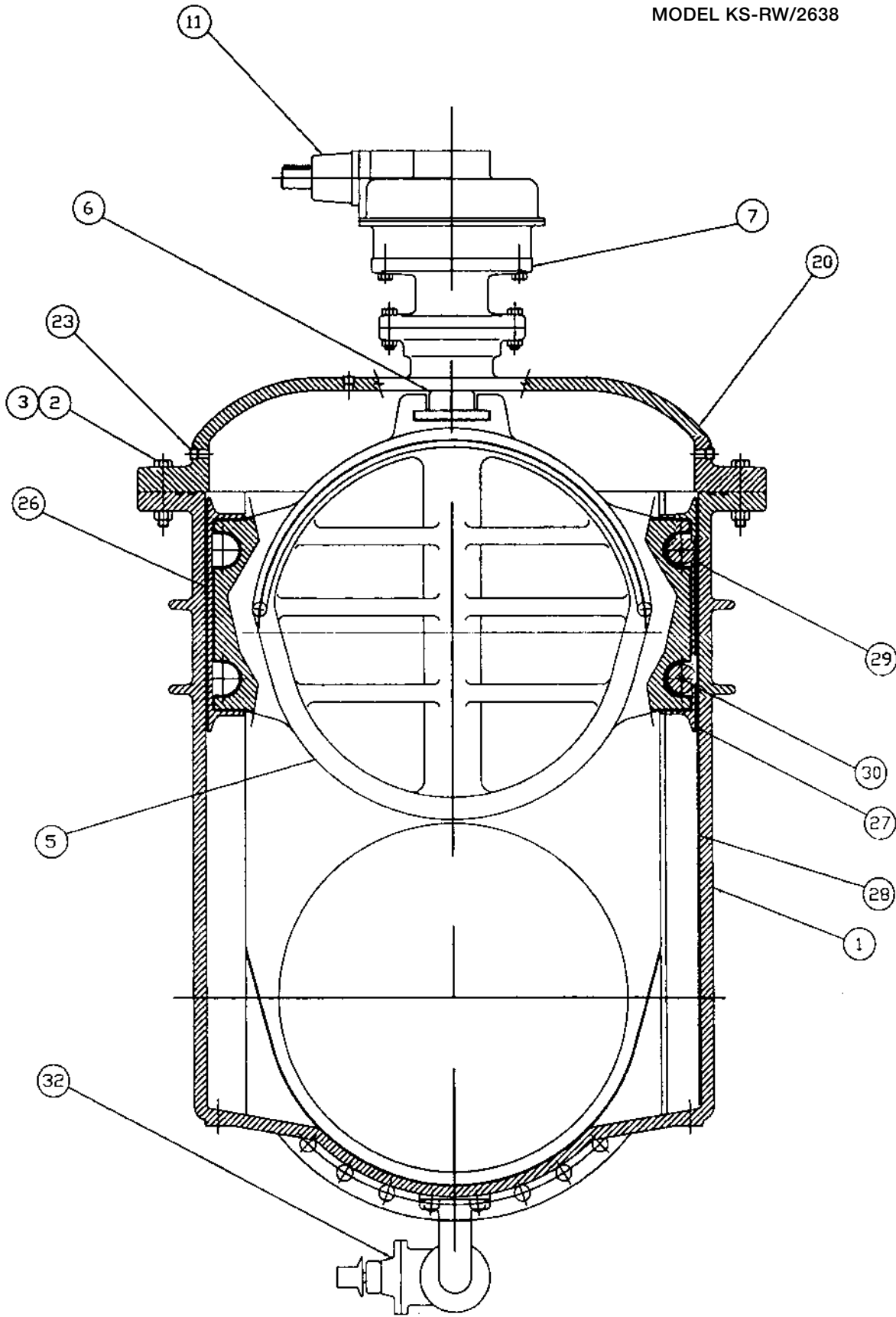




**30" - 48" R/W VALVE BEVEL  
GEAR ASSEMBLY WITH BYPASS**

**KENNEDY VALVE**

**MODEL KS-RW/2638**



**30" - 48" R/W VALVE BEVEL GEAR  
PARTS LIST WITH BYPASS**

KENNEDY VALVE

MODEL KS-RW/2638

| ITEM | QTY | DESCRIPTION                      | MATERIAL                        |
|------|-----|----------------------------------|---------------------------------|
| 1    | 1   | BODY - MECHANICAL JOINT          | ASTMA536 DUCTILE IRON           |
|      |     | BODY - FLANGE                    | ASTMA536 DUCTILE IRON           |
|      |     | BODY - MJ X FLANGE               | ASTMA536 DUCTILE IRON           |
|      |     | BODY - FASTITE                   | ASTMA536 DUCTILE IRON           |
| 2    | 22  | BOLT - 7/8-9NC HEX HD X 5-1/2 LG | AISI304 STAINLESS STEEL         |
| 3    | 22  | NUT - 7/8-9NC HEX                | AISI304 STAINLESS STEEL         |
| 4    | 1   | WEDGECASTING                     | ASTMA536 DUCTILE IRON           |
| 5    | 1   | MOLDEDWEDGE                      | EPDM                            |
| 6    | 1   | STEMNUT                          | ASTM B763 ALLOY C87610 BRONZE   |
| 7    | 1   | EXTENSION - ACTUATOR             | ASTMB536 DUCTILE IRON           |
| 8    | 8   | BOLT                             | AISI304 STAINLESS STEEL         |
| 9    | 8   | NUT                              | AISI304 STAINLESS STEEL         |
| 10   | 1   | KEY                              | STEEL                           |
| 11   | 1   | ACTUATOR                         |                                 |
| 12   | 1   | O-RING                           | EPDM                            |
| 13   | 8   | BOLT                             | AISI304 STAINLESS STEEL         |
| 14   | 1   | BUSHING - STEM GUIDE             | ASTM B584 ALLOY C83600 BRONZE   |
| 15   | 1   | O-RING                           | BUNA-N RUBBER                   |
| 16   | 2   | THRUSTBEARING                    | NYLATRON                        |
| 17   | 1   | O-RING                           | EPDM                            |
| 18   | 1   | COVER BUSHING                    | ASTMB584 ALLOY C83600 BRONZE    |
| 19   | 4   | O-RING                           | EPDM                            |
| 20   | 1   | COVER                            | ASTMB536 DUCTILE IRON           |
| 21   | 1   | O-RING COVER OUTER               | EPDM                            |
| 22   | 1   | STEM                             | ASTMB583 ALLOY C83600 BRONZE    |
| 23   | 2   | PIPEPLUG- 3/4 NPT W/SQUARE HD    | AISI 304 STAINLESS STEEL        |
| 24   | 1   | ACTUATORDRIVE BUSHING            | BRONZE                          |
| 25   | 1   | O-RING                           | EPDM                            |
| 26   | 1   | WEDGEPROTECTOR                   | URETHANE                        |
| 27   | 1   | SCRAPER                          | ASTMB148 C95400 ALUMINUM BRONZE |
| 28   | 1   | TRACK                            | AISI316 STAINLESS STEEL         |
| 29   | 2   | ROLLER                           | ASTMB148 C95400 ALUMINUM BRONZE |
| 30   | 2   | PIN - ROLLER                     | AISI316 STAINLESS STEEL         |
| 31   | 1   | O-RING - COVER INNER             | EPDM                            |
| 32   | 1   | BYPASSVALVE                      | ASTMA536 DUCTILE IRON           |
|      |     |                                  |                                 |



# **Kennedy Valve**

A DIVISION OF McWANE, INC.

[www.kennedyvalve.com](http://www.kennedyvalve.com)

1021 E. Water Street • Elmira, New York 14901  
P.O. Box 981  
PHONE: (607) 734-2211 • FAX: 1-800-952-4771

*Updated 03/19/19*