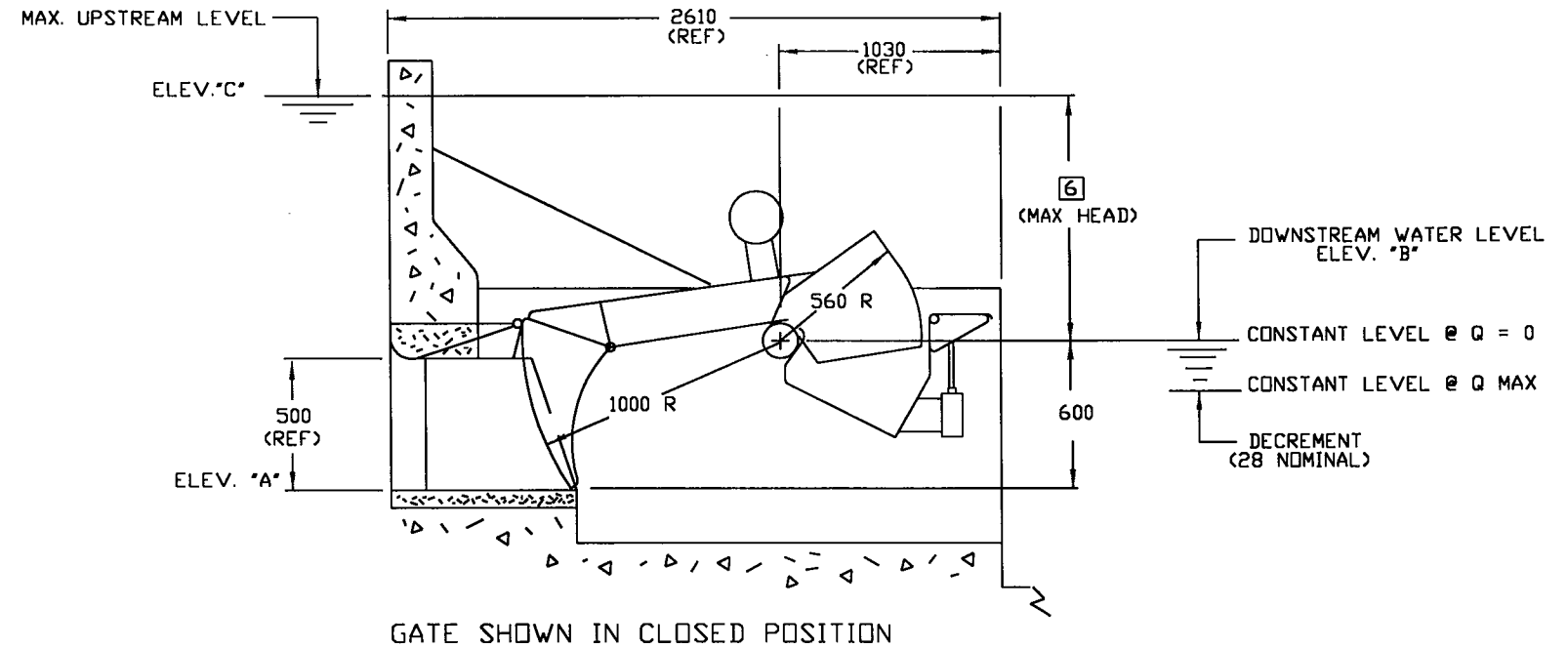


TABULATION BLOCK- ELEVATIONS ARE IN METERS

GATE IDENTIFICATION	ELEV. "A" U.S. INVERT	ELEV. "B" D.S. INVERT	ELEV. "C" MAX U.S. ELEV.



6 MAX. HEAD NOT TO EXCEED 224 CM (2.24 M); MAY BE LESS.

5. FINISH: STRUCTURAL STEEL MEMBERS ONLY
SURFACE PREP: NEAR WHITE BLAST CLEAN PER SSPC-SP10

PAINT: COAL TAR EPOXY: (1) CT (2 MILS) EPOXY PRIMER
PRIME & (2) CTS (8 MILS/CT) COAL TAR EPOXY
(TDFT - 18 MILS) COLOR - BLACK

EXCEPT - SURFACES TO BE EMBEDDED IN CONCRETE
MACHINE SURFACES THAT ARE NOT PAINTED SHALL BE MASKED
DURING PREPARATION AND BE PROTECTED BY WATER RESISTANT
GREASE.

4. MATERIAL a) BASIC GATE - STRUCTURAL STEEL PER ASTM A-36
b) ASSEMBLY HARDWARE - TYPE 304 STAINLESS STEEL

3. GATE ASSEMBLY, PARTS LIST, CONCRETE STRUCTURE DIMENSIONS, AND
ANCHORAGE FOR TYPE B-5 GATE IS SHOWN ON DRAWING 107379, PAGES 1,2,& 3

2. DIMENSIONS SHOWN IN MILLIMETERS.

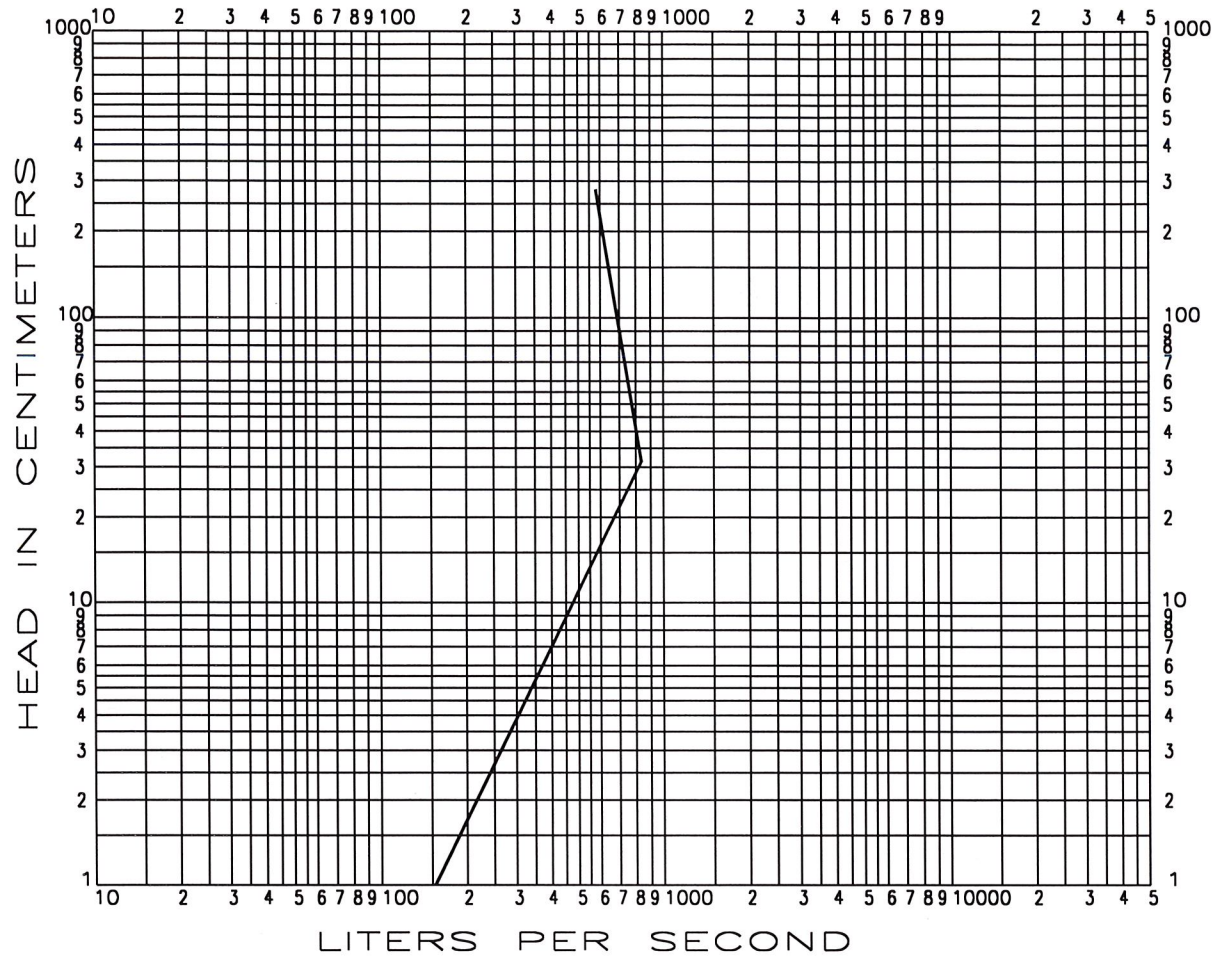
1. GATE SHOWN IN CLOSED POSITION.

NOTES: UNLESS OTHERWISE SPECIFIED.

() GATES REQUIRED @

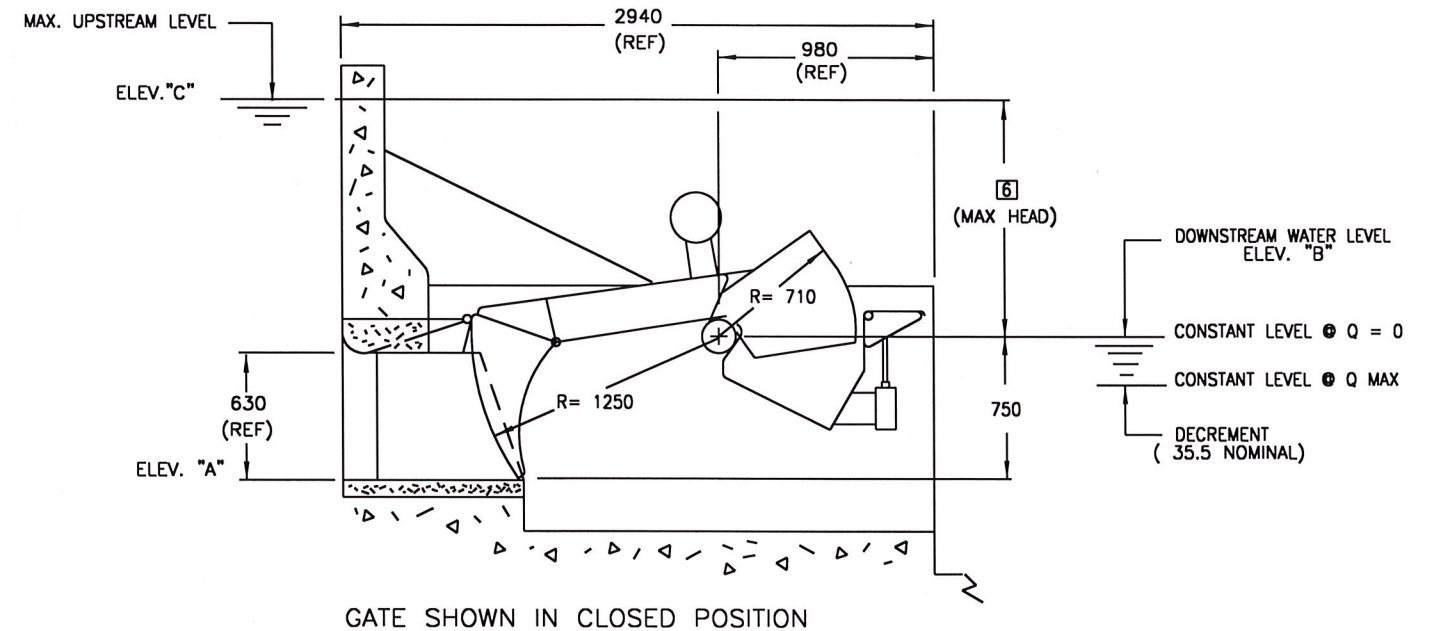
REF PLN SHT

REF:	<h2>TYPE B-5 DOWNSTREAM LEVEL CONTROL GATE</h2>	FOR:	REV.NO.	DATE	BY	JOB NO.	PROJECT MANAGER
			REV.NO.	DATE	BY	QUOTE NO.	QUOTE ITEM NO.
			REV.NO.	DATE	BY	DRAWN BY	CHECKED BY
			REV.NO.	DATE	BY	SCALE	DATE
			REV.NO.	DATE	BY	DRAWING NO.	FILE: TYPE-B5M



TABULATION BLOCK—ELEVATIONS ARE IN METERS

GATE IDENTIFICATION	ELEV. "A" U.S. INVERT	ELEV. "B" DOWNSTREAM	ELEV. "C" MAX U.S. ELEV.



- 6. MAX. HEAD NOT TO EXCEED 280 CM (2.8M); MAY BE LESS.
 - 5. FINISH: STRUCTURAL STEEL MEMBERS ONLY
 SURFACE PREP: NEAR WHITE BLAST CLEAN PER SSPC-SP10
 PAINT: COAL TAR EPOXY: (1) CT (2 MILS) EPOXY PRIMER PRIME & (2) CTS (8 MILS/CT) COAL TAR EPOXY (TDFT - 18 MILS) COLOR - BLACK
 EXCEPT - SURFACES TO BE EMBEDDED IN CONCRETE
 MACHINE SURFACES THAT ARE NOT PAINTED SHALL BE MASKED DURING PREPARATION AND BE PROTECTED BY WATER RESISTANT GREASE.
 - 4. MATERIAL a) BASIC GATE - STRUCTURAL STEEL PER ASTM A-36
 b) ASSEMBLY HARDWARE - TYPE 304 STAINLESS STEEL
 - 3. GATE ASSEMBLY, PARTS LIST, CONCRETE STRUCTURE DIMENSIONS, AND ANCHORAGE FOR TYPE B-7. GATE IS SHOWN ON DRAWING 106590, PAGES 1,2,& 3
 - 2. DIMENSIONS SHOWN IN MILLIMETERS.
 - 1. GATE SHOWN IN CLOSED POSITION.
- NOTES: UNLESS OTHERWISE SPECIFIED.

() GATES REQUIRED @

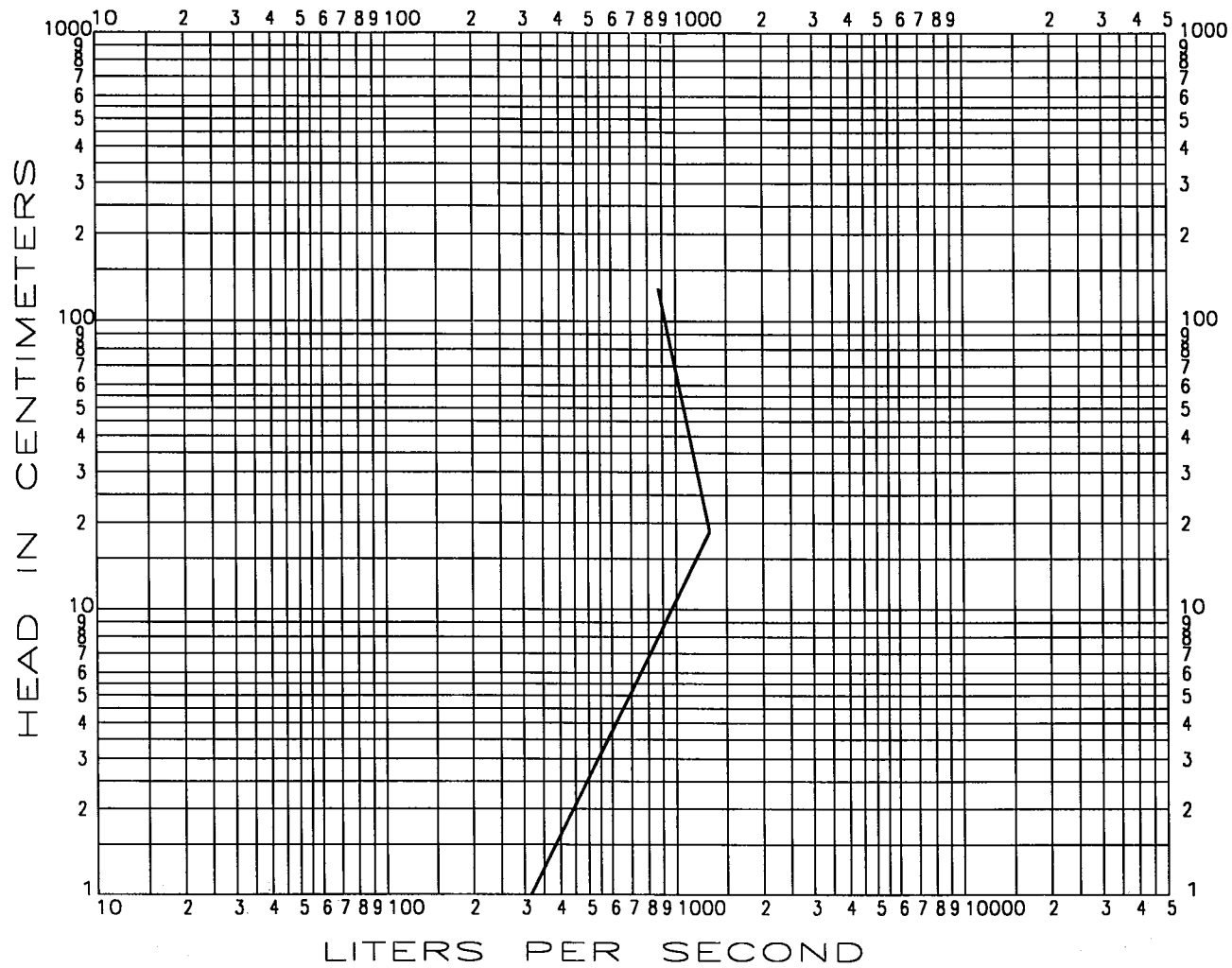
REF. PLAN SHEET

REF:	TYPE B-7 DOWNSTREAM LEVEL CONTROL GATE	FOR:	REV.NO.	DATE	BY	JOB NO.	PROJECT MANAGER
			REV.NO.	DATE	BY	QUOTE NO.	QUOTE ITEM NO.
			REV.NO.	DATE	BY	DRAWN BY	CHECKED BY
			REV.NO.	DATE	BY	SCALE NONE	DATE
			REV.NO.	DATE	BY	DRAWING NO.	FILENAME:TYPE-B7M



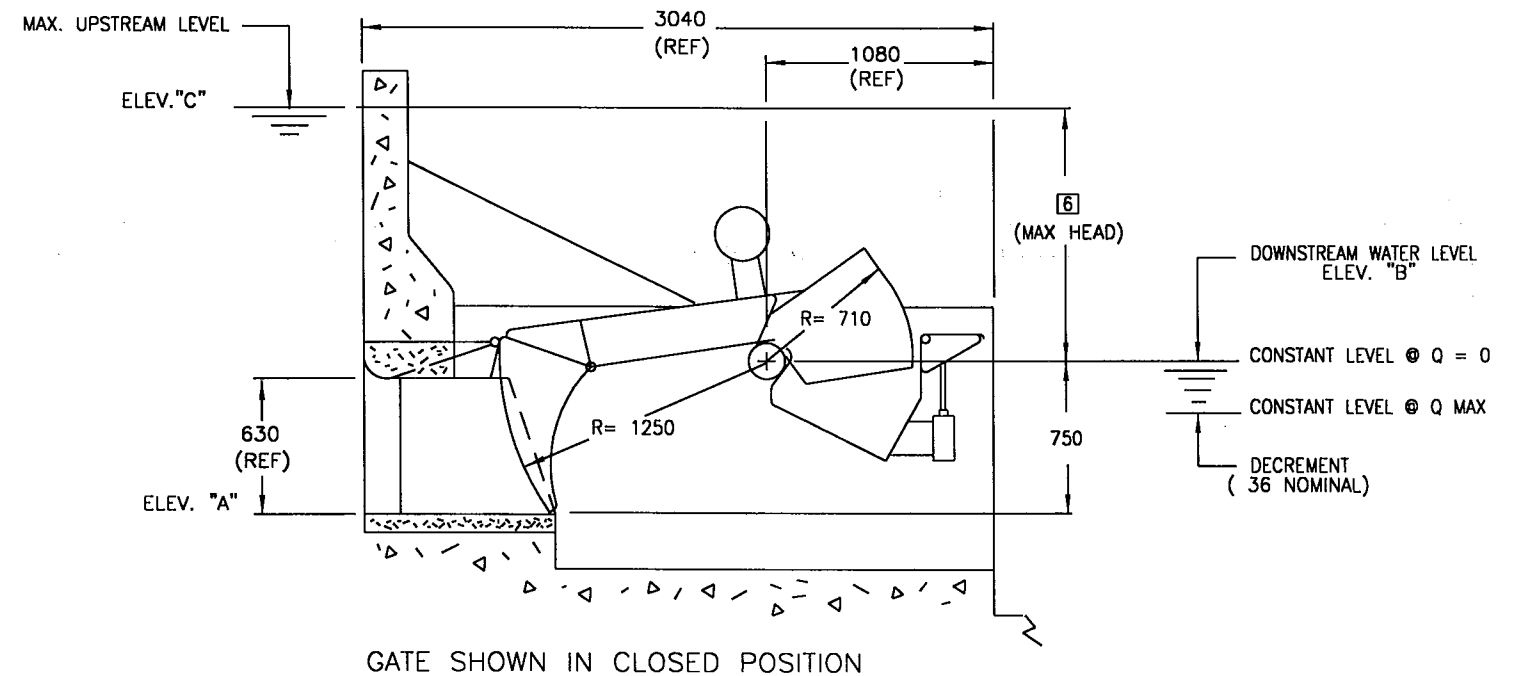
INDUSTRIES INC.

EXETER, CALIFORNIA 93221



TABULATION BLOCK—ELEVATIONS ARE IN METERS

GATE IDENTIFICATION	ELEV. "A" U.S. INVERT	ELEV. "B" DOWNSTREAM	ELEV. "C" MAX U.S. ELEV.



- 5. MAX. HEAD NOT TO EXCEED 140 CM (1.4 M); MAY BE LESS.
 - 5. FINISH: STRUCTURAL STEEL MEMBERS ONLY
SURFACE PREP: NEAR WHITE BLAST CLEAN PER SSPC-SP10

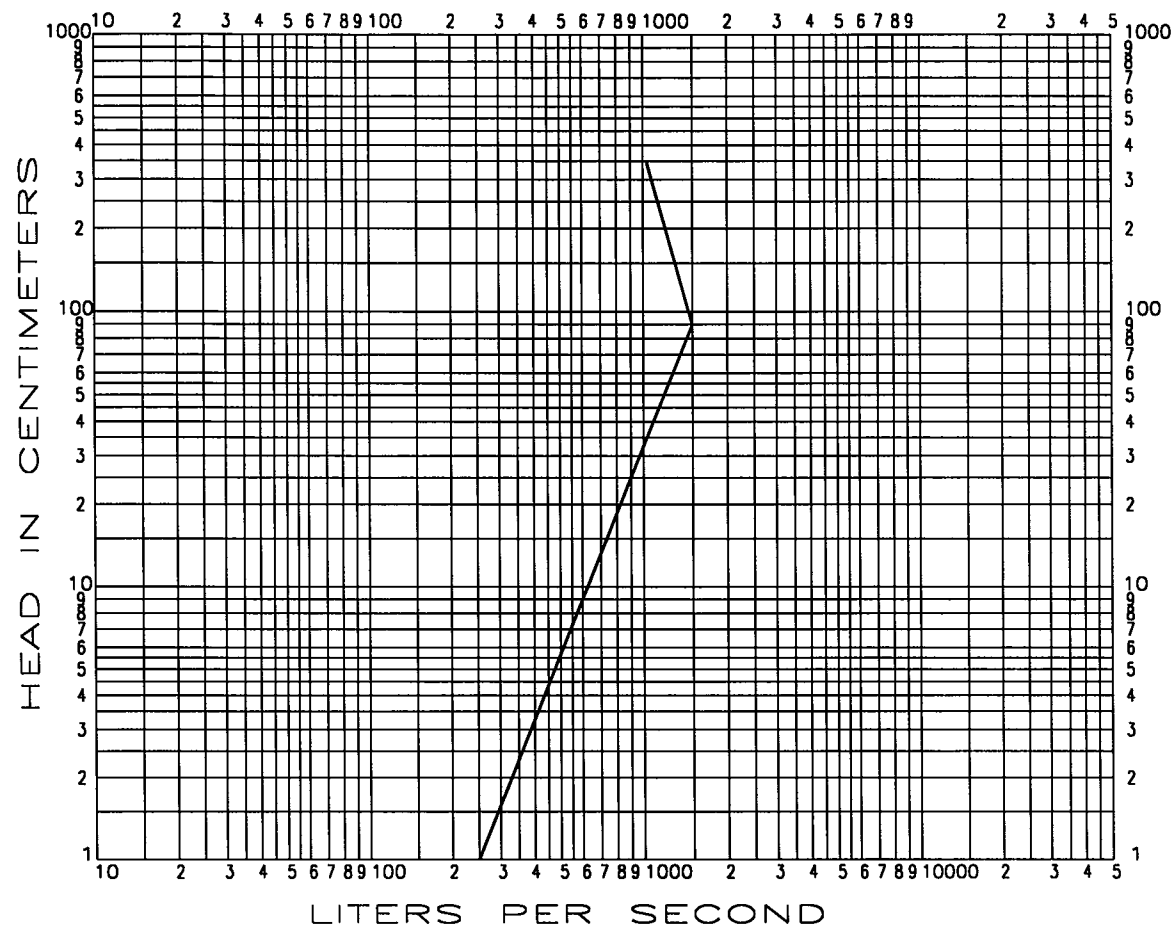
PAINT: COAL TAR EPOXY: (1) CT (2 MILS) EPOXY PRIMER PRIME & (2) CTS (8 MILS/CT) COAL TAR EPOXY (TDFT - 18 MILS) COLOR - BLACK

EXCEPT - SURFACES TO BE EMBEDDED IN CONCRETE MACHINE SURFACES THAT ARE NOT PAINTED SHALL BE MASKED DURING PREPARATION AND BE PROTECTED BY WATER RESISTANT GREASE.
 - 4. MATERIAL a) BASIC GATE - STRUCTURAL STEEL PER ASTM A-36
b) ASSEMBLY HARDWARE - TYPE 304 STAINLESS STEEL
 - 3. GATE ASSEMBLY, PARTS LIST, CONCRETE STRUCTURE DIMENSIONS, AND ANCHORAGE FOR TYPE B-11 GATE IS SHOWN ON DRAWING 107247, PAGES 1,2,& 3
 - 2. DIMENSIONS SHOWN IN MILLIMETERS.
 - 1. GATE SHOWN IN CLOSED POSITION.
- NOTES: UNLESS OTHERWISE SPECIFIED.

**TYPE B-8
DOWNSTREAM LEVEL
CONTROL GATE**

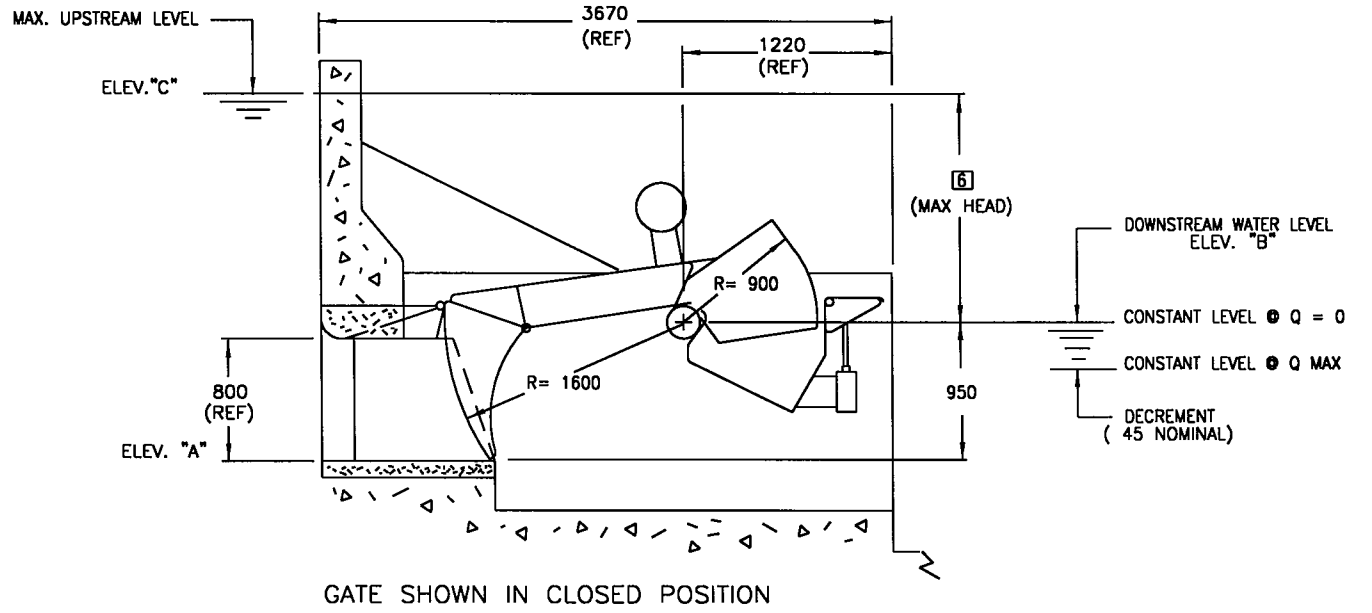
() GATES REQUIRED @ REF. PLAN SHEET

REV.NO.	DATE	BY	JOB NO.	PROJECT MANAGER
			QUOTE NO.	QUOTE ITEM NO.
			DRAWN BY	CHECKED BY
			SCALE NONE	DATE
			DRAWING NO.	



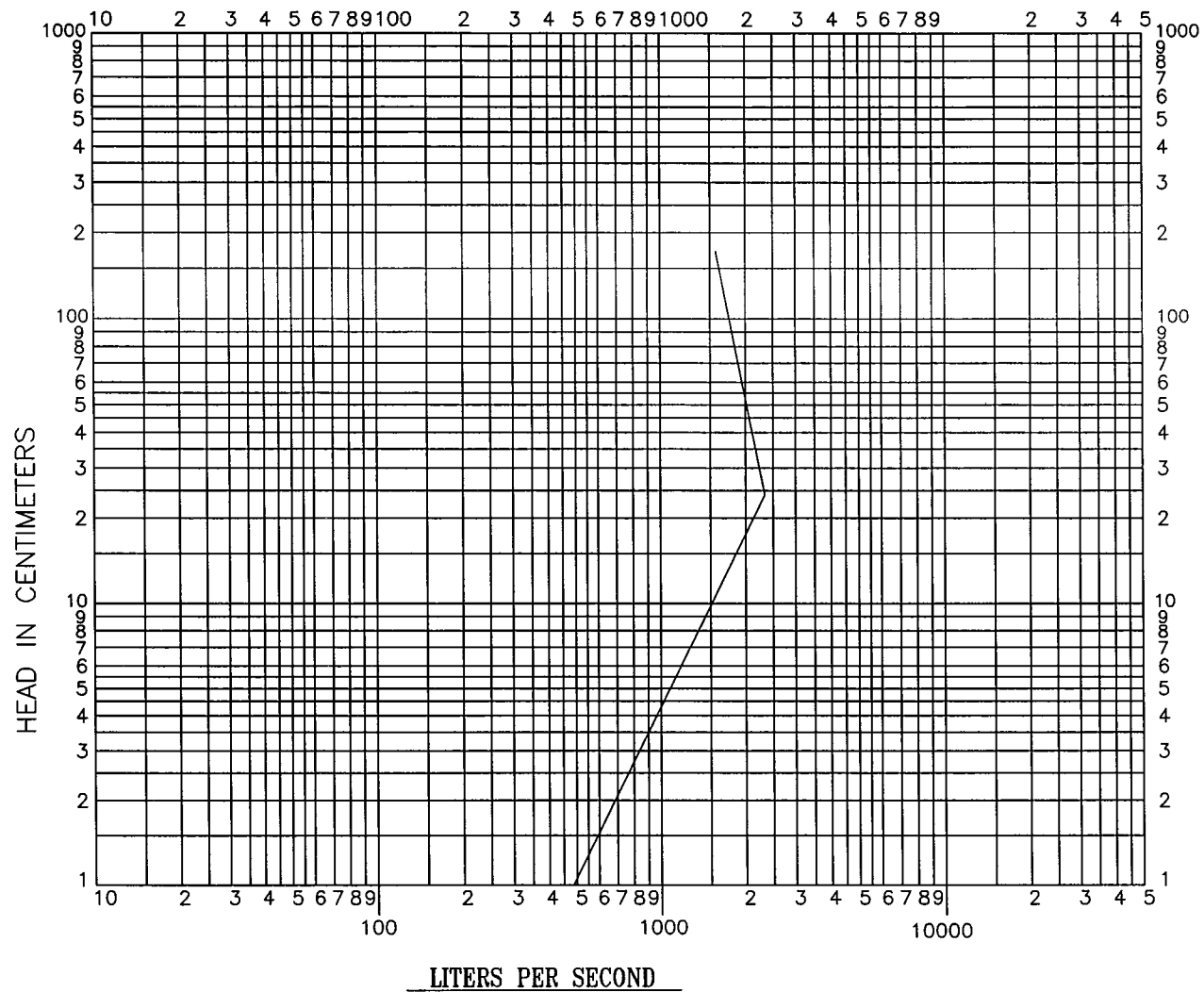
TABULATION BLOCK—ELEVATIONS ARE IN METERS

GATE IDENTIFICATION	ELEV. "A" U.S. INVERT	ELEV. "B" DOWNSTREAM	ELEV. "C" MAX U.S. ELEV.

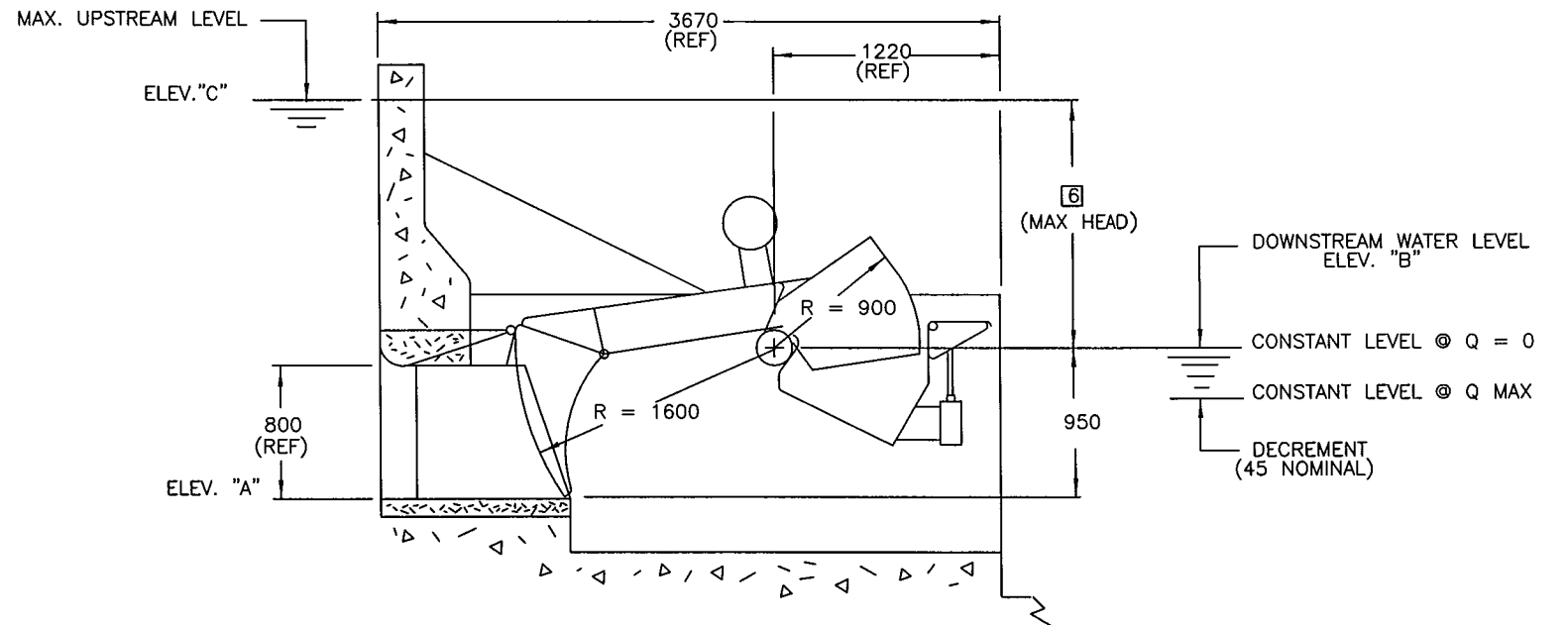


- 6. MAX. HEAD NOT TO EXCEED 355 CM (3.55M); MAY BE LESS.
 - 5. FINISH: STRUCTURAL STEEL MEMBERS ONLY
 SURFACE PREP: NEAR WHITE BLAST CLEAN PER SSPC-SP10
 PAINT: COAL TAR EPOXY: (1) CT (2 MILS) EPOXY PRIMER PRIME & (2) CTS (8 MILS/CT) COAL TAR EPOXY (TDFT - 18 MILS) COLOR - BLACK
 EXCEPT - SURFACES TO BE EMBEDDED IN CONCRETE
 MACHINE SURFACES THAT ARE NOT PAINTED SHALL BE MASKED DURING PREPARATION AND BE PROTECTED BY WATER RESISTANT GREASE.
 - 4. MATERIAL a) BASIC GATE - STRUCTURAL STEEL PER ASTM A-36
 b) ASSEMBLY HARDWARE - TYPE 304 STAINLESS STEEL
 - 3. GATE ASSEMBLY, PARTS LIST, CONCRETE STRUCTURE DIMENSIONS, AND ANCHORAGE FOR TYPE B-9 GATE IS SHOWN ON DRAWING 107025 , PAGES 1,2,& 3
 - 2. DIMENSIONS SHOWN IN MILLIMETERS.
 - 1. GATE SHOWN IN CLOSED POSITION.
- NOTES: UNLESS OTHERWISE SPECIFIED.

REF:	TYPE B-9 DOWNSTREAM LEVEL CONTROL GATE	FOR:	() GATES REQUIRED		REF. PLAN SHEET		
			REV.NO.	DATE	BY	JOB NO.	PROJECT MANAGER
			REV.NO.	DATE	BY	QUOTE NO.	QUOTE ITEM NO.
			REV.NO.	DATE	BY	DRAWN BY	CHECKED BY
			REV.NO.	DATE	BY	SCALE NONE	DATE
REV.NO.	DATE	BY	DRAWING NO.	FILENAME:TYPE-B9M			



TABULATION BLOCK - ELEVATIONS ARE IN METERS			
GATE IDENTIFICATION	ELEV. "A" U.S. INVERT	ELEV. "B" D.S. LEVEL	ELEV. "C" MAX U.S. ELEV.



GATE SHOWN IN CLOSED POSITION

6 MAX. HEAD NOT TO EXCEED 180 CM (1.8 M); MAY BE LESS.

5. FINISH: STRUCTURAL STEEL MEMBERS ONLY
 SURFACE PREP: NEAR WHITE BLAST CLEAN PER SSPC-SP10

PAINT: COAL TAR EPOXY: (1) CT (2 MILS) EPOXY PRIMER
 PRIME & (2) CTS (8 MILS/CT) COAL TAR EPOXY
 (TDFT - 18 MILS) COLOR - BLACK

EXCEPT - SURFACES TO BE EMBEDDED IN CONCRETE
 MACHINE SURFACES THAT ARE NOT PAINTED SHALL BE MASKED
 DURING PREPARATION AND BE PROTECTED BY WATER RESISTANT
 GREASE.

4. MATERIAL a) BASIC GATE - STRUCTURAL STEEL PER ASTM A-36
 b) ASSEMBLY HARDWARE - TYPE 304 STAINLESS STEEL

3. GATE ASSEMBLY, PARTS LIST, CONCRETE STRUCTURE DIMENSIONS, AND
 ANCHORAGE FOR TYPE B-10 GATE IS SHOWN ON DRAWING 106491, PAGES 1,2,& 3

2. DIMENSIONS SHOWN IN MILLIMETERS.

1. GATE SHOWN IN CLOSED POSITION.

NOTES: UNLESS OTHERWISE SPECIFIED.

() GATES REQUIRED @

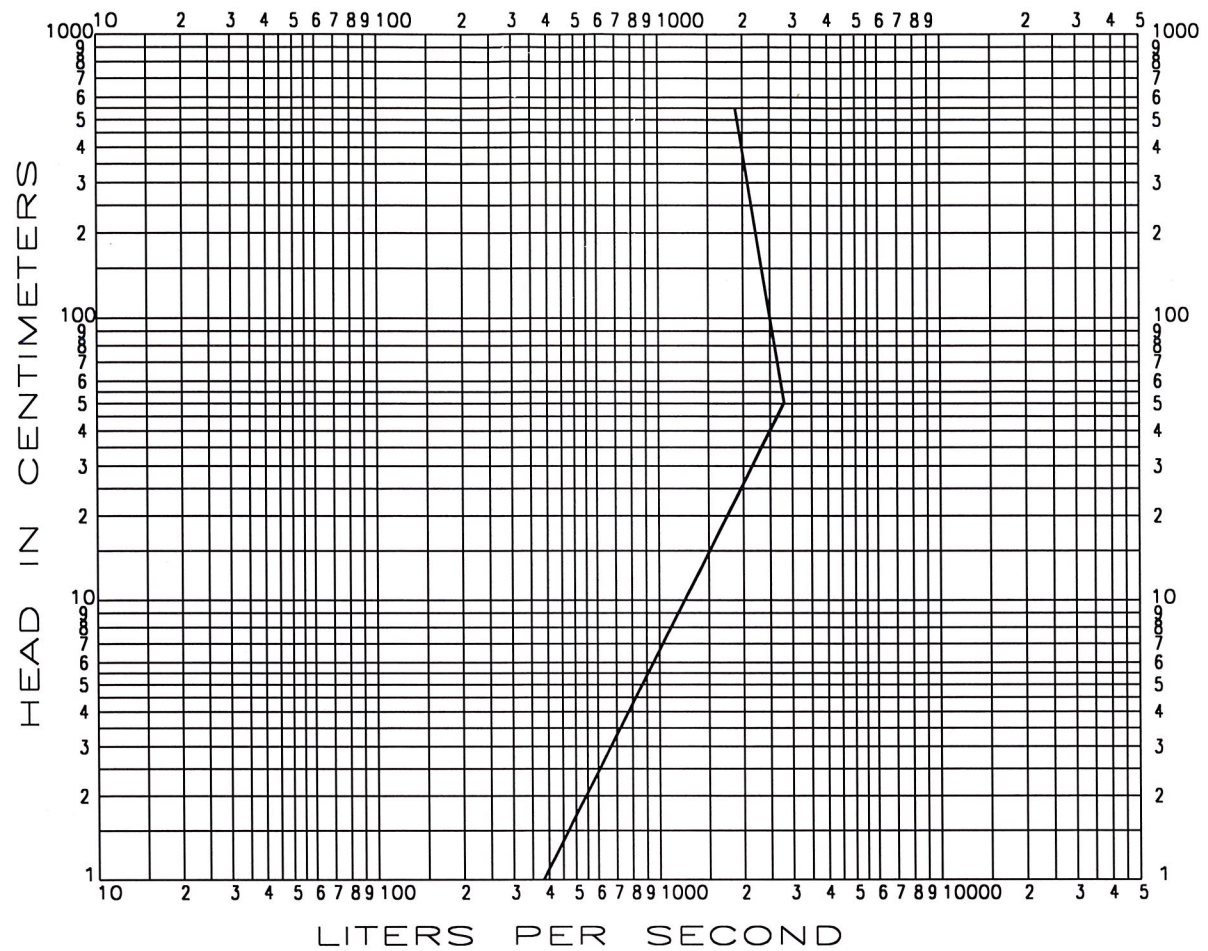
REF PLN SHT

REF:	TYPE B-10 DOWNSTREAM LEVEL CONTROL GATE	FOR:	REV.NO.	DATE	BY	JOB NO.	PROJECT MANAGER
			REV.NO.	DATE	BY	QUOTE NO.	QUOTE ITEM NO.
			REV.NO.	DATE	BY	DRAWN BY	CHECKED BY
			REV.NO.	DATE	BY	SCALE NONE	DATE
			REV.NO.	DATE	BY	DRAWING NO.	FILENAME: TYPE-B10M



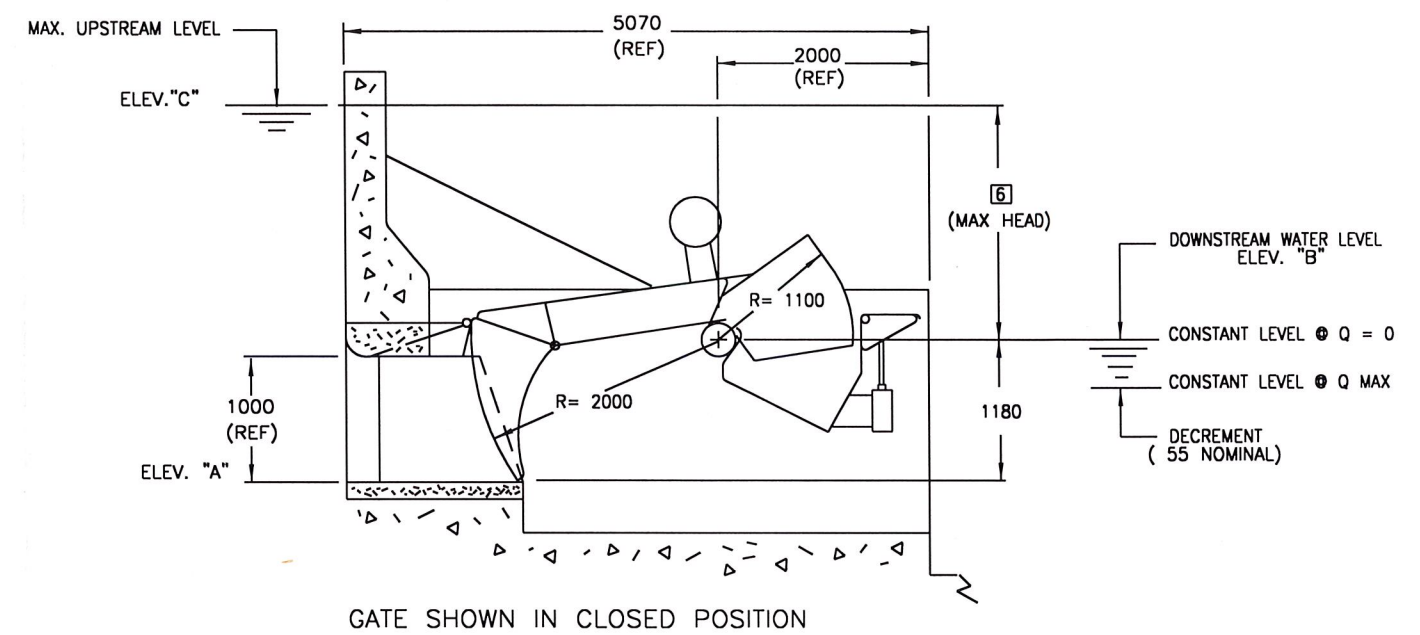
INDUSTRIES INC.

EXETER, CALIFORNIA 93221



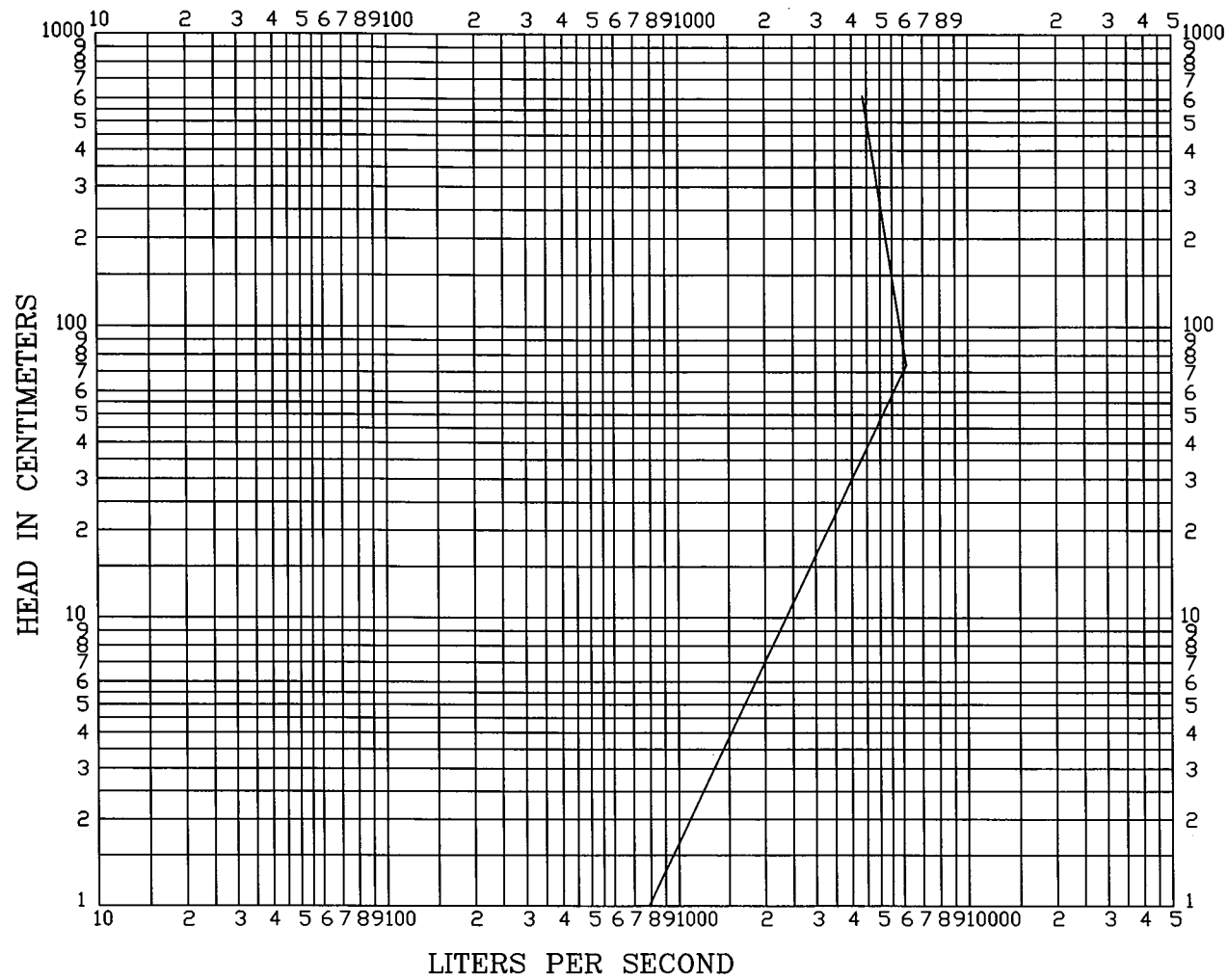
TABULATION BLOCK-ELEVATIONS ARE IN METERS

GATE IDENTIFICATION	ELEV. "A" U.S. INVERT	ELEV. "B" DOWNSTREAM	ELEV. "C" MAX U.S. ELEV.



- 6. MAX. HEAD NOT TO EXCEED 450 CM (4.5M); MAY BE LESS.
 - 5. FINISH: STRUCTURAL STEEL MEMBERS ONLY
 SURFACE PREP: NEAR WHITE BLAST CLEAN PER SSPC-SP10
 PAINT: COAL TAR EPOXY: (1) CT (2 MILS) EPOXY PRIMER PRIME & (2) CTS (8 MILS/CT) COAL TAR EPOXY (TDFT - 18 MILS) COLOR - BLACK
 EXCEPT - SURFACES TO BE EMBEDDED IN CONCRETE MACHINE SURFACES THAT ARE NOT PAINTED SHALL BE MASKED DURING PREPARATION AND BE PROTECTED BY WATER RESISTANT GREASE.
 - 4. MATERIAL a) BASIC GATE - STRUCTURAL STEEL PER ASTM A-36
 b) ASSEMBLY HARDWARE - TYPE 304 STAINLESS STEEL
 - 3. GATE ASSEMBLY, PARTS LIST, CONCRETE STRUCTURE DIMENSIONS, AND ANCHORAGE FOR TYPE B-11 GATE IS SHOWN ON DRAWING 107209 , PAGES 1,2,& 3
 - 2. DIMENSIONS SHOWN IN MILLIMETERS.
 - 1. GATE SHOWN IN CLOSED POSITION.
- NOTES: UNLESS OTHERWISE SPECIFIED.

REF:	TYPE B-11 DOWNSTREAM LEVEL CONTROL GATE	FOR:	() GATES REQUIRED @		REF. PLAN SHEET		
			REV.NO.	DATE	BY	JOB NO.	PROJECT MANAGER
			REV.NO.	DATE	BY	QUOTE NO.	QUOTE ITEM NO.
			REV.NO.	DATE	BY	DRAWN BY	CHECKED BY
			REV.NO.	DATE	BY	SCALE	DATE
REV.NO.	DATE	BY	NONE		DRAWING NO.	FILENAME:TYPE-B11M	



6 MAX. HEAD NOT TO EXCEED 224 CM (2.24 M); MAY BE LESS.

5. FINISH: STRUCTURAL STEEL MEMBERS ONLY
 SURFACE PREP: NEAR WHITE BLAST CLEAN PER SSPC-SP10

PAINT:

EXCEPT - SURFACES TO BE EMBEDDED IN CONCRETE
 MACHINE SURFACES THAT ARE NOT PAINTED SHALL BE MASKED
 DURING PREPARATION AND BE PROTECTED BY WATER RESISTANT
 GREASE.

4. MATERIAL a) BASIC GATE - STRUCTURAL STEEL PER ASTM A-36
 b) ASSEMBLY HARDWARE - TYPE 304 STAINLESS STEEL

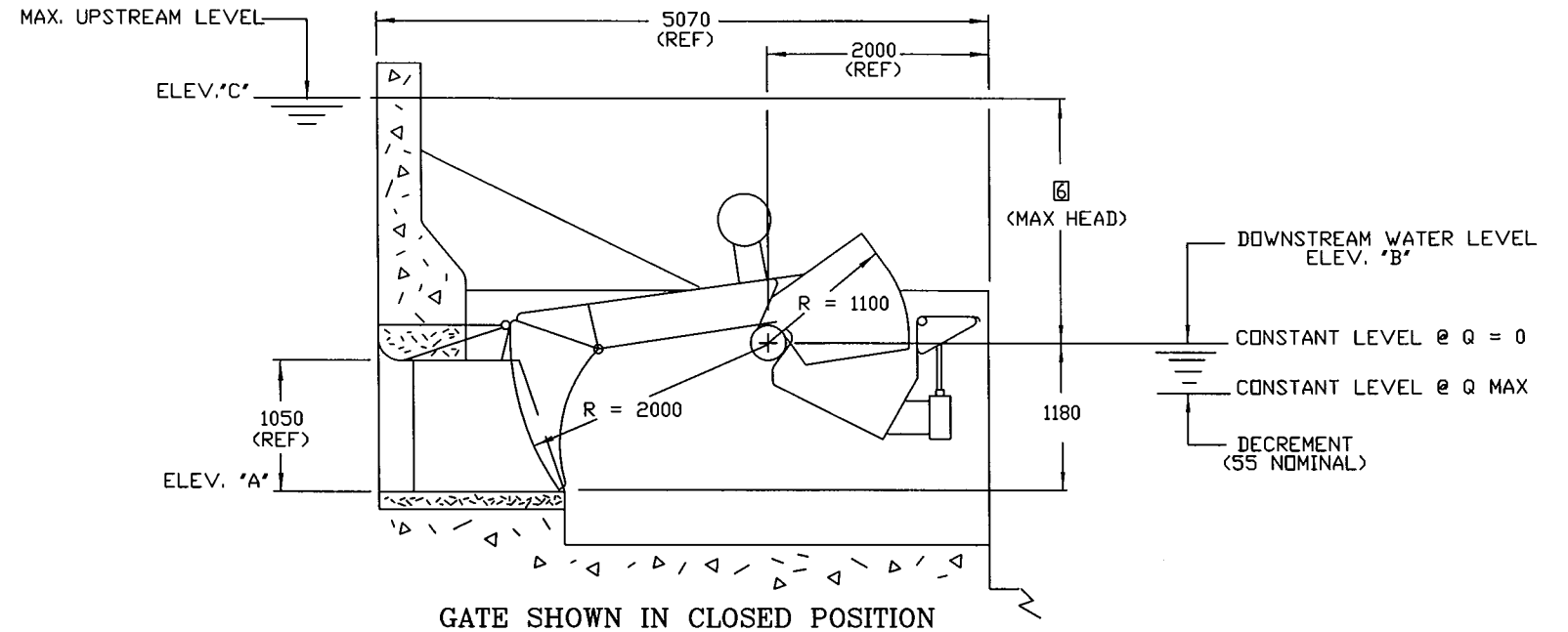
3. GATE ASSEMBLY, PARTS LIST, CONCRETE STRUCTURE DIMENSIONS, AND
 ANCHORAGE FOR TYPE B-12 GATE IS SHOWN ON DRAWING 106492, PAGES 1,2,& 3

2. DIMENSIONS SHOWN IN MILLIMETERS.

1. GATE SHOWN IN CLOSED POSITION.

NOTES: UNLESS OTHERWISE SPECIFIED.

TABULATION BLOCK - ELEVATIONS ARE IN METERS				
GATE IDENTIFICATION	ELEV. "A" U.S. INVERT	ELEV. "B" D.S. LEVEL	ELEV. "C" MAX W.S. ELEV.	ELEV. "D" MIN W.S. ELEV.

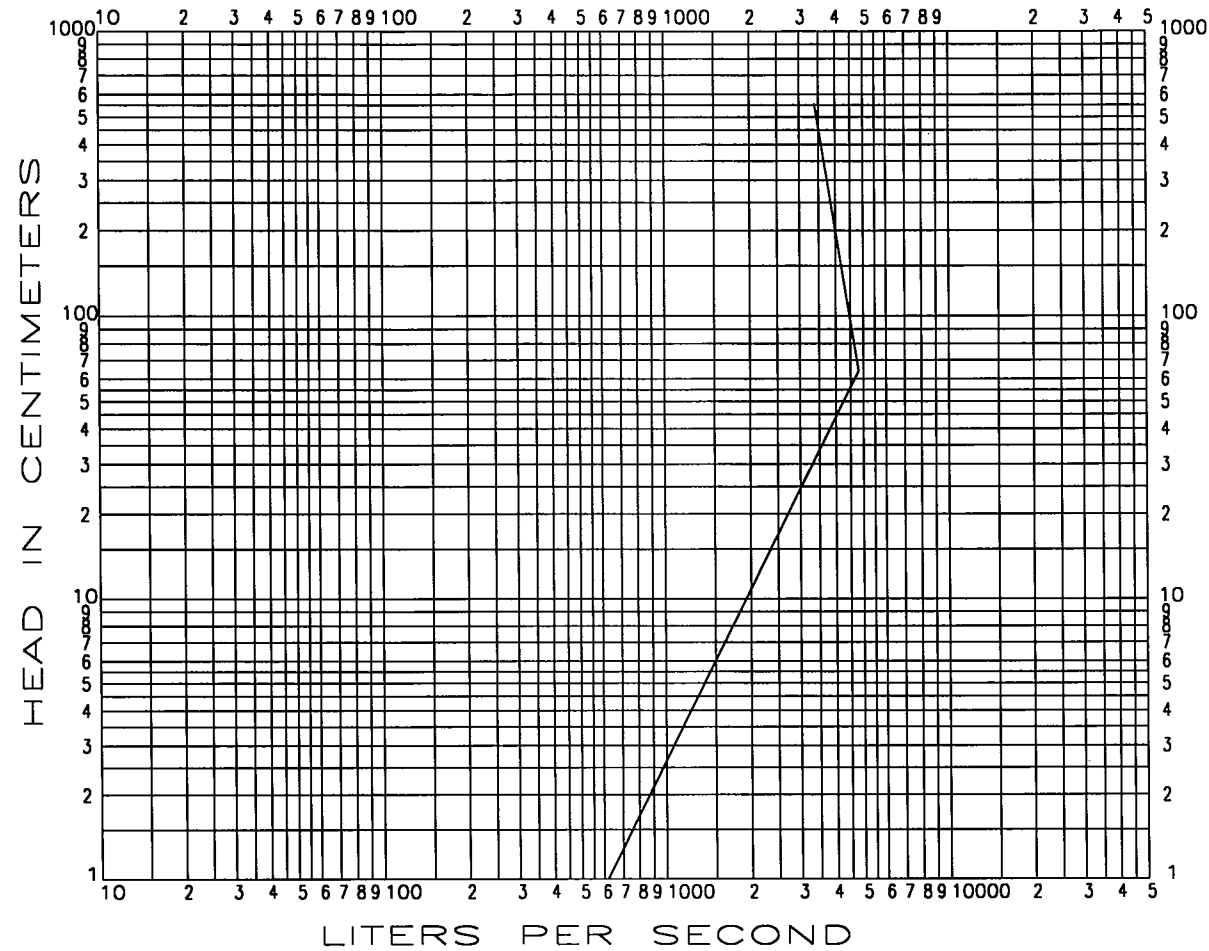


GATE SHOWN IN CLOSED POSITION

() GATES REQUIRED @

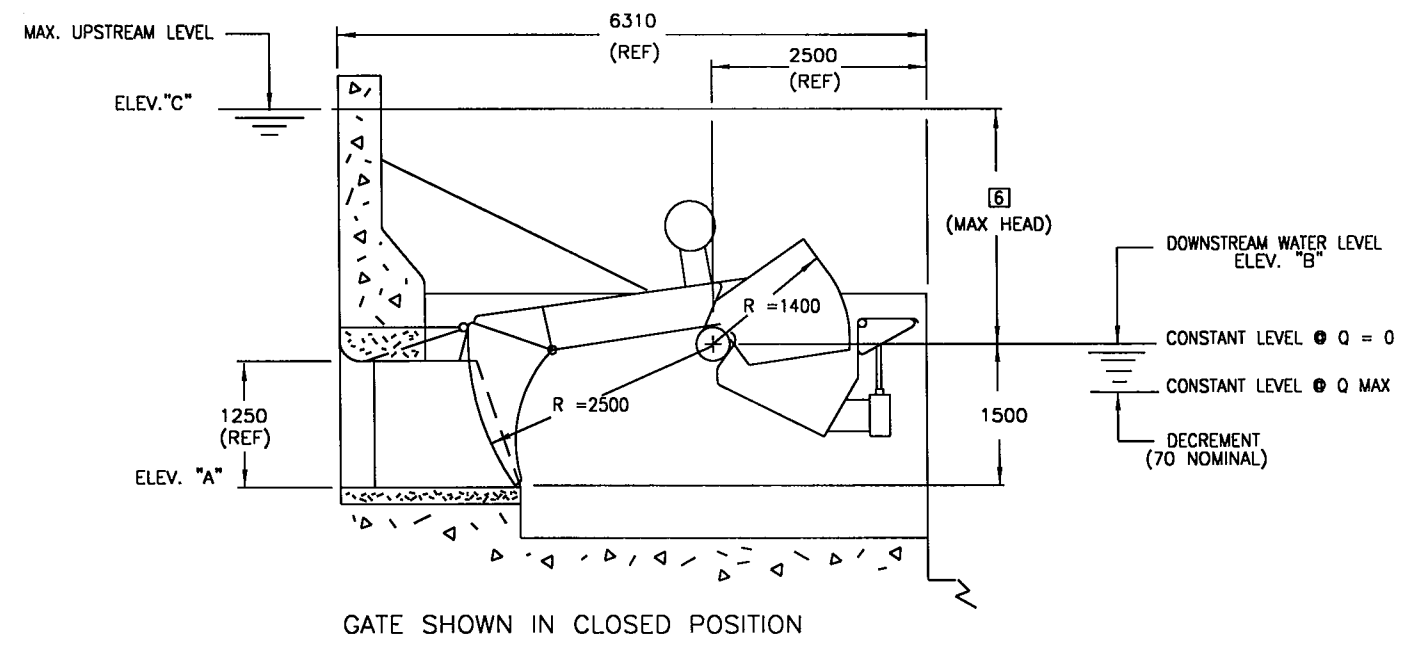
REF PLN SHT

REF:	TYPE B-12 DOWNSTREAM LEVEL CONTROL GATE	FOR:	REV.NO.	DATE	BY	JOB NO.	PROJECT MANAGER
			REV.NO.	DATE	BY	QUOTE NO.	QUOTE ITEM NO.
			REV.NO.	DATE	BY	DRAWN BY	CHECKED BY
			REV.NO.	DATE	BY	SCALE	DATE
			REV.NO.	DATE	BY	NONE	
			REV.NO.	DATE	BY	DRAWING NO.	TYPE-B12M



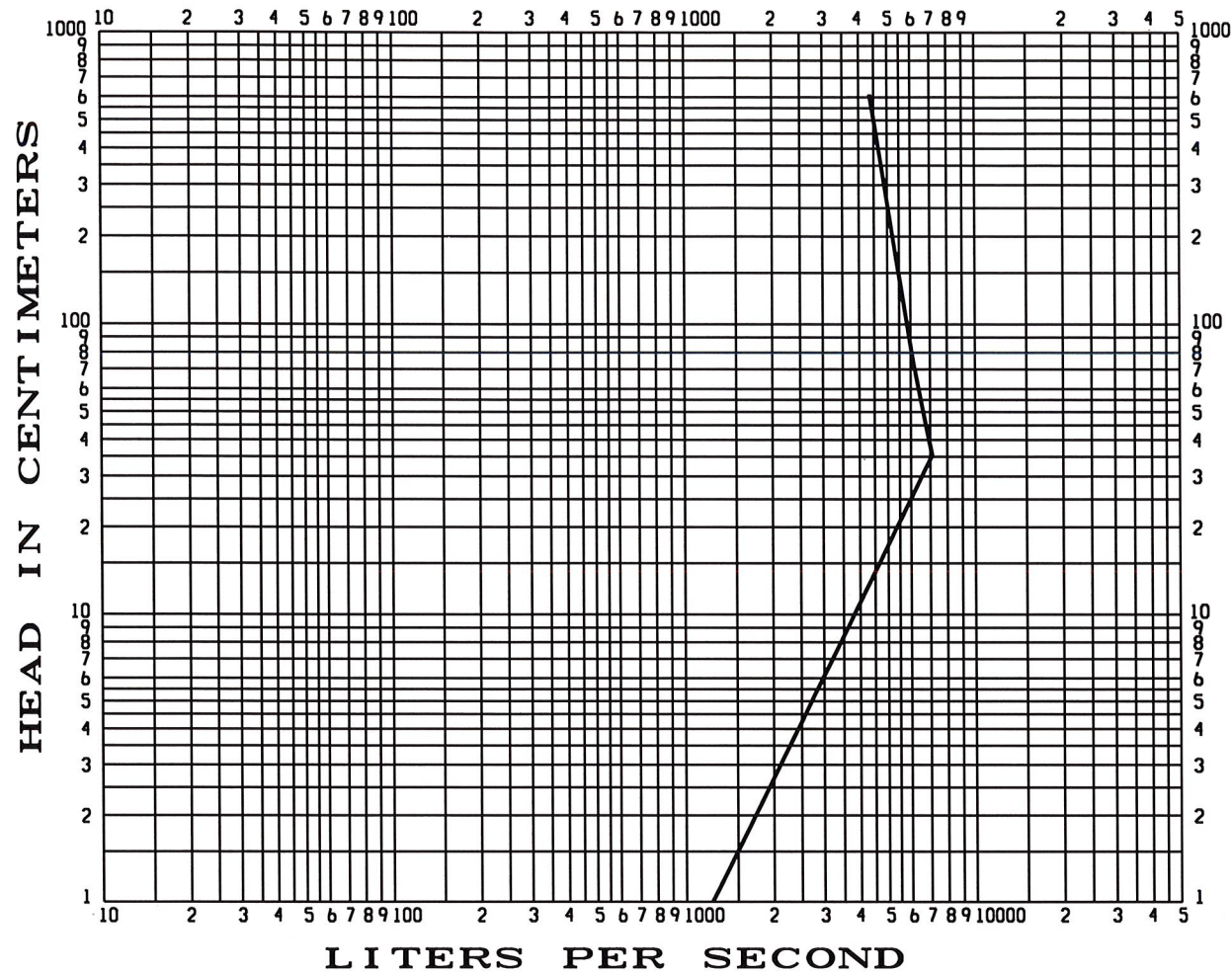
TABULATION BLOCK—ELEVATIONS ARE IN METERS

GATE IDENTIFICATION	ELEV. "A" U.S. INVERT	ELEV. "B" DOWNSTREAM	ELEV. "C" MAX U.S. ELEV.



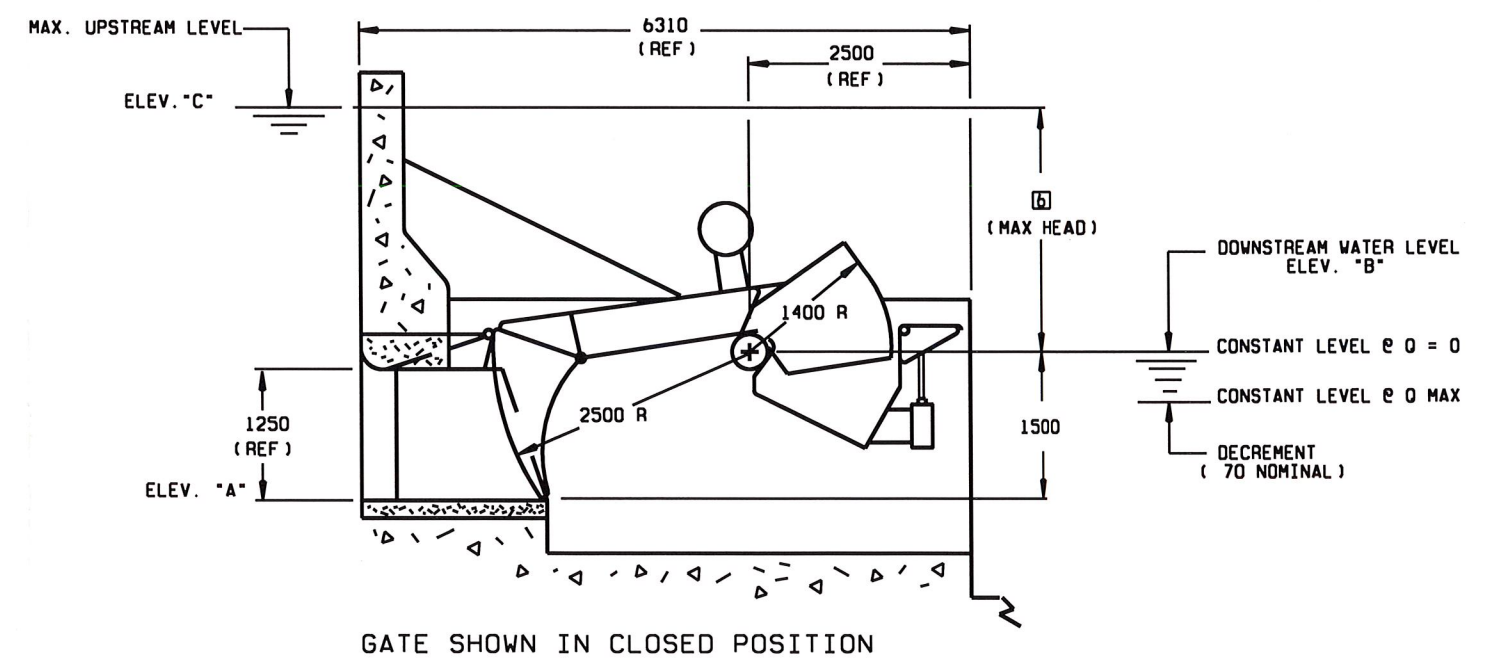
- 6. MAX. HEAD NOT TO EXCEED 560 CM (5.6 M); MAY BE LESS.
 - 5. FINISH: STRUCTURAL STEEL MEMBERS ONLY
 SURFACE PREP: NEAR WHITE BLAST CLEAN PER SSPC-SP10
 PAINT: COAL TAR EPOXY: (1) CT (2 MILS) EPOXY PRIMER PRIME & (2) CTS (8 MILS/CT) COAL TAR EPOXY (TDFT - 18 MILS) COLOR - BLACK
 EXCEPT - SURFACES TO BE EMBEDDED IN CONCRETE MACHINE SURFACES THAT ARE NOT PAINTED SHALL BE MASKED DURING PREPARATION AND BE PROTECTED BY WATER RESISTANT GREASE.
 - 4. MATERIAL a) BASIC GATE - STRUCTURAL STEEL PER ASTM A-36
 b) ASSEMBLY HARDWARE - TYPE 304 STAINLESS STEEL
 - 3. GATE ASSEMBLY, PARTS LIST, CONCRETE STRUCTURE DIMENSIONS, AND ANCHORAGE FOR TYPE B-13 GATE IS SHOWN ON DRAWING 107408 , PAGES 1,2,& 3
 - 2. DIMENSIONS SHOWN IN MILLIMETERS.
 - 1. GATE SHOWN IN CLOSED POSITION.
- NOTES: UNLESS OTHERWISE SPECIFIED.

REF:	<h2 style="margin: 0;">TYPE B-13</h2> <h3 style="margin: 0;">DOWNSTREAM LEVEL</h3> <h3 style="margin: 0;">CONTROL GATE</h3>	FOR:	() GATES REQUIRED ① REF. PLAN SHEET																									
			<table border="1" style="width: 100%; border-collapse: collapse;"> <tr> <td>REV.NO.</td> <td>DATE</td> <td>BY</td> <td>JOB NO.</td> <td>PROJECT MANAGER</td> </tr> <tr> <td>REV.NO.</td> <td>DATE</td> <td>BY</td> <td>QUOTE NO.</td> <td>QUOTE ITEM NO.</td> </tr> <tr> <td>REV.NO.</td> <td>DATE</td> <td>BY</td> <td>DRAWN BY</td> <td>CHECKED BY</td> </tr> <tr> <td>REV.NO.</td> <td>DATE</td> <td>BY</td> <td>SCALE</td> <td>DATE</td> </tr> <tr> <td>REV.NO.</td> <td>DATE</td> <td>BY</td> <td>DRAWING NO.</td> <td>FILENAME:TYPE-B13M</td> </tr> </table>	REV.NO.	DATE	BY	JOB NO.	PROJECT MANAGER	REV.NO.	DATE	BY	QUOTE NO.	QUOTE ITEM NO.	REV.NO.	DATE	BY	DRAWN BY	CHECKED BY	REV.NO.	DATE	BY	SCALE	DATE	REV.NO.	DATE	BY	DRAWING NO.	FILENAME:TYPE-B13M
REV.NO.	DATE	BY	JOB NO.	PROJECT MANAGER																								
REV.NO.	DATE	BY	QUOTE NO.	QUOTE ITEM NO.																								
REV.NO.	DATE	BY	DRAWN BY	CHECKED BY																								
REV.NO.	DATE	BY	SCALE	DATE																								
REV.NO.	DATE	BY	DRAWING NO.	FILENAME:TYPE-B13M																								
		INDUSTRIES INC. EXETER, CALIFORNIA 93221																										



TABULATION BLOCK - ELEVATIONS ARE IN METERS

GATE IDENTIFICATION	ELEV. "A" U.S. INVERT	ELEV. "B" D.S. LEVEL	ELEV. "C" MAX W.S. ELEV.	ELEV. "D" MIN W.S. ELEV.



- 6. MAX. HEAD NOT TO EXCEED 280 CM (2.8 M); MAY BE LESS.
 - 5. FINISH: STRUCTURAL STEEL MEMBERS ONLY
SURFACE PREP: NEAR WHITE BLAST CLEAN PER SSPC-SP10

PAINT: COAL TAR EPOXY: (1) CT (2 MILS) EPOXY PRIMER PRIME & (2) CTS (8 MILS/CT) COAL TAR EPOXY (TDFT - 18 MILS) COLOR - BLACK

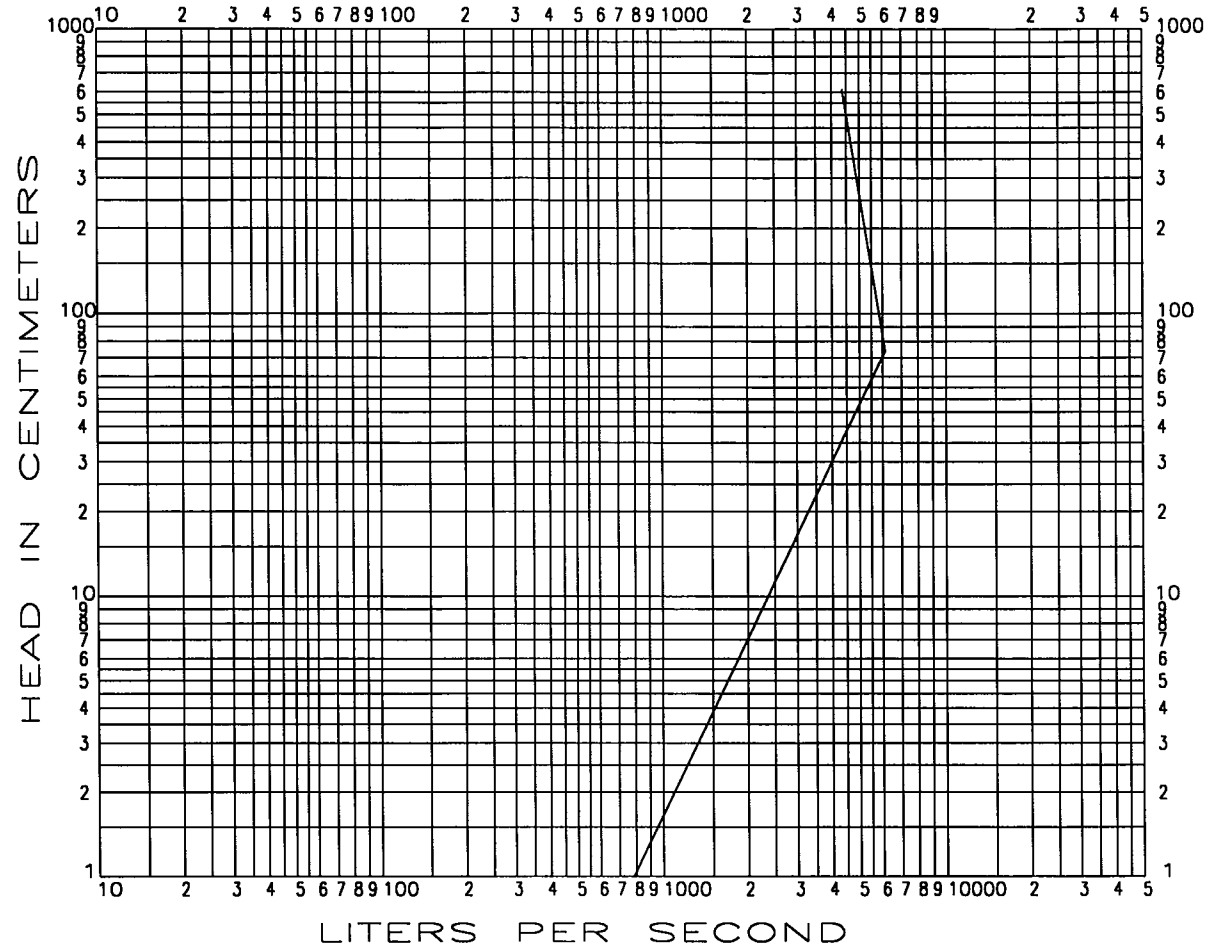
EXCEPT - SURFACES TO BE EMBEDDED IN CONCRETE MACHINE SURFACES THAT ARE NOT PAINTED SHALL BE MASKED DURING PREPARATION AND BE PROTECTED BY WATER RESISTANT GREASE.
 - 4. MATERIAL a) BASIC GATE - STRUCTURAL STEEL PER ASTM A-36
b) ASSEMBLY HARDWARE - TYPE 304 STAINLESS STEEL
 - 3. GATE ASSEMBLY, PARTS LIST, CONCRETE STRUCTURE DIMENSIONS, AND ANCHORAGE FOR TYPE B-14 GATE IS SHOWN ON DRAWING 107027, PAGES 1, 2, & 3
 - 2. DIMENSIONS SHOWN IN MILLIMETERS.
 - 1. GATE SHOWN IN CLOSED POSITION.
- NOTES: UNLESS OTHERWISE SPECIFIED.

() GATES REQUIRED @ REF PLN SHT

REF:	TYPE B-14 DOWNSTREAM LEVEL CONTROL GATE	FOR:	REV. NO.	DATE	BY	JOB NO.	PROJECT MANAGER
			REV. NO.	DATE	BY	QUOTE NO.	QUOTE ITEM NO.
			REV. NO.	DATE	BY	DRAWN BY	CHECKED BY
			REV. NO.	DATE	BY	SCALE	DATE
			REV. NO.	DATE	BY	DRAWING NO.	FILE: TYPEB14M

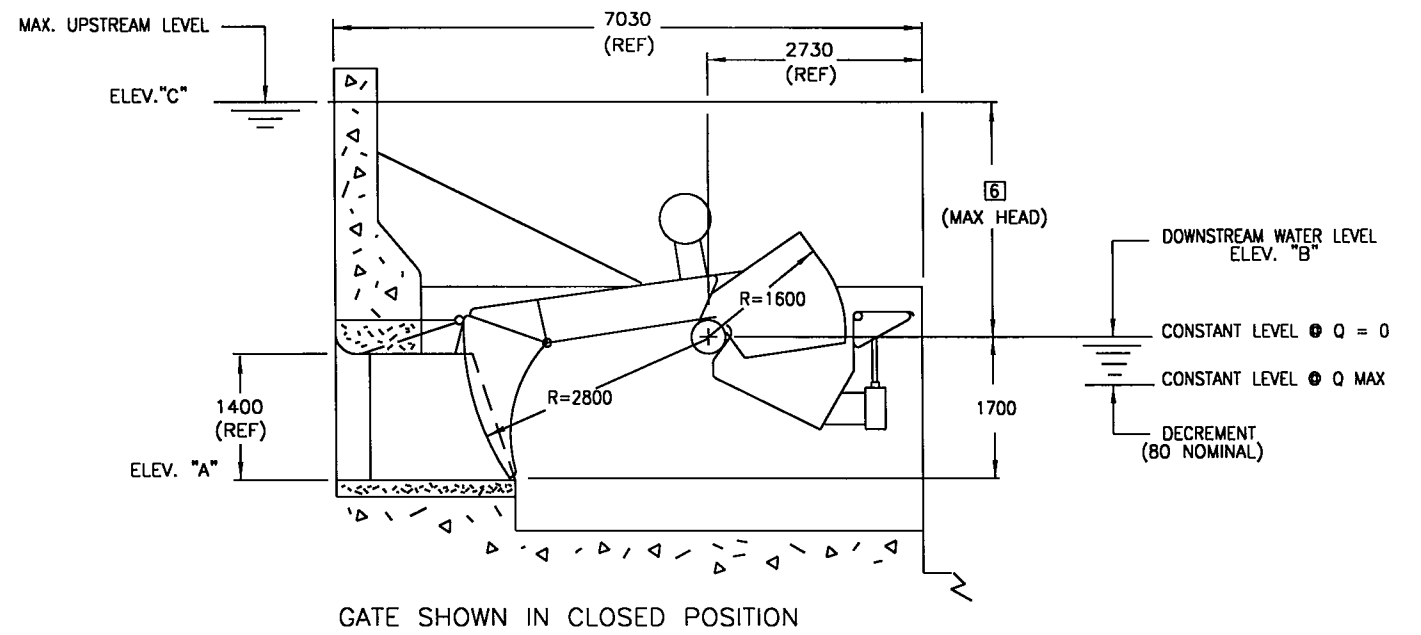


INDUSTRIES INC. EXETER, CALIFORNIA 93221



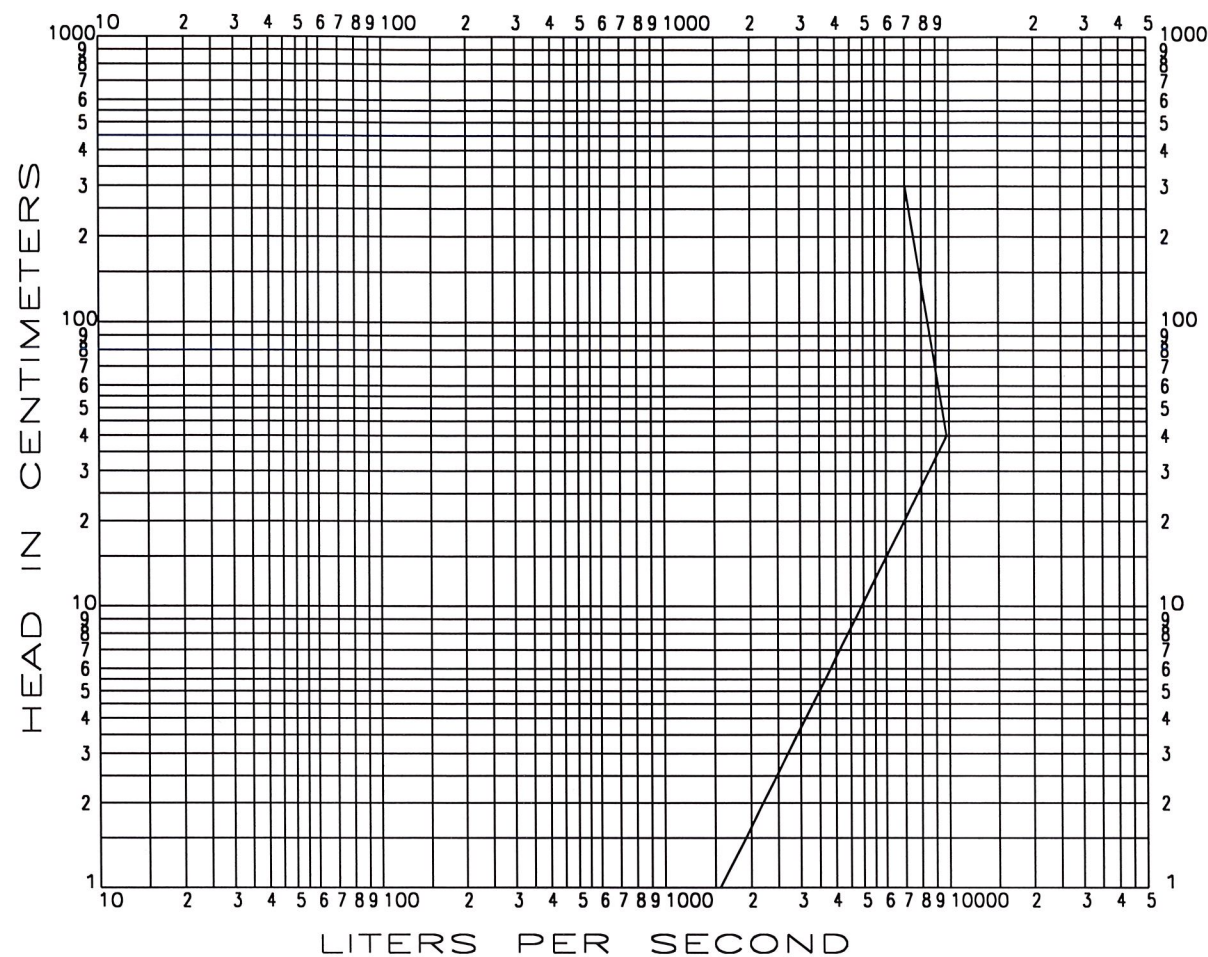
TABULATION BLOCK—ELEVATIONS ARE IN METERS

GATE IDENTIFICATION	ELEV. "A" U.S. INVERT	ELEV. "B" DOWNSTREAM	ELEV. "C" MAX U.S. ELEV.



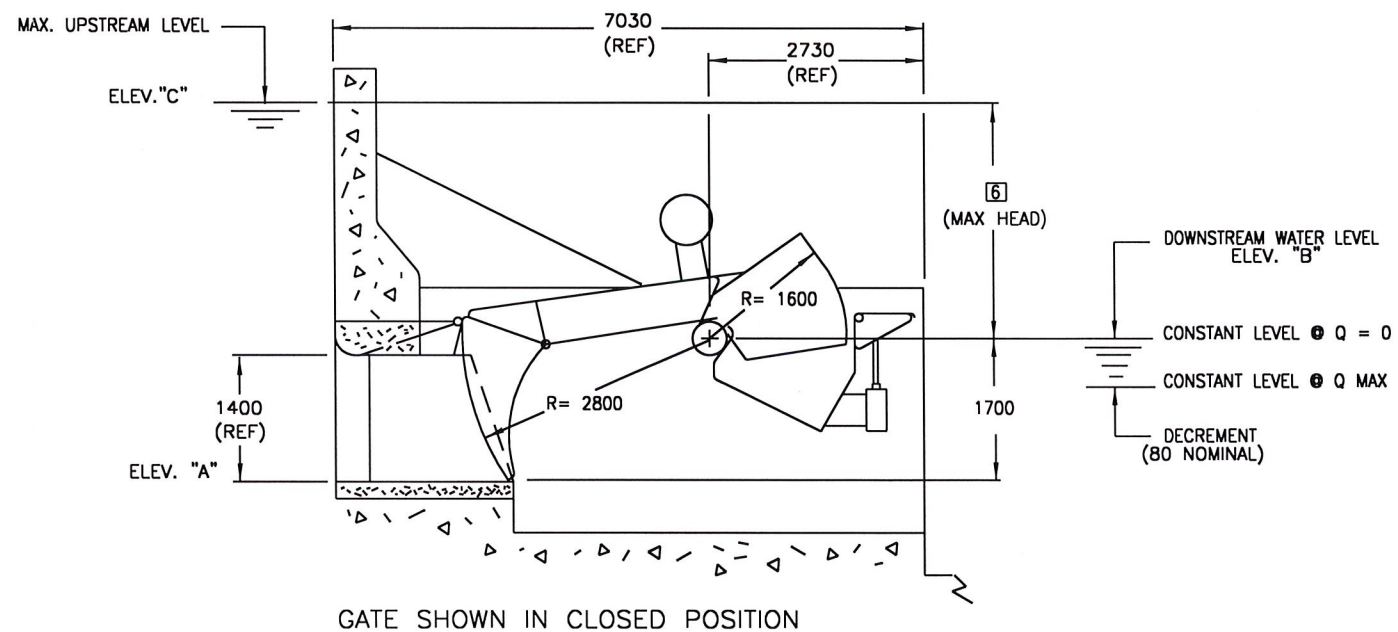
- 5. FINISH: STRUCTURAL STEEL MEMBERS ONLY
SURFACE PREP: NEAR WHITE BLAST CLEAN PER SSPC-SP10
PAINT: COAL TAR EPOXY: (1) CT (2 MILS) EPOXY PRIMER PRIME & (2) CTS (8 MILS/CT) COAL TAR EPOXY (TDFT - 18 MILS) COLOR - BLACK
EXCEPT - SURFACES TO BE EMBEDDED IN CONCRETE MACHINE SURFACES THAT ARE NOT PAINTED SHALL BE MASKED DURING PREPARATION AND BE PROTECTED BY WATER RESISTANT GREASE.
 - 4. MATERIAL o) BASIC GATE - STRUCTURAL STEEL PER ASTM A-36
b) ASSEMBLY HARDWARE - TYPE 304 STAINLESS STEEL
 - 3. GATE ASSEMBLY, PARTS LIST, CONCRETE STRUCTURE DIMENSIONS, AND ANCHORAGE FOR TYPE B-15 GATE IS SHOWN ON DRAWING 107409 , PAGES 1,2,& 3
 - 2. DIMENSIONS SHOWN IN MILLIMETERS.
 - 1. GATE SHOWN IN CLOSED POSITION.
- NOTES: UNLESS OTHERWISE SPECIFIED.

REF:	TYPE B-15 DOWNSTREAM LEVEL CONTROL GATE	FOR:	() GATES REQUIRED		REF. PLAN SHEET		
			REV.NO.	DATE	BY	JOB NO.	PROJECT MANAGER
			REV.NO.	DATE	BY	QUOTE NO.	QUOTE ITEM NO.
			REV.NO.	DATE	BY	DRAWN BY	CHECKED BY
			REV.NO.	DATE	BY	SCALE NONE	DATE
REV.NO.	DATE	BY	DRAWING NO.	FILENAME:TYPE-B15M			



TABULATION BLOCK—ELEVATIONS ARE IN METERS

GATE IDENTIFICATION	ELEV. "A" U.S. INVERT	ELEV. "B" DOWNSTREAM	ELEV. "C" MAX U.S. ELEV.



6 MAX. HEAD NOT TO EXCEED 315 CM (3.15 M); MAY BE LESS.

5. FINISH: STRUCTURAL STEEL MEMBERS ONLY
SURFACE PREP: NEAR WHITE BLAST CLEAN PER SSPC-SP10

PAINT: COAL TAR EPOXY: (1) CT (2 MILS) EPOXY PRIMER
PRIME & (2) CTS (8 MILS/CT) COAL TAR EPOXY
(TDFT - 18 MILS) COLOR - BLACK

EXCEPT - SURFACES TO BE EMBEDDED IN CONCRETE
MACHINE SURFACES THAT ARE NOT PAINTED SHALL BE MASKED
DURING PREPARATION AND BE PROTECTED BY WATER RESISTANT
GREASE.

4. MATERIAL a) BASIC GATE - STRUCTURAL STEEL PER ASTM A-36
b) ASSEMBLY HARDWARE - TYPE 304 STAINLESS STEEL

3. GATE ASSEMBLY, PARTS LIST, CONCRETE STRUCTURE DIMENSIONS, AND
ANCHORAGE FOR TYPE B-16 GATE IS SHOWN ON DRAWING 106543 , PAGES 1,2,& 3

2. DIMENSIONS SHOWN IN MILLIMETERS.

1. GATE SHOWN IN CLOSED POSITION.

NOTES: UNLESS OTHERWISE SPECIFIED.

() GATES REQUIRED 6

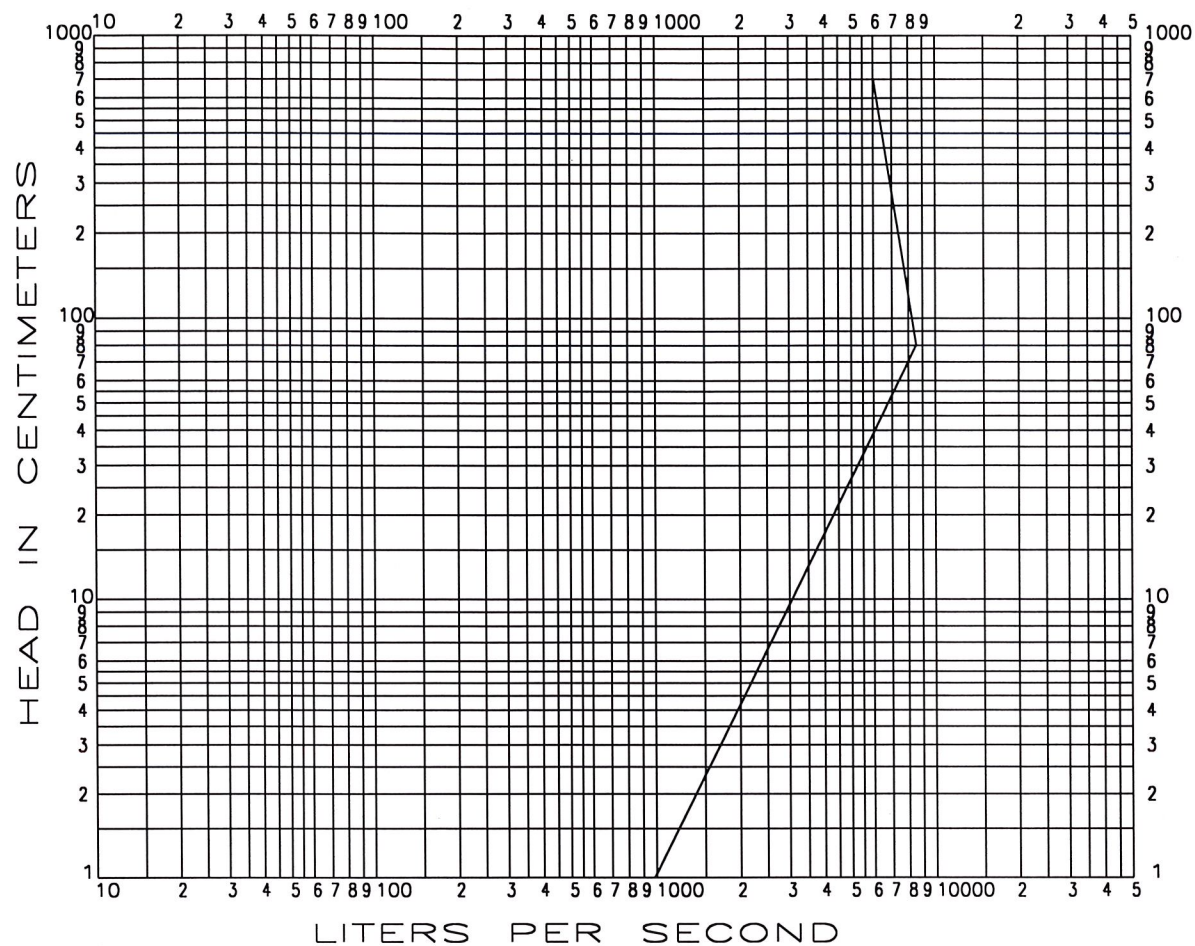
REF. PLAN SHEET

REF:	TYPE B-16 DOWNSTREAM LEVEL CONTROL GATE	FOR:	REV.NO.	DATE	BY	JOB NO.	PROJECT MANAGER
			REV.NO.	DATE	BY	QUOTE NO.	QUOTE ITEM NO.
			REV.NO.	DATE	BY	DRAWN BY	CHECKED BY
			REV.NO.	DATE	BY	SCALE	DATE
			REV.NO.	DATE	BY	DRAWING NO.	DATE
			NONE		DRAWING NO. FILENAME:TYPE-B16M		

WATERMAN

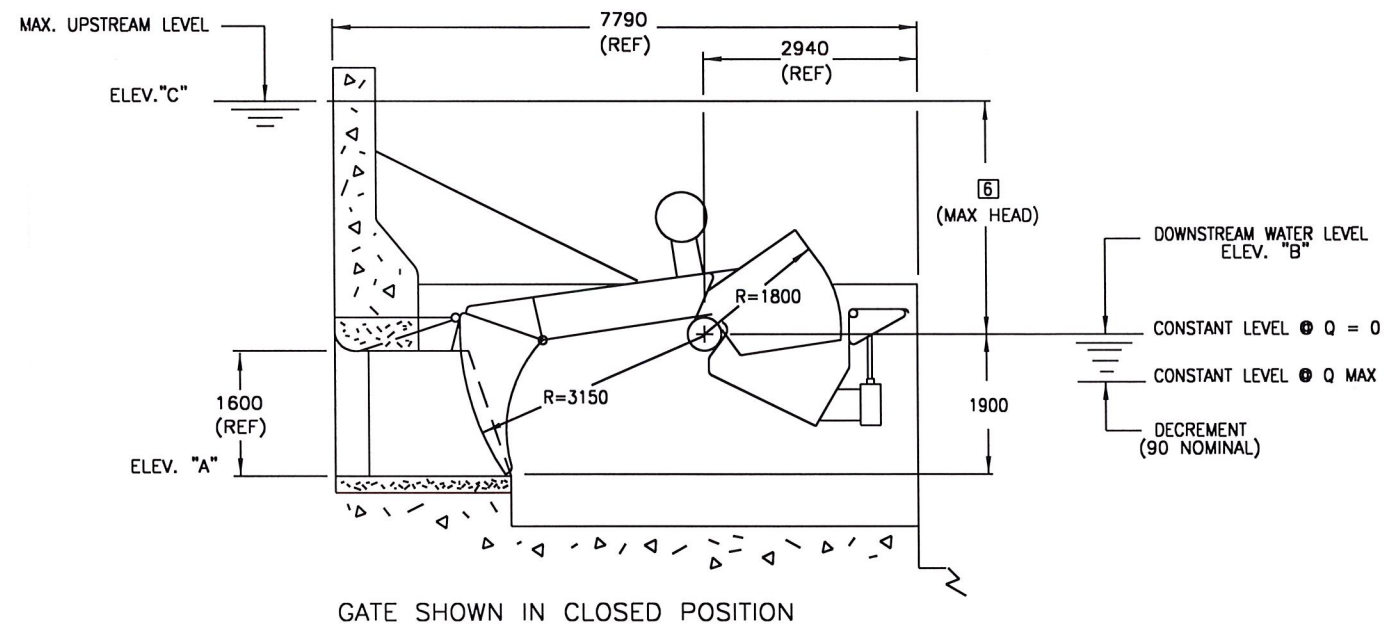
INDUSTRIES INC.

EXETER, CALIFORNIA 93221



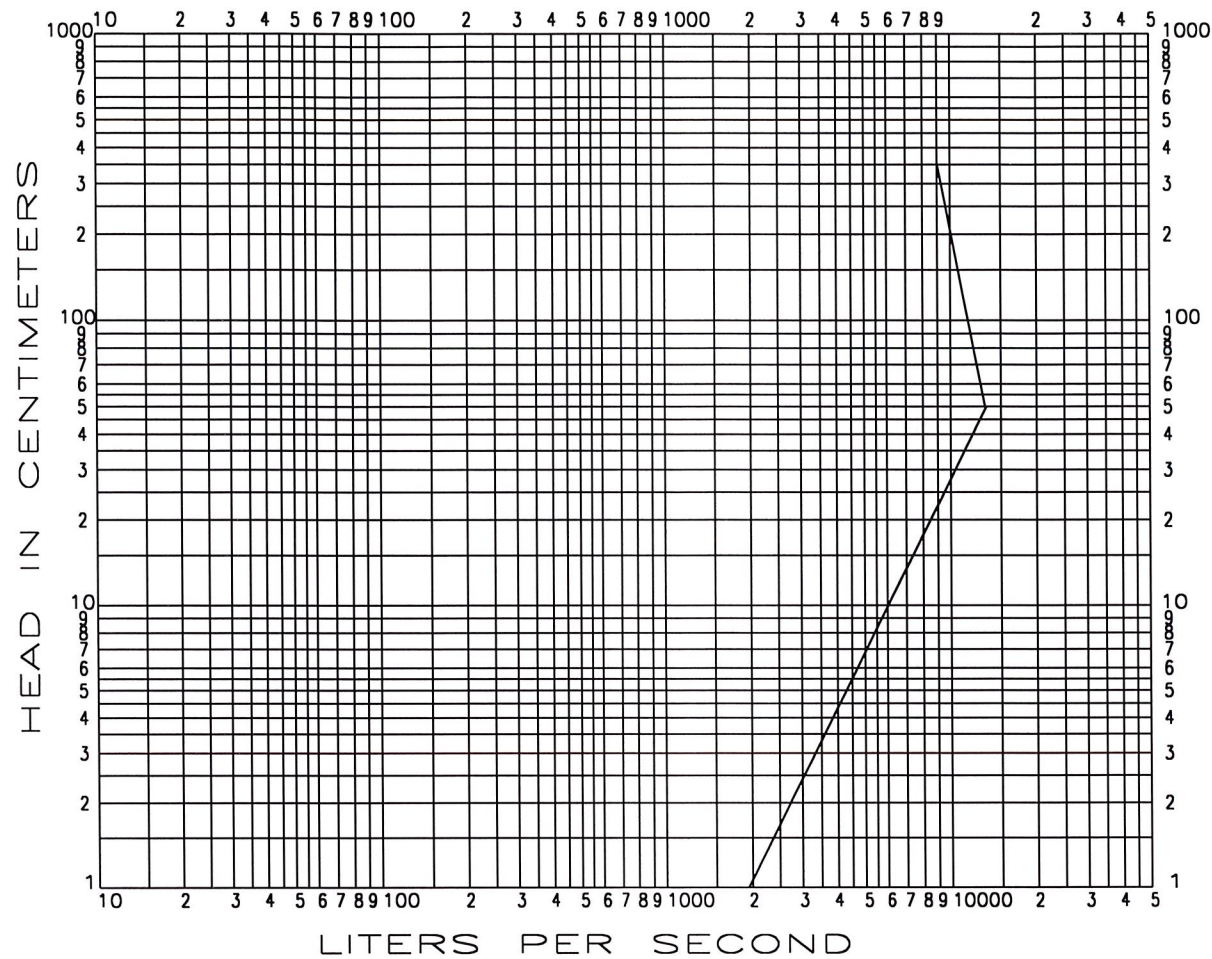
TABULATION BLOCK—ELEVATIONS ARE IN METERS

GATE IDENTIFICATION	ELEV. "A" U.S. INVERT	ELEV. "B" DOWNSTREAM	ELEV. "C" MAX U.S. ELEV.



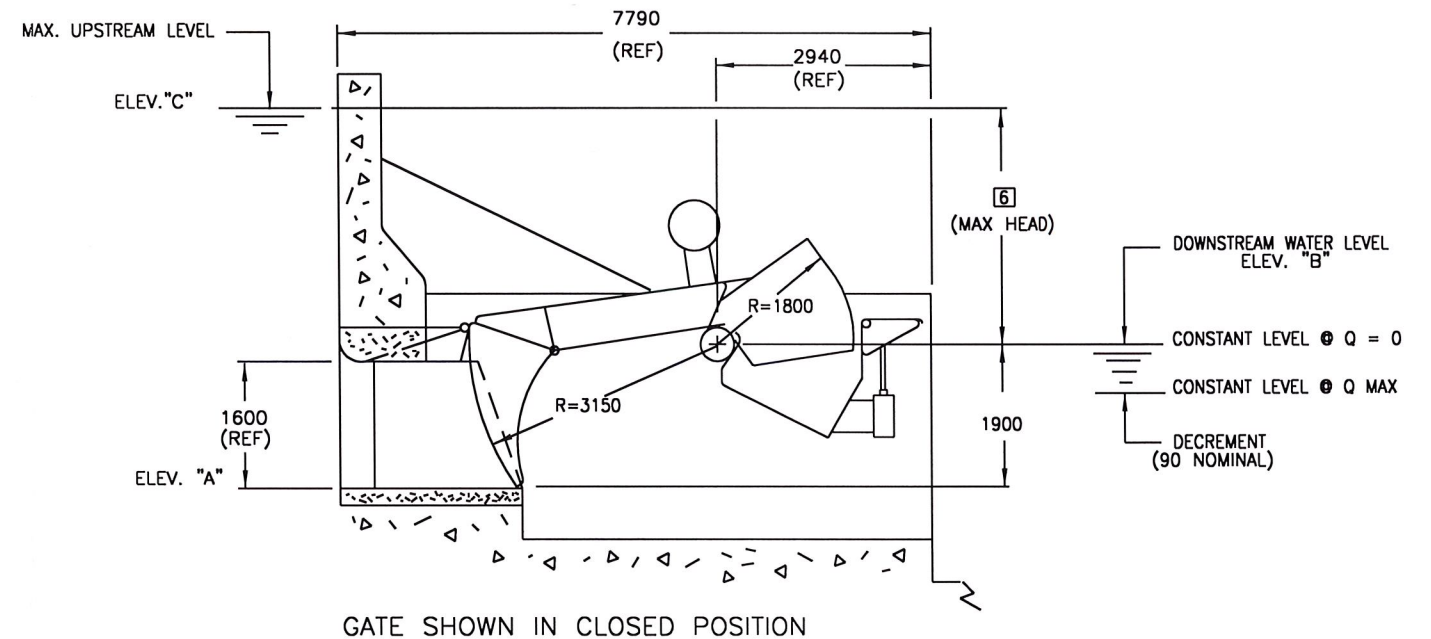
- 6 MAX. HEAD NOT TO EXCEED 710 CM (7.1 M); MAY BE LESS.
 - 5. FINISH: STRUCTURAL STEEL MEMBERS ONLY
 SURFACE PREP: NEAR WHITE BLAST CLEAN PER SSPC-SP10
 PAINT: COAL TAR EPOXY: (1) CT (2 MILS) EPOXY PRIMER PRIME & (2) CTS (8 MILS/CT) COAL TAR EPOXY (TDFT - 18 MILS) COLOR - BLACK
 EXCEPT - SURFACES TO BE EMBEDDED IN CONCRETE. MACHINE SURFACES THAT ARE NOT PAINTED SHALL BE MASKED DURING PREPARATION AND BE PROTECTED BY WATER RESISTANT GREASE.
 - 4. MATERIAL a) BASIC GATE - STRUCTURAL STEEL PER ASTM A-36
 b) ASSEMBLY HARDWARE - TYPE 304 STAINLESS STEEL
 - 3. GATE ASSEMBLY, PARTS LIST, CONCRETE STRUCTURE DIMENSIONS, AND ANCHORAGE FOR TYPE B-17 GATE IS SHOWN ON DRAWING 107410 , PAGES 1,2,& 3
 - 2. DIMENSIONS SHOWN IN MILLIMETERS.
 - 1. GATE SHOWN IN CLOSED POSITION.
- NOTES: UNLESS OTHERWISE SPECIFIED.

REF:	TYPE B-17 DOWNSTREAM LEVEL CONTROL GATE	FOR:	() GATES REQUIRED		REF. PLAN SHEET		
			REV.NO.	DATE	BY	JOB NO.	PROJECT MANAGER
			REV.NO.	DATE	BY	QUOTE NO.	QUOTE ITEM NO.
			REV.NO.	DATE	BY	DRAWN BY	CHECKED BY
			REV.NO.	DATE	BY	SCALE NONE	DATE
			REV.NO.	DATE	BY	DRAWING NO.	FILENAME:TYPE-B17M



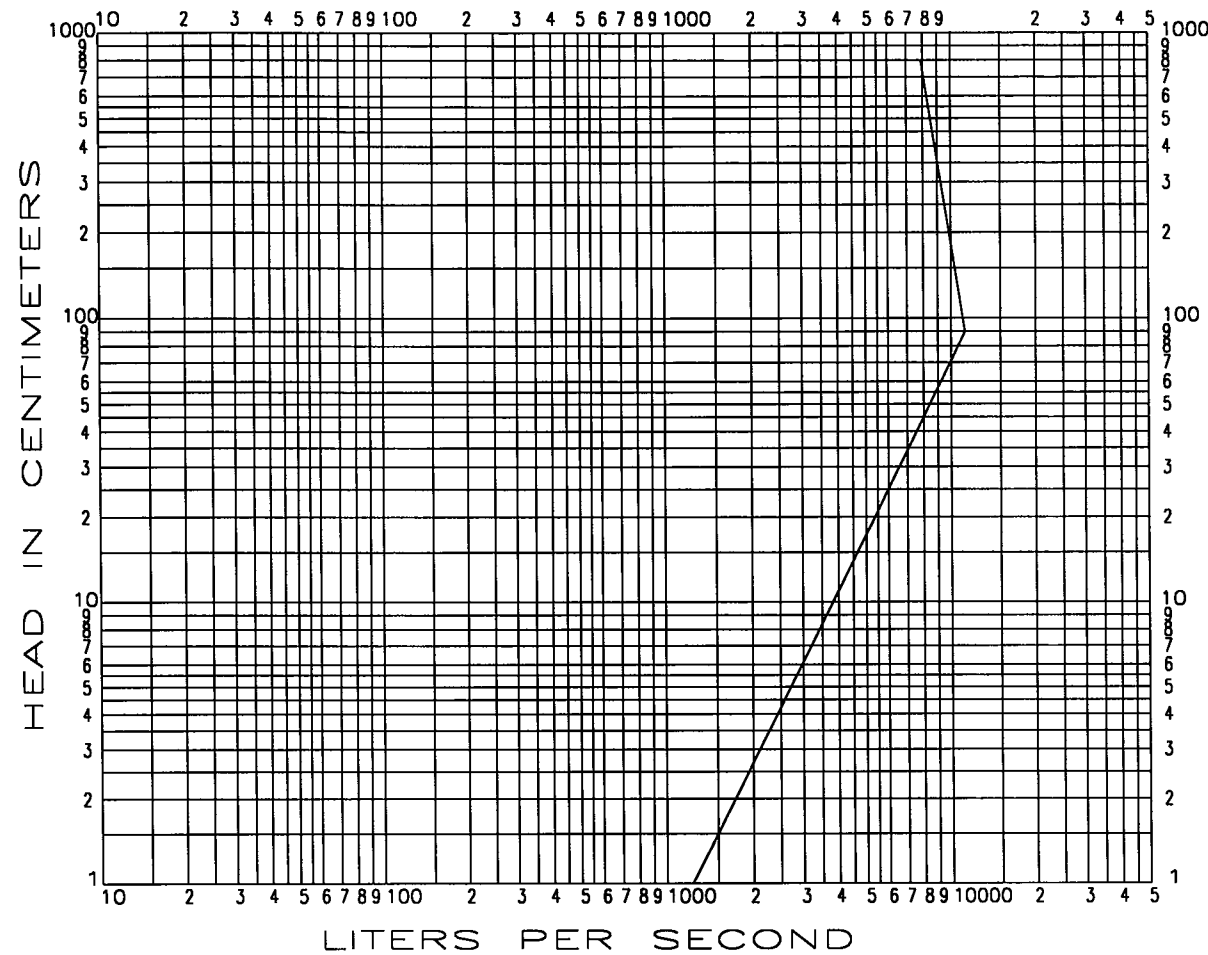
TABULATION BLOCK—ELEVATIONS ARE IN METERS

GATE IDENTIFICATION	ELEV. "A" U.S. INVERT	ELEV. "B" DOWNSTREAM	ELEV. "C" MAX U.S. ELEV.



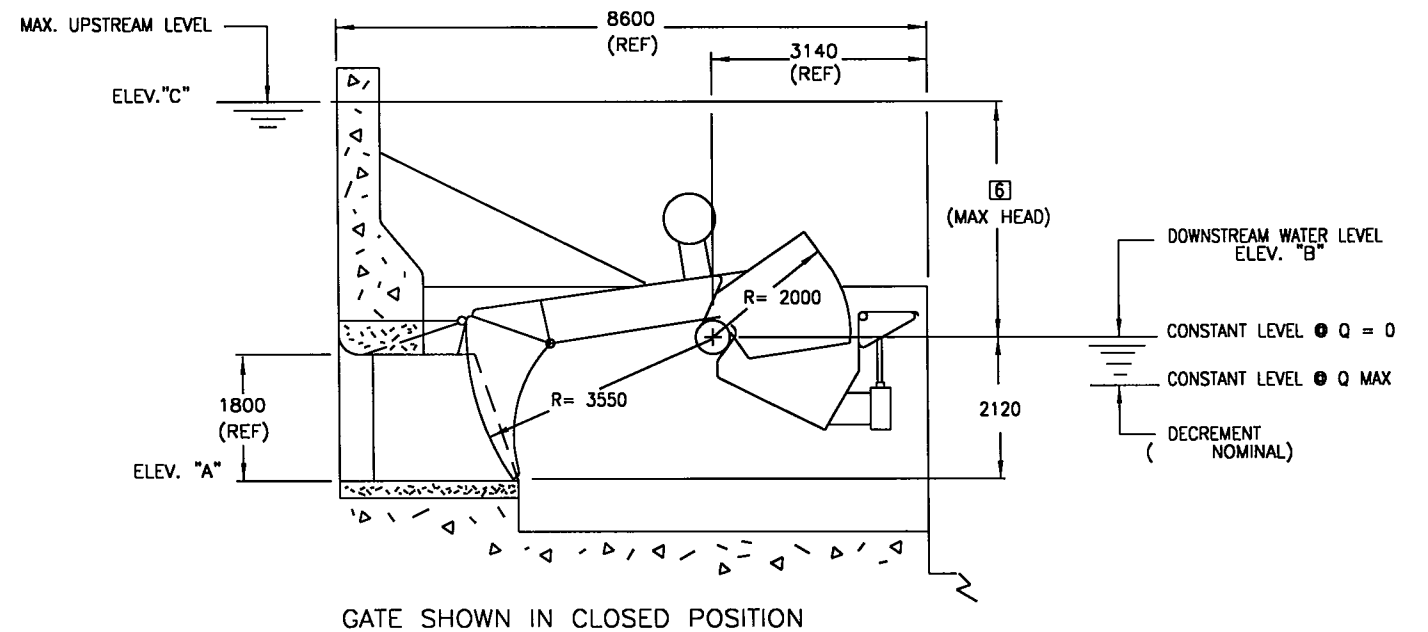
- 6 MAX. HEAD NOT TO EXCEED 355 CM (3.55 M); MAY BE LESS.
 - 5. FINISH: STRUCTURAL STEEL MEMBERS ONLY
 SURFACE PREP: NEAR WHITE BLAST CLEAN PER SSPC-SP10
 PAINT: COAL TAR EPOXY: (1) CT (2 MILS) EPOXY PRIMER PRIME & (2) CTS (8 MILS/CT) COAL TAR EPOXY (TDFT - 18 MILS) COLOR - BLACK
 EXCEPT - SURFACES TO BE EMBEDDED IN CONCRETE MACHINE SURFACES THAT ARE NOT PAINTED SHALL BE MASKED DURING PREPARATION AND BE PROTECTED BY WATER RESISTANT GREASE.
 - 4. MATERIAL a) BASIC GATE - STRUCTURAL STEEL PER ASTM A-36
 b) ASSEMBLY HARDWARE - TYPE 304 STAINLESS STEEL
 - 3. GATE ASSEMBLY, PARTS LIST, CONCRETE STRUCTURE DIMENSIONS, AND ANCHORAGE FOR TYPE B-18 GATE IS SHOWN ON DRAWING 107411, PAGES 1,2,& 3
 - 2. DIMENSIONS SHOWN IN MILLIMETERS.
 - 1. GATE SHOWN IN CLOSED POSITION.
- NOTES: UNLESS OTHERWISE SPECIFIED.

REF:	TYPE B-18 DOWNSTREAM LEVEL CONTROL GATE	FOR:	() GATES REQUIRED		REF. PLAN SHEET		
			REV.NO.	DATE	BY	JOB NO.	PROJECT MANAGER
			REV.NO.	DATE	BY	QUOTE NO.	QUOTE ITEM NO.
			REV.NO.	DATE	BY	DRAWN BY	CHECKED BY
			REV.NO.	DATE	BY	SCALE NONE	DATE
REV.NO.	DATE	BY	DRAWING NO.	FILENAME:TYPE-B18M			



TABULATION BLOCK—ELEVATIONS ARE IN METERS

GATE IDENTIFICATION	ELEV. "A" U.S. INVERT	ELEV. "B" DOWNSTREAM	ELEV. "C" MAX U.S. ELEV.



- 6 MAX. HEAD NOT TO EXCEED 800 CM (8.0 M); MAY BE LESS.
 - 5. FINISH: STRUCTURAL STEEL MEMBERS ONLY
 SURFACE PREP: NEAR WHITE BLAST CLEAN PER SSPC-SP10
 PAINT: COAL TAR EPOXY: (1) CT (2 MILS) EPOXY PRIMER PRIME & (2) CTS (8 MILS/CT) COAL TAR EPOXY (TDFT - 18 MILS) COLOR - BLACK
 EXCEPT - SURFACES TO BE EMBEDDED IN CONCRETE MACHINE SURFACES THAT ARE NOT PAINTED SHALL BE MASKED DURING PREPARATION AND BE PROTECTED BY WATER RESISTANT GREASE.
 - 4. MATERIAL a) BASIC GATE - STRUCTURAL STEEL PER ASTM A-36
 b) ASSEMBLY HARDWARE - TYPE 304 STAINLESS STEEL
 - 3. GATE ASSEMBLY, PARTS LIST, CONCRETE STRUCTURE DIMENSIONS, AND ANCHORAGE FOR TYPE B-19 GATE IS SHOWN ON DRAWING 106826 , PAGES 1,2,& 3
 - 2. DIMENSIONS SHOWN IN MILLIMETERS.
 - 1. GATE SHOWN IN CLOSED POSITION.
- NOTES: UNLESS OTHERWISE SPECIFIED.

() GATES REQUIRED

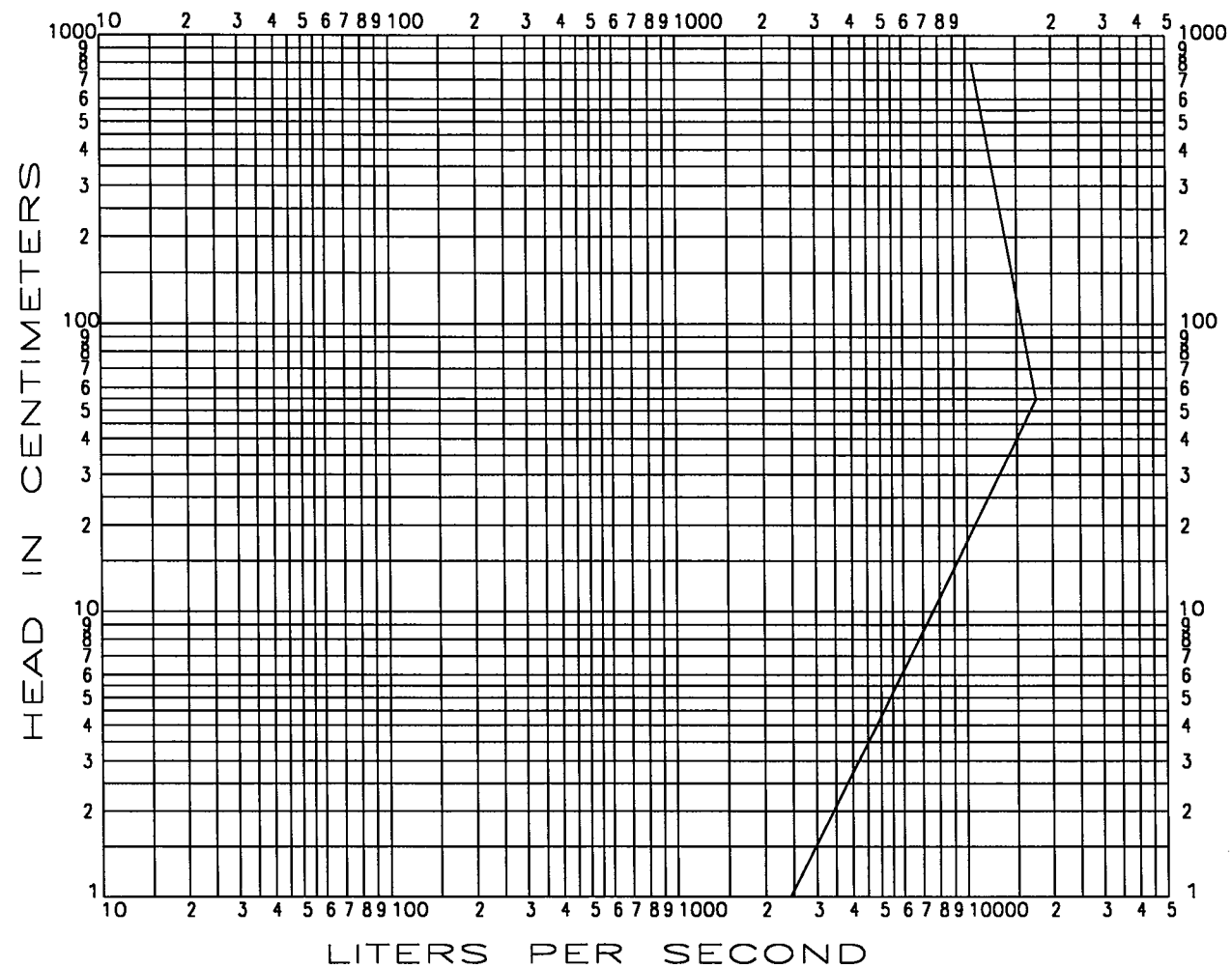
REF. PLAN SHEET

REF:	TYPE B-19 DOWNSTREAM LEVEL CONTROL GATE	FOR:	REV.NO.	DATE	BY	JOB NO.	PROJECT MANAGER
			REV.NO.	DATE	BY	QUOTE NO.	QUOTE ITEM NO.
			REV.NO.	DATE	BY	DRAWN BY	CHECKED BY
			REV.NO.	DATE	BY	SCALE	DATE
			REV.NO.	DATE	BY	DRAWING NO.	FILENAME:TYPE-B19M



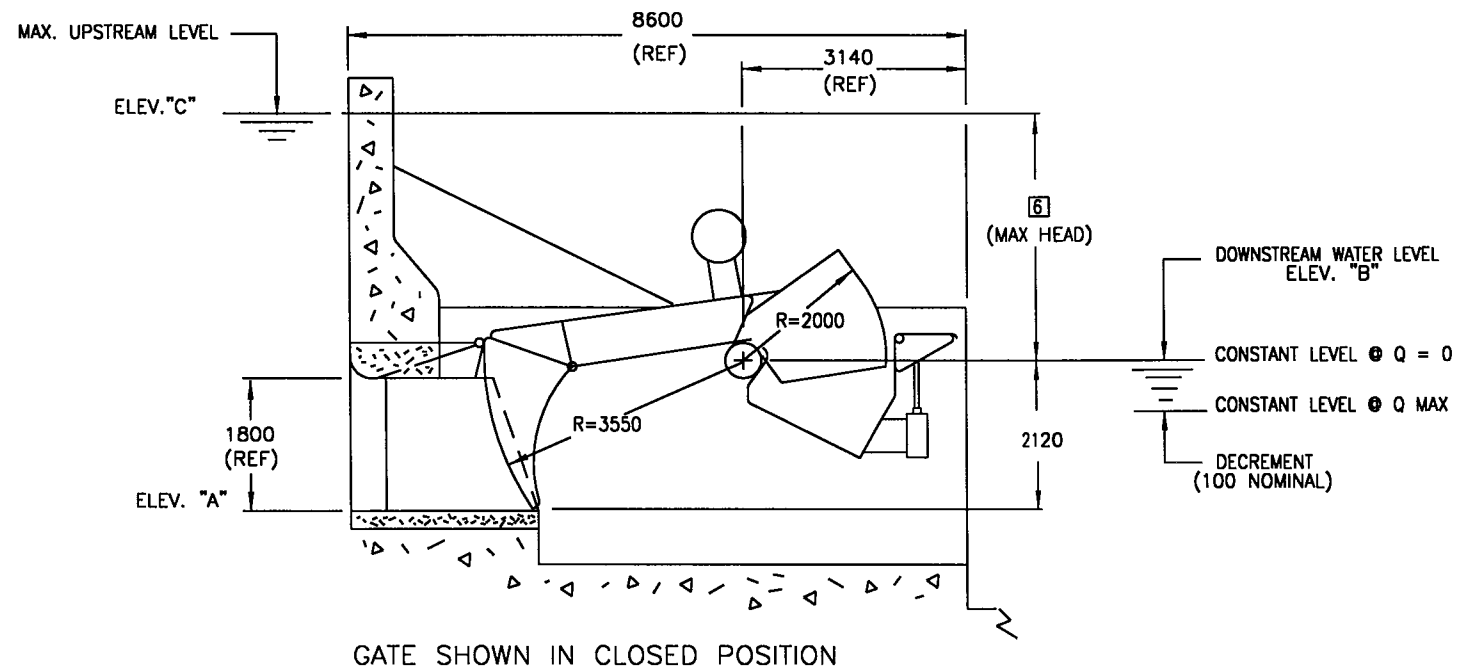
INDUSTRIES INC.

EXETER, CALIFORNIA 93221



TABULATION BLOCK—ELEVATIONS ARE IN METERS

GATE IDENTIFICATION	ELEV. "A" U.S. INVERT	ELEV. "B" DOWNSTREAM	ELEV. "C" MAX U.S. ELEV.



- 6. MAX. HEAD NOT TO EXCEED 400 CM (4.0 M); MAY BE LESS.
 - 5. FINISH: STRUCTURAL STEEL MEMBERS ONLY
 SURFACE PREP: NEAR WHITE BLAST CLEAN PER SSPC-SP10

 PAINT: COAL TAR EPOXY: (1) CT (2 MILS) EPOXY PRIMER PRIME & (2) CTS (8 MILS/CT) COAL TAR EPOXY (TDFT - 18 MILS) COLOR - BLACK

 EXCEPT - SURFACES TO BE EMBEDDED IN CONCRETE MACHINE SURFACES THAT ARE NOT PAINTED SHALL BE MASKED DURING PREPARATION AND BE PROTECTED BY WATER RESISTANT GREASE.
 - 4. MATERIAL a) BASIC GATE - STRUCTURAL STEEL PER ASTM A-36
 b) ASSEMBLY HARDWARE - TYPE 304 STAINLESS STEEL
 - 3. GATE ASSEMBLY, PARTS LIST, CONCRETE STRUCTURE DIMENSIONS, AND ANCHORAGE FOR TYPE B-20 GATE IS SHOWN ON DRAWING 107412 , PAGES 1,2,& 3
 - 2. DIMENSIONS SHOWN IN MILLIMETERS.
 - 1. GATE SHOWN IN CLOSED POSITION.
- NOTES: UNLESS OTHERWISE SPECIFIED.

REF:	TYPE B-20 DOWNSTREAM LEVEL CONTROL GATE	FOR:	() GATES REQUIRED @			REF. PLAN SHEET		
			REV.NO.	DATE	BY	JOB NO.	PROJECT MANAGER	
			REV.NO.	DATE	BY	QUOTE NO.	QUOTE ITEM NO.	
			REV.NO.	DATE	BY	DRAWN BY	CHECKED BY	
			REV.NO.	DATE	BY	SCALE NONE	DATE	
REV.NO.	DATE	BY	DRAWING NO.	FILENAME:TYPE-B20M				