



# Standard Fabricated Slide Gates Ordering Information

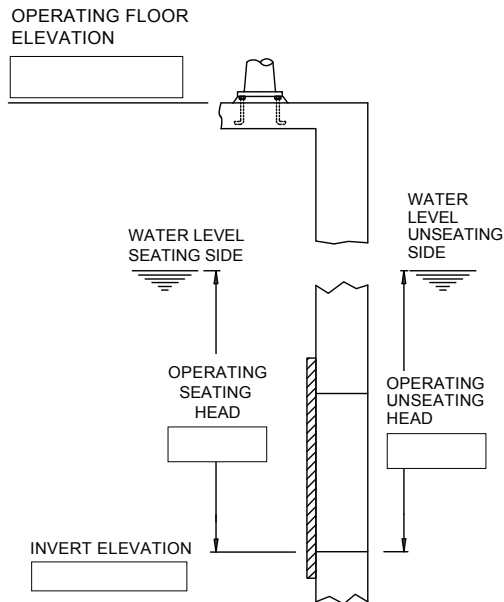
Project Name: \_\_\_\_\_ Project Location: \_\_\_\_\_ Bid Date: \_\_\_\_\_

**1 Gate Information**    Quantity of Gates \_\_\_\_\_    Material  Stainless Steel 316L

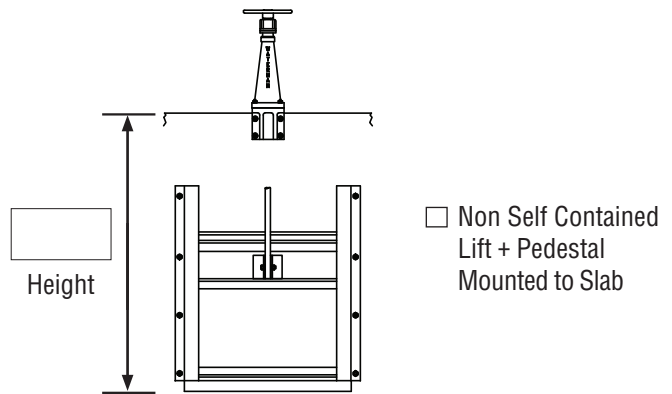
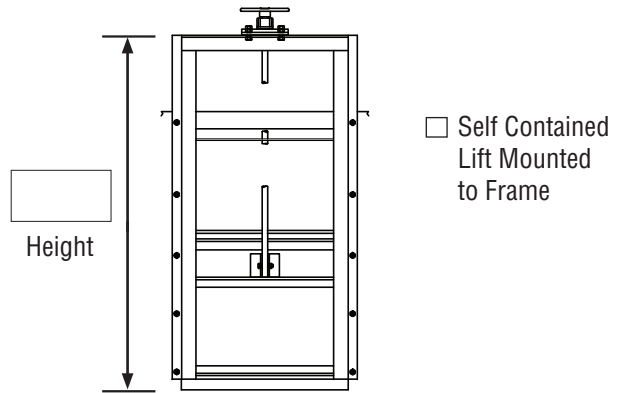
**2 Rectangular Standard Sizes**

- |                                  |                                  |                                  |
|----------------------------------|----------------------------------|----------------------------------|
| <input type="checkbox"/> 6 x 6   | <input type="checkbox"/> 30 x 42 | <input type="checkbox"/> 48 x 42 |
| <input type="checkbox"/> 12 x 12 | <input type="checkbox"/> 30 x 48 | <input type="checkbox"/> 48 x 48 |
| <input type="checkbox"/> 12 x 24 | <input type="checkbox"/> 36 x 30 | <input type="checkbox"/> 48 x 60 |
| <input type="checkbox"/> 18 x 18 | <input type="checkbox"/> 36 x 36 | <input type="checkbox"/> 48 x 72 |
| <input type="checkbox"/> 18 x 24 | <input type="checkbox"/> 36 x 42 | <input type="checkbox"/> 54 x 54 |
| <input type="checkbox"/> 18 x 30 | <input type="checkbox"/> 36 x 48 | <input type="checkbox"/> 60 x 36 |
| <input type="checkbox"/> 21 x 21 | <input type="checkbox"/> 36 x 60 | <input type="checkbox"/> 60 x 42 |
| <input type="checkbox"/> 24 x 24 | <input type="checkbox"/> 42 x 30 | <input type="checkbox"/> 60 x 48 |
| <input type="checkbox"/> 24 x 30 | <input type="checkbox"/> 42 x 36 | <input type="checkbox"/> 60 x 60 |
| <input type="checkbox"/> 24 x 36 | <input type="checkbox"/> 42 x 42 | <input type="checkbox"/> 60 x 72 |
| <input type="checkbox"/> 24 x 48 | <input type="checkbox"/> 42 x 48 | <input type="checkbox"/> 72 x 42 |
| <input type="checkbox"/> 30 x 24 | <input type="checkbox"/> 42 x 60 | <input type="checkbox"/> 72 x 48 |
| <input type="checkbox"/> 30 x 30 | <input type="checkbox"/> 48 x 30 | <input type="checkbox"/> 72 x 60 |
| <input type="checkbox"/> 30 x 36 | <input type="checkbox"/> 48 x 36 | <input type="checkbox"/> 72 x 72 |

**4 Gate Design Requirements**



**3 Mounting and Lift**



**Lift:** Manual handwheel or handcrank will be provided, based on gate dimensions furnished.

**5 Other Gate Information**

- Upward Opening
- Seals:**  3 Sides     4 Sides
- Mounting:**  Headwall

