

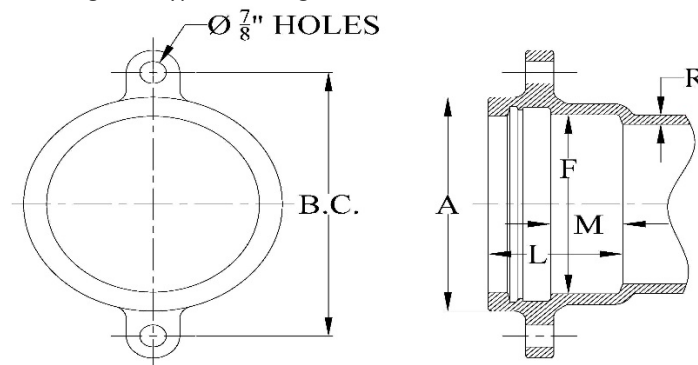
DOMESTIC

NON-DOMESTIC

## SUBMITTAL: C153 UNION-TITE PRODUCT

[\(Current revisions for the noted Standards apply\)](#)

- SIZES:** 4" - 24"
- STANDARDS:** ANSI/AWWA C153/A21.53, NFPA13/24, 4"-12" UL listed & approved (File - Tyler Union)
- MATERIAL:** Cast of ASTM A536 qualified ductile iron. Date code is cast on and required for traceability.
- PRESSURE RATING:** Union-Tite/Push-on Joints 4" – 24" rated at 350 psi. \*Flanged fittings rated at 250 psi.  
\*Note: With rubber annular ring flange gasket, 4" – 24" Flanged fittings can be rated at 350 psi.  
Note: Wyes over 12" are not pressure rated. Contact Tyler Union for rating in your application.
- DEFLECTION:** Joint deflection 5° max for 4"– 12" and 3° max for 14"– 24". Reduces by 50% at nominal pipe & fitting diameters
- NSF-61 & NSF372:** Meets all requirements including Annex G, Tyler Union's Underwriters Laboratory listing MH16439.
- ASPHALT COATING:** Per ANSI/AWWA C104/A21.4 and ANSI/AWWA C153/A21.53.
- CEMENT LINING:** Per ANSI/AWWA C104/A21.4, with double cement lining available upon request.
- EPOXY COATING:** Fusion bonded epoxy per ANSI/AWWA C116/A21.16. Additional coatings available upon request.
- BARE FITTINGS:** Available upon request.
- FASTENERS:** High strength low alloy weathering steel per ANSI/AWWA C111/A21.11 and ASTM A242
- RESTRAINING LUGS:** \*Lugs provided on 16" and smaller fittings. Lug pattern accommodates most grip type restraints.  
\*NOTE: With sufficient lead time to adapt tooling, restraining lugs are available on 18"-24" fittings.
- INSTALLATION:** Install per AWWA C600/C651 using pipe conforming to ANSI/AWWA C151/A21.51 or AWWA C900/905. Designed for use with TYTON® and McWane Sure Stop® gaskets. Contact Tyler Union regarding the installation or use of other gasket types and/or gasket manufacturers.



**NOMINAL JOINT DIMENSIONS IN INCHES**

Size Inches	Pipe Diameter	A Dia.	F Dia.	B.C. Dia.	L Dim.	M Dim.	R Dim.
4	4.80	6.38	5.04	7.88	4.16	2.25	0.35
6	6.90	8.52	7.14	10.50	4.29	2.25	0.37
8	9.05	10.90	9.32	12.88	4.78	2.25	0.39
10	11.10	12.91	11.37	14.69	4.98	2.25	0.41
12	13.20	15.12	13.47	17.19	4.98	2.25	0.43
14	15.30	18.12	15.64	19.00	5.40	2.25	0.51
16	17.40	20.32	17.74	21.40	5.40	2.25	0.52
18	19.50	22.52	19.83	....	5.40	2.25	0.59
20	21.60	24.29	21.94	....	5.40	2.25	0.60
24	25.80	29.14	26.14	....	5.65	2.50	0.62

\*Tyler Union Waterworks Contact Information\*

**Anniston:** (800) 226-7601

**Corona:** (866) 527-8471

**Tyler:** (800) 527-8478